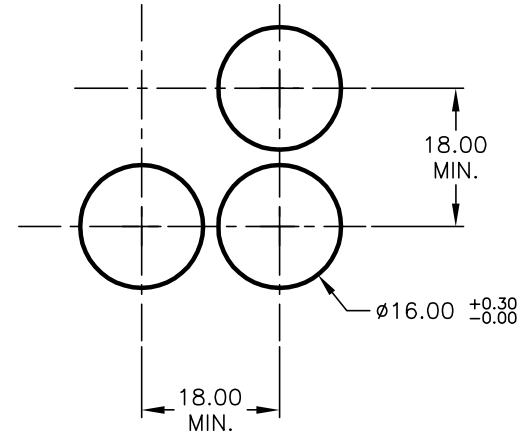


PARTS LIST			
ITEM	QTY.	PART NO.	PART DESCRIPTION
1	1	F040009	D16 OA R1 1
2	1	F050411	50-004-11 (GREEN NEON bulb)
3	1	F051211	50-012-11 (Transparent GREEN)



SPST  
CONTACT CONFIGURATION

NOTES:

1. ALL DIMENSIONS IN MM
2. GENERAL TOLERANCE: X.X=±0.4  
X.XX=±0.25
3. RATINGS: 5A @250V AC;  
8A @125V AC
4. CONTACT MATERIAL:  
COPPER ALLOY W/SILVER PLATING
- ▲ 5. LAMP VOLTAGE: 110V AC NEON
6. ▲ DENOTES CRITICAL PARAMETER.

RECOMMENDED PANEL MOUNTING  
SCALE 1:1

**E-SWITCH®**

A	13483	RELEASED FOR PRODUCTION	9/23/03	AR
REV.	ECN No.	DESCRIPTION	DATE	CHKD

TITLE					D16OAR1FGRNGRN (Momentary)				
SCALE	1.5:1	DATE	9/23/03	DR	AR	DWG	XF0567P	REV	A

THE INFORMATION CONTAINED IN THIS DOCUMENT IS PROPRIETARY TO E-SWITCH AND IS NOT TO BE COPIED OR TRANSFERRED