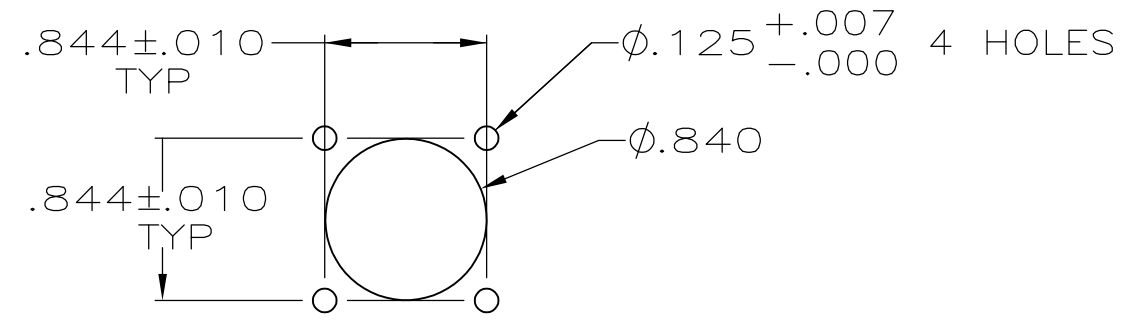
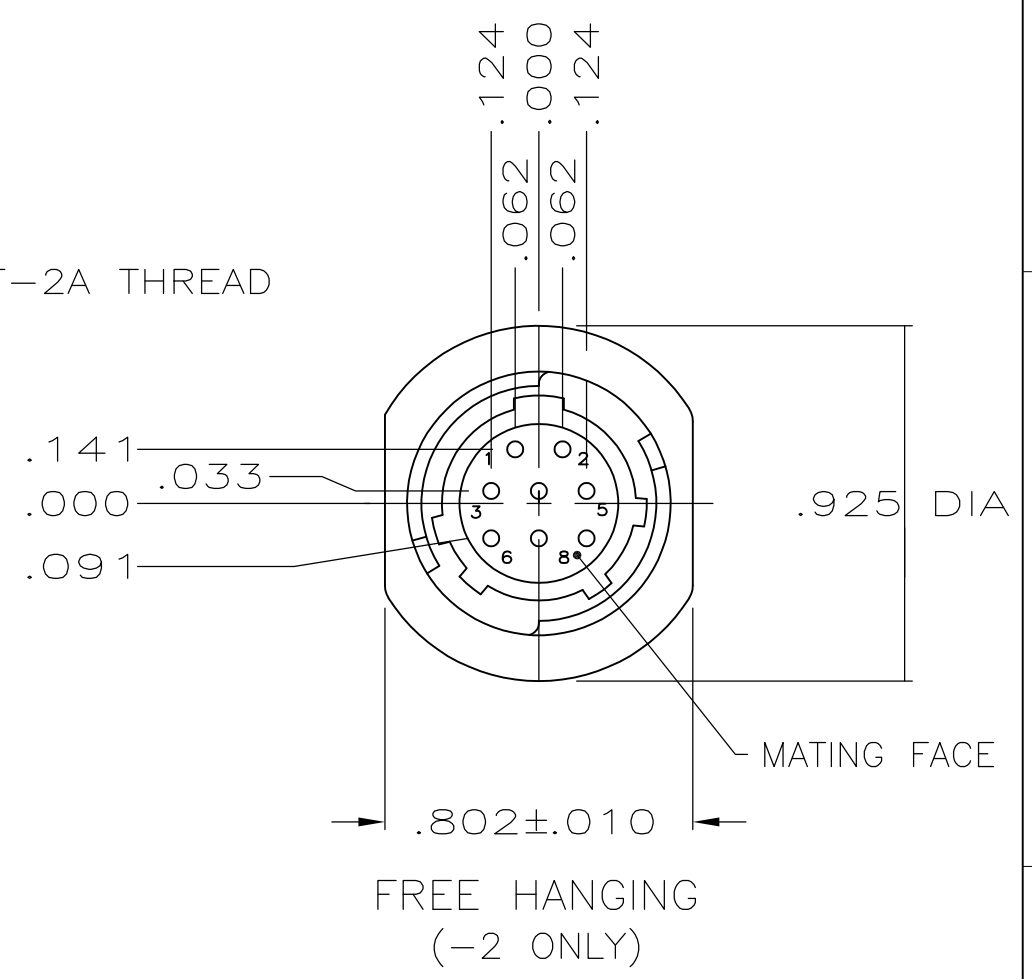
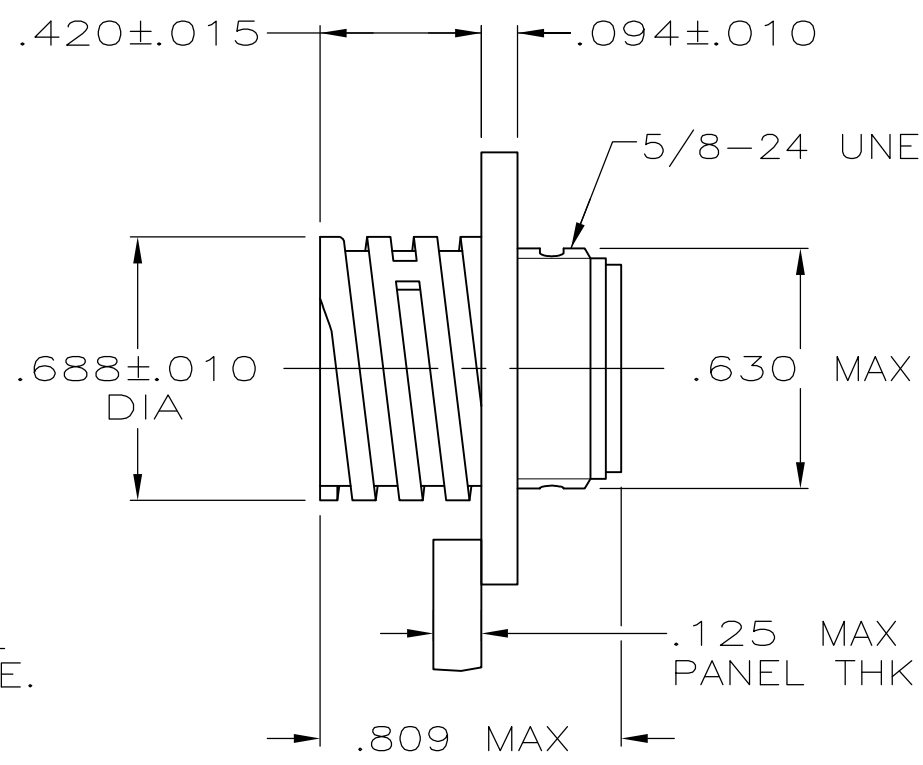
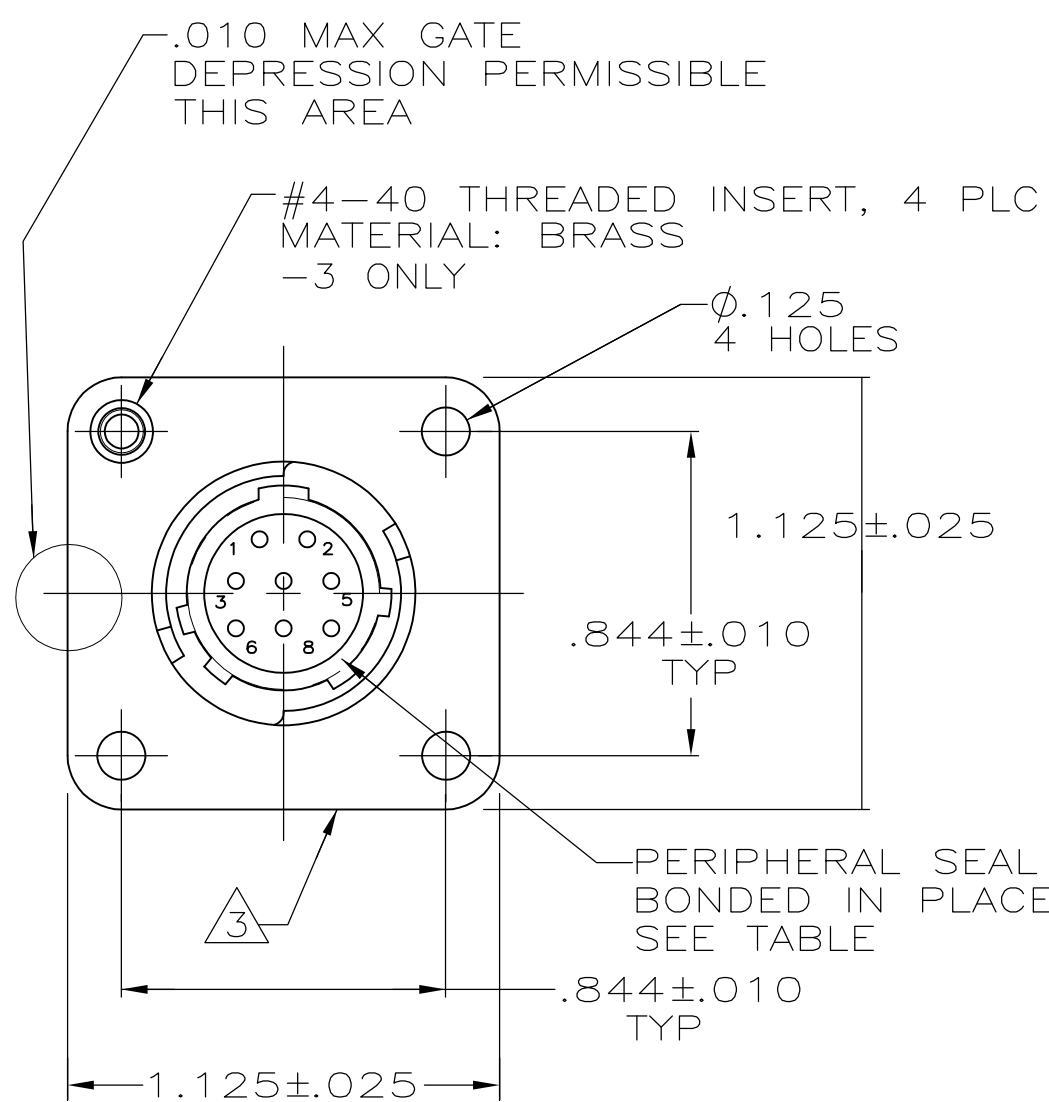


THIS DRAWING IS UNPUBLISHED. RELEASED FOR PUBLICATION
 © COPYRIGHT - By - ALL RIGHTS RESERVED.

| | | | | | | | |
|-----|------|-----------|-----|---------------------------|---------|-----|------|
| LOC | DIST | REVISIONS | | | | | |
| FT | 0 | P | LTR | DESCRIPTION | DATE | DWN | APVD |
| | | | N3 | REVISED PER ECO-13-000444 | 10JAN13 | KH | MZ |



PANEL CUTOUT
SCALE 1:1

| | | | |
|------------|------------------|-----------------|-------------|
| 4 OBSOLETE | YES | YES | 205841-4 |
| | YES | NO | 205841-3 |
| | NO | NO | 205841-2 |
| | NO | NO | 205841-1 |
| | THREADED INSERTS | PERIPHERAL SEAL | PART NUMBER |

- 1 CONTACT CAVITIES IDENTIFIED BY CHARACTERS ON FRONT AND REAR FACES OF CONNECTOR.
- 2 WILL ACCEPT (8) SIZE 20 PIN CONTACTS.
- 3 AMP AND PART NUMBER ON FLANGE EDGE.
- 4 OBSOLETE PARTS: OBSOLETE CIS STREAMLINING PER D.RENAUD/D.SINISI

| | | | | |
|--|--|------------------|--------------------|------------|
| THIS DRAWING IS A CONTROLLED DOCUMENT. | | DWN | A.STAUB BG 4/5/91 | |
| | | CHK | W.G.LENKER 7-24-92 | |
| | | APVD | - | |
| DIMENSIONS: INCHES | | PRODUCT SPEC | | |
| TOLERANCES UNLESS OTHERWISE SPECIFIED: | | 108-10024 | | |
| 0 PLC ± - | | APPLICATION SPEC | | |
| 1 PLC ± - | | - | | |
| 2 PLC ± - | | SIZE | CAGE CODE | DRAWING NO |
| 3 PLC ± .005 | | A3 00779 | | C-205841 |
| 4 PLC ± - | | RESTRICTED TO | | |
| ANGLES ± - | | - | | |
| MATERIAL | | WEIGHT | | |
| THERMOPLASTIC, BLK | | - | | |
| FINISH | | CUSTOMER DRAWING | | |
| - | | SCALE | SHEET | REV |
| | | 2:1 | 1 OF 1 | N3 |



RECEPTACLE ASSEMBLY, STD SEX, SERIES 2, 11-8, CPC