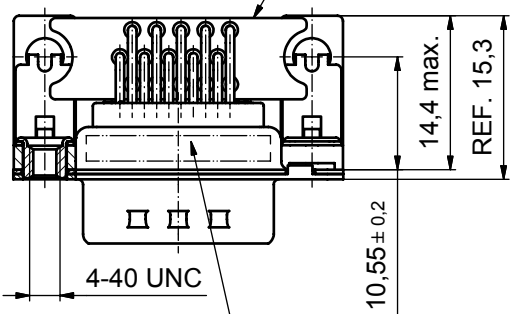
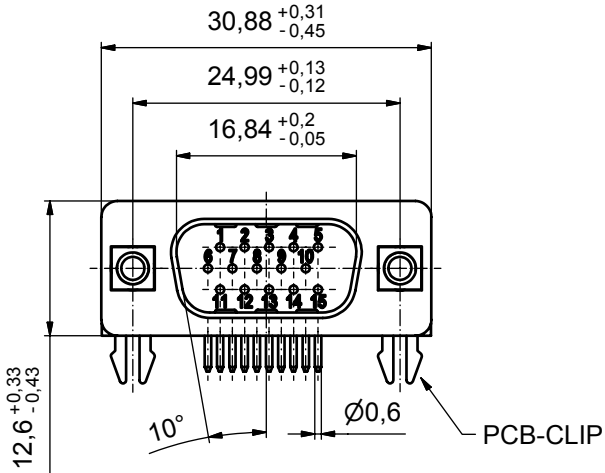
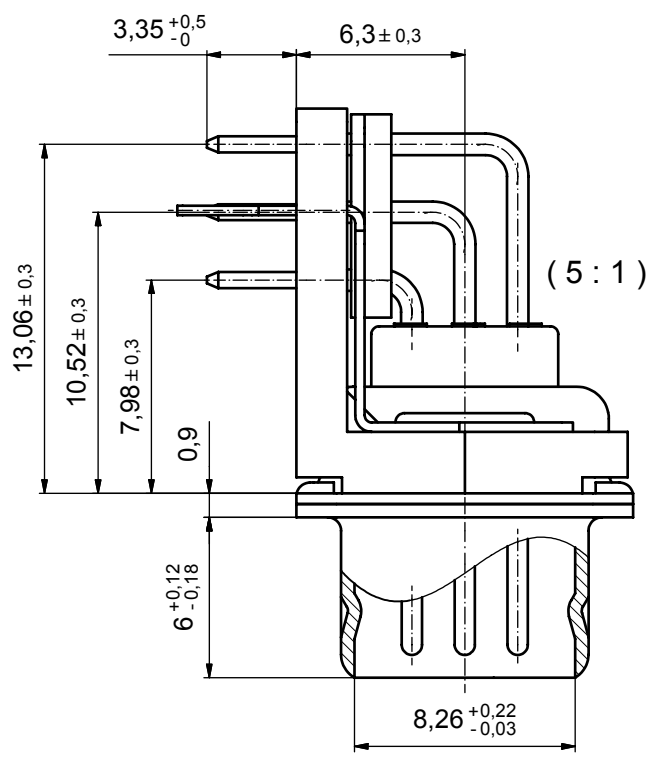
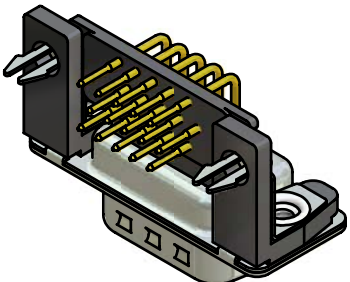


P.C.B. HOLE DRILLINGS



SEE NOTE 9



NOTES:

- METALSHELLS: STEEL; min. 315µin TIN OVER 40-80µin NICKEL
- INSULATORS: PBT GF UL 94 V-0, BLACK
- CONTACTS: COPPER ALLOY
PLATING: 8µin HARD GOLD OVER min. 50µin NICKEL
- MOUNTING-BRACKET: PBT GF UL 94 V-0, BLACK
- THREADED INSERT: COPPER ALLOY; min. 200µin TIN OVER 80µin NICKEL
- GROUNDING CLIP: COPPER ALLOY; min. 200µin TIN over 80µin NICKEL
PCB-HOLE: ø3.1 ± 0.1; PCB THICKNESS 1.6mm
- FIXING-PLATE: PBT GF UL 94 V-0, BLACK
- MAXIMUM TORQUE VALUE FOR THREAD: 6 in.LB
- CONNECTOR IS PART MARKED: 163A20489X CONEC ABC

Directive 2002/95/EC
RoHS
Compliant

APPROVAL # FREIGABE # DEBLOCAGE # AUTORIZACION # APPROVAL	
CUSTOMER APPROVAL DATE:	
NAME:	TITLE:
COMPANY NAME:	
APPROVAL # FREIGABE # DEBLOCAGE # AUTORIZACION # APPROVAL	

THIS DRAWING MAY NOT BE COPIED OR REPRODUCED IN ANY WAY, AND MAY NOT BE PASSED ON TO A THIRD PARTY WITHOUT WRITTEN PERMISSION. OWNERSHIP AND COPYRIGHT OF CONEC GmbH			
DO NOT ALTER CAD DRAWING BY HAND			
rev.	description	date	name

tolerance	dim. in mm
date	name
drawn	02.02.07 Lehmenkühler
appd.	05.02.07 Mickenbecker
norm	
d-old	
CONEC	

scale:	2:1 (5:1)	
material:	SEE NOTES	
title:	D-SUB HD MALE 90° 15pos. 0.350inch threaded insert, mounting bracket, grounding clip	
dwg no:	Inventor 10	DIN-A3
	16K1A1980	sh: 1
part no:	163A20489X	