



XPress™ DR Quick Start Guide

WHAT'S IN THE BOX

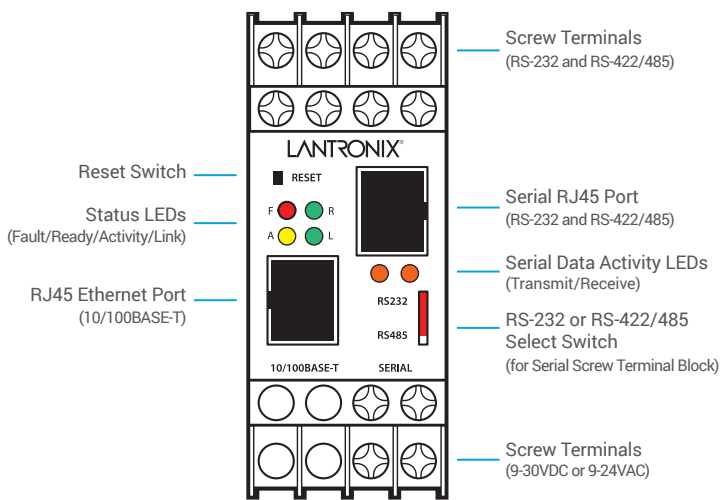


Quick Start Guide



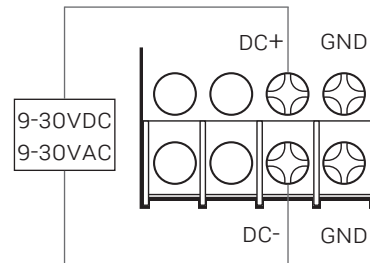
XPress DR Device Server

1 HARDWARE REVIEW



2 HARDWARE INSTALLATION

1. Connect the XPress DR to the network through the Ethernet port. (The unit must be on the same network as your computer.)
2. Connect power (9-30 VDC or 9-24VAC).



3. Verify that the green Link "L" LED is lit.

3 IP ADDRESSING

Your XPress DR must have a unique IP address on your network. The IP address can be assigned automatically or manually.

DHCP

Many networks use an automatic method of assigning an IP address called DHCP. If you are unsure whether your network uses DHCP, check with your systems administrator.

The XPress DR looks for a DHCP server when it first powers up. You can use the DeviceInstaller™ graphical user interface to search the network if your unit has been assigned an IP address by the DHCP server. If the XPress DR does not acquire an IP address, or you do not use DHCP, you must assign a fixed IP address.

FIXED IP ADDRESS

In most installations, a fixed IP address is desirable. The systems administrator generally provides the IP address.

The IP address must be within a valid range, unique to your network, and in the same subnet as your PC.

The following section describes assigning an IP address using DeviceInstaller.

4 DEVICEINSTALLER

INSTALL DeviceInstaller™

REQUIREMENTS: Computer must have a working Ethernet adapter running Windows as the Operating System (OS). For device discovery, the computer and device should be connected to the same IP subnet.

1. Download the latest version of DeviceInstaller from <http://www.lantronix.com/downloads>. The minimum required version for DeviceInstaller is **4.4.0.2**.
2. Run the executable to start the installation process on the computer being used to configure the XPress DR.
3. Follow the installation wizard prompts.



XPRESS™ DR Quick Start Guide

5 ASSIGNING AN IP ADDRESS

1. Run DeviceInstaller

Click: **Start > Programs > Lantronix > DeviceInstaller > DeviceInstaller.**

2. Upon launch, DeviceInstaller will search for Lantronix devices on the network. Select the unit from the list of Lantronix devices on the local network. (You may also click on the **Search** icon if your device isn't found immediately.)

3. Click the **Assign IP** icon.

4. If prompted, enter the MAC address (on the product label) and click **Next**.

5. Select **Assign a Specific IP** address and click **Next**.

6. Enter the **IP Address**. The **Subnet Mask** displays automatically based on the IP address. If desired, you may change it. On a local network, you can leave the **Default Gateway** blank (all zeros). Click **Next**.

7. Click the **Assign** button and wait several seconds until a confirmation message displays. Click **Finish**.

8. Click on the "**Search**" icon and DeviceInstaller locates the unit and adds it to the list.

If DeviceInstaller is unable to discover the XPress DR:

- In Windows Device Manager, ensure that the Ethernet adapter is installed and working properly.
- If your PC or laptop has more than one network interface, make sure the correct interface is selected in DeviceInstaller.
- Go to **Tools>Options** and make sure the correct network interface is selected. If not, check the correct interface, click on **OK**, and restart DeviceInstaller.
- Check the Link "L" LED indicator on the XPress DR to make sure there is a physical connection between the Ethernet adapter and the unit.

6 COMPLETE THE CONFIGURATION

Once the XPress DR is on the device list, it can be configured.

1. Double-click the unit in the list. Details about the unit will be displayed.

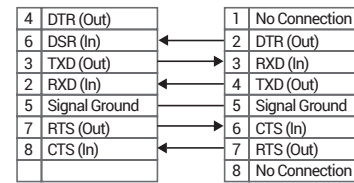
2. Select the **Web Configuration** tab and click on the green arrow. You will be prompted for a username and password.

3. The XPress DR does not have a default username and password - click **OK** to open the Web Manager.

7 CONNECTING SERIAL DEVICES

The cable diagram below is for connecting a PC (COM Port) to the XPress DR serial RJ45 port. You can use the serial RJ45 port to configure and test port settings prior to connection to your automation device.

RS-232 Configuration

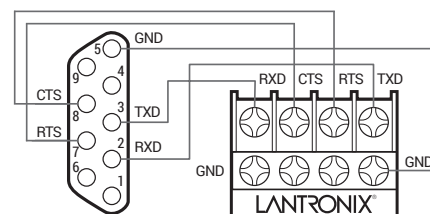


DTE, 9-PIN, FEMALE

SERIAL RJ45

The cable diagram below is for connecting a PC (COM Port) to the XPress DR serial screw terminals.

RS-232 Configuration



DTE, 9-PIN, FEMALE

For additional configurations, please refer to the XPress DR User Guide: <http://www.lantronix.com/support/downloads>.

Contact Technical Support

For technical support queries, visit <http://www.lantronix.com/support> or call (800) 422-7044 Monday – Friday from 6:00 a.m. – 5:00 p.m., Pacific Time, excluding holidays.

Latest Firmware For the latest firmware downloads, visit <http://www.lantronix.com/support/downloads>.

IP Address Assignment Tutorial To view a tutorial on how to assign an IP address, visit <http://www.lantronix.com/support/tutorials>.