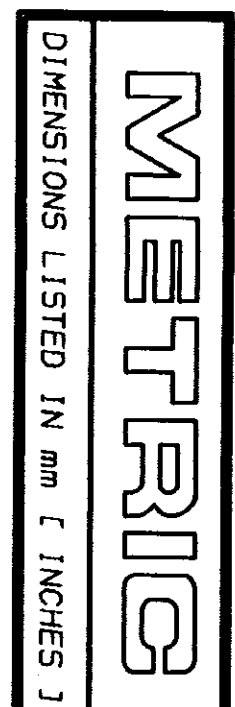
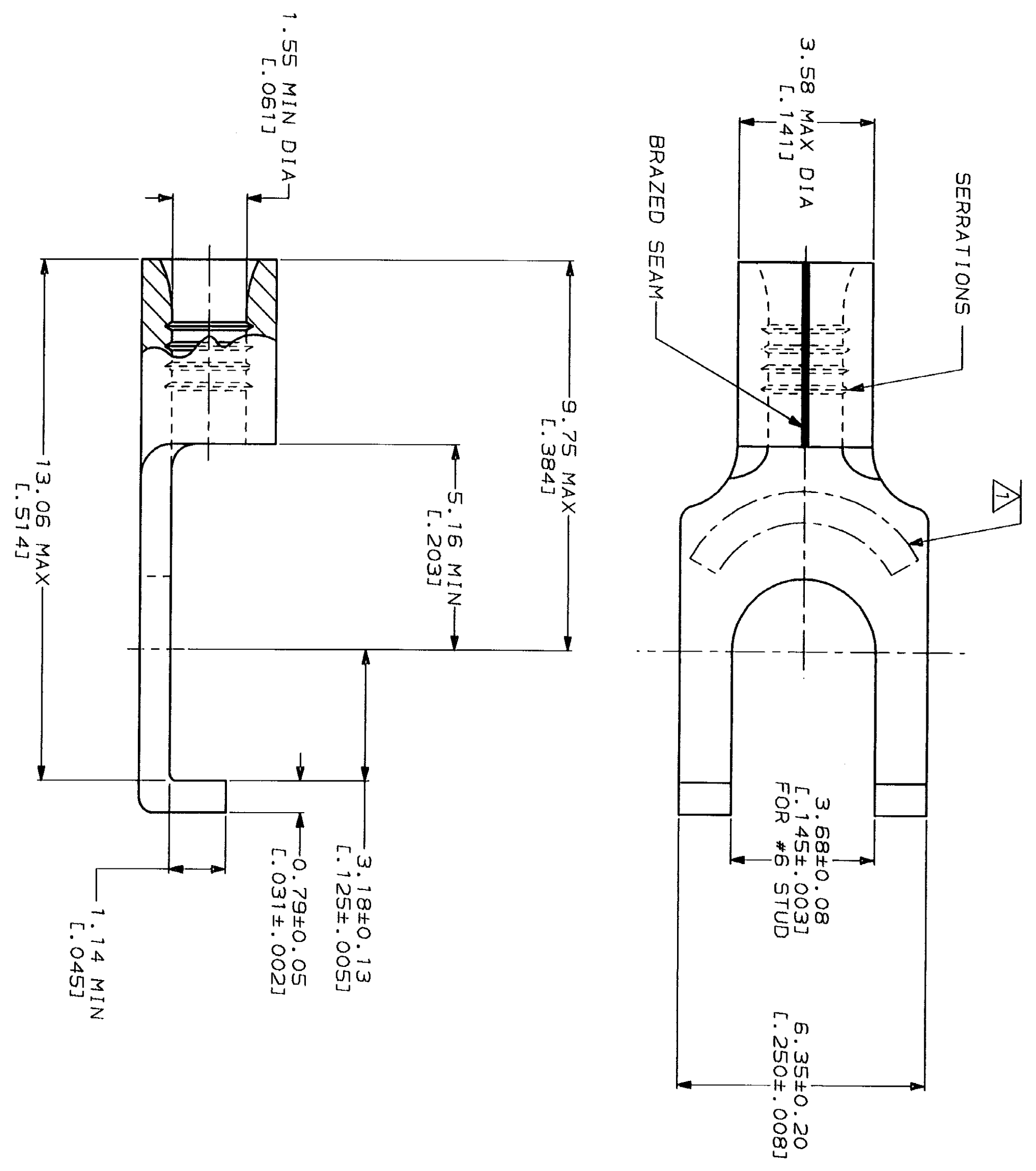


LOC	QTY	REV	DESCRIPTION	DATE	APPD
G	14				
			REV. RDW, 8 SM PKG PER 0720-0040-93	4-8-93	JL



<b>AMP</b> WIRE RANGE	<b>JL</b> E13288 Listed
22-16 AWG SOLID OR STRANDED	22-16 AWG SOLID OR STRANDED
<b>LR2189</b> Certified	MILITARY P/N AND CLASS
22-16 AWG SOLID OR STRANDED	NOT APPLICABLE

STAMP AMP 22-18\* APPROX AS SHOWN  
 22-16 TERMINALS ARE STAMPED 22-18 IN  
 ACCORDANCE WITH MILITARY SPECIFICATION  
 MIL-T-7928; COMMERCIAL WIRE RANGE IS 22-16



**AMP INCORPORATED**  
**CUSTOMER SERVICE SYSTEMS**

FOR ADDITIONAL PRODUCT INFORMATION OR COPIES OF DRAWINGS AND TECHNICAL DOCUMENTS	PRODUCT INFORMATION CENTER 1-800-522-6752
FOR APPLICATION TOOLING INFORMATION	TOOLING ASSISTANCE CENTER 1-800-722-1111
FOR ORDER ENTRY	1-800-526-5142

MAX RECOMMENDED OPERATING TEMPERATURE: 170°C MAX  
 VOLTAGE RATING: NOT APPLICABLE  
 WIRE CROSS SECTIONAL AREA RANGE: 0.26-1.65mm² [509-3,260] CIR MILS  
 SOLID OR STRANDED

DO NOT SCALE PRINT. UNLESS SPECIFIED DIMENSIONS IN INCHES - TOLERANCES ON: 1. PLC DEC ± .005 2. PLG DEC ± .005 3. PLG DEC ± .005  
 MATERIAL: COPPER PER ASTM B-152 ANNEALED  
 FINISH: TIN PLATE  
 0.00254 [L.000100] MIN THK PER MIL-T-10727

DR 4-8-93 TA BRINKMAN	NAME
CHK 4-8-93 DA PATTERSON	AMP Incorporated Harrisburg, PA 17105-3608
APPD 4-8-93 DE MILLER	
APPD 4-8-93 JL MECKLEY	
PRODUCT SPEC	
APPLICATION SPEC	
WEIGHT	

100	LOOSE PIECE, BOX	8-323136-1
5000	ON TAPE	2-323136-1
	LOOSE PIECE	323136
	PACKAGING TYPE	PART NO

SIZE	CAGE CODE	DRAWING NO
SCALE 10:1	00779	323136
		SHEET 1 OF 1