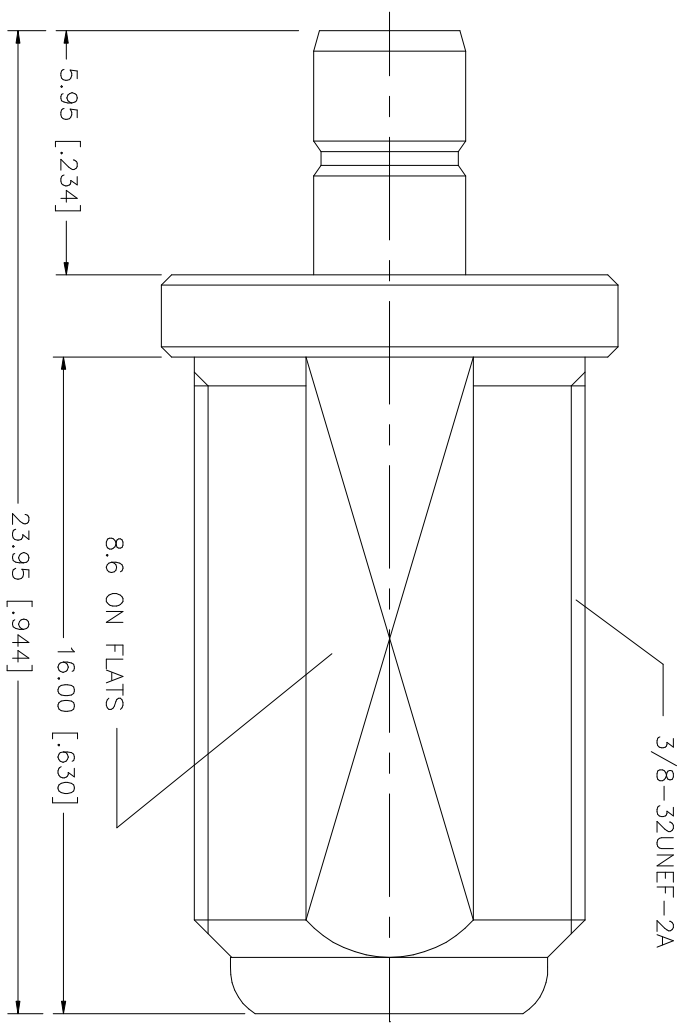


REV.	DATE	DESCRIPTION
NC	04/05/06	INITIAL RELEASE



REV.	DATE	DESCRIPTION
8		
7		
6		
5		
4		
3		
2		
1		

DESCRIPTION	MATERIAL	FINISH	QTY
CONTACT PIN	BER. COPPER	GOLD	1
INSULATOR	TEFLON	NATURAL	1
BODY	BRASS	NICKEL	1

UNLESS OTHERWISE SPECIFIED DIMENSIONS ARE IN INCHES AND FOR CUSTOMER REFERENCE ONLY.	
TOLERANCES FOR MILLIMETERS ARE:	
0.5 - 8mm	± 0.20mm
8 - 30mm	± 0.40mm
30 - 120mm	± 0.50mm
UNLESS OTHERWISE SPECIFIED TOLERANCES FOR INCHES ARE:	
.020 - .315	± 0.007"
.315 - 1.180	± 0.015"
1.180 - 4.724	± 0.020"
DO NOT SCALE DRAWING	

APPROVALS	DATE
DRAWN G.R.S.	04/05/06
CHECKED	
ISSUED	
SHEET 1 OF 1	

CAD FILE C:/242/242224.DWG	DWG. NO. 242224.DWG	REV. NC	SIZE A	SCALE NA
----------------------------	---------------------	---------	--------	----------

PART DESCRIPTION	
SMB JACK TO F JACK ADAPTER	PART NO. 242224

Amphenol Connex