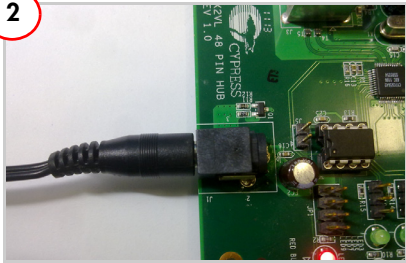


1



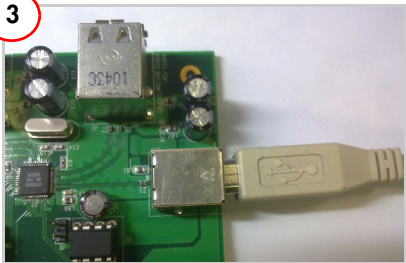
Insert the kit CD into the CD drive of your PC. Review kit contents.

2



Plug the wall mounted power supply into an AC power receptacle providing power in the range 100 V to 240 V, 50 Hz or 60 Hz. Connect the power supply plug to the hub's 'DC Supply' jack.

3



To connect to the PC, plug the USB A to B cable into the hub's upstream connector. Plug the other end of the cable into one of the PC's host controller ports.

The hub is now ready for any low speed, full speed, or high speed devices to be plugged into the ports. The four ports on the hub are labeled Port 1, Port 2, Port 3, and Port 4.

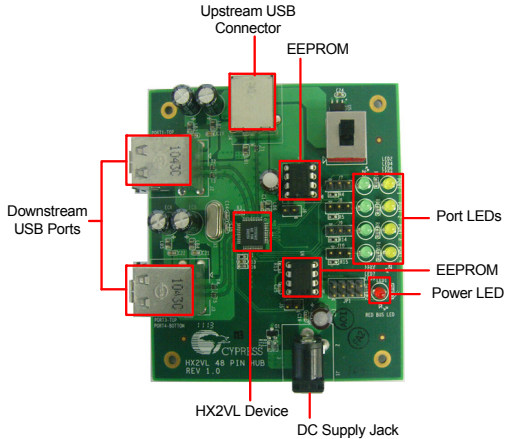
4



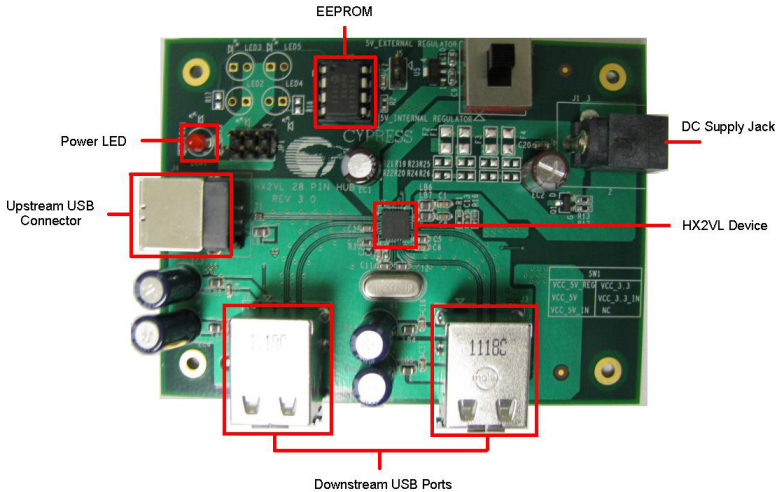
Connect a USB device to any of the four downstream ports. Use jumpers J7 to J10 (port status) in position 2 or 3 to enable the port LEDs. The green LED indicates that the port is enabled.

The amber LED indicates that the port has an exception condition. The operating system commands the HX2VL to turn off the port and set the amber LED until the condition is cleared.

HX2VL-CY4607 Development Board Details



HX2VL-CY4608 Development Board Details



For the latest information about this kit, visit
<http://www.cypress.com/?id=3624>

