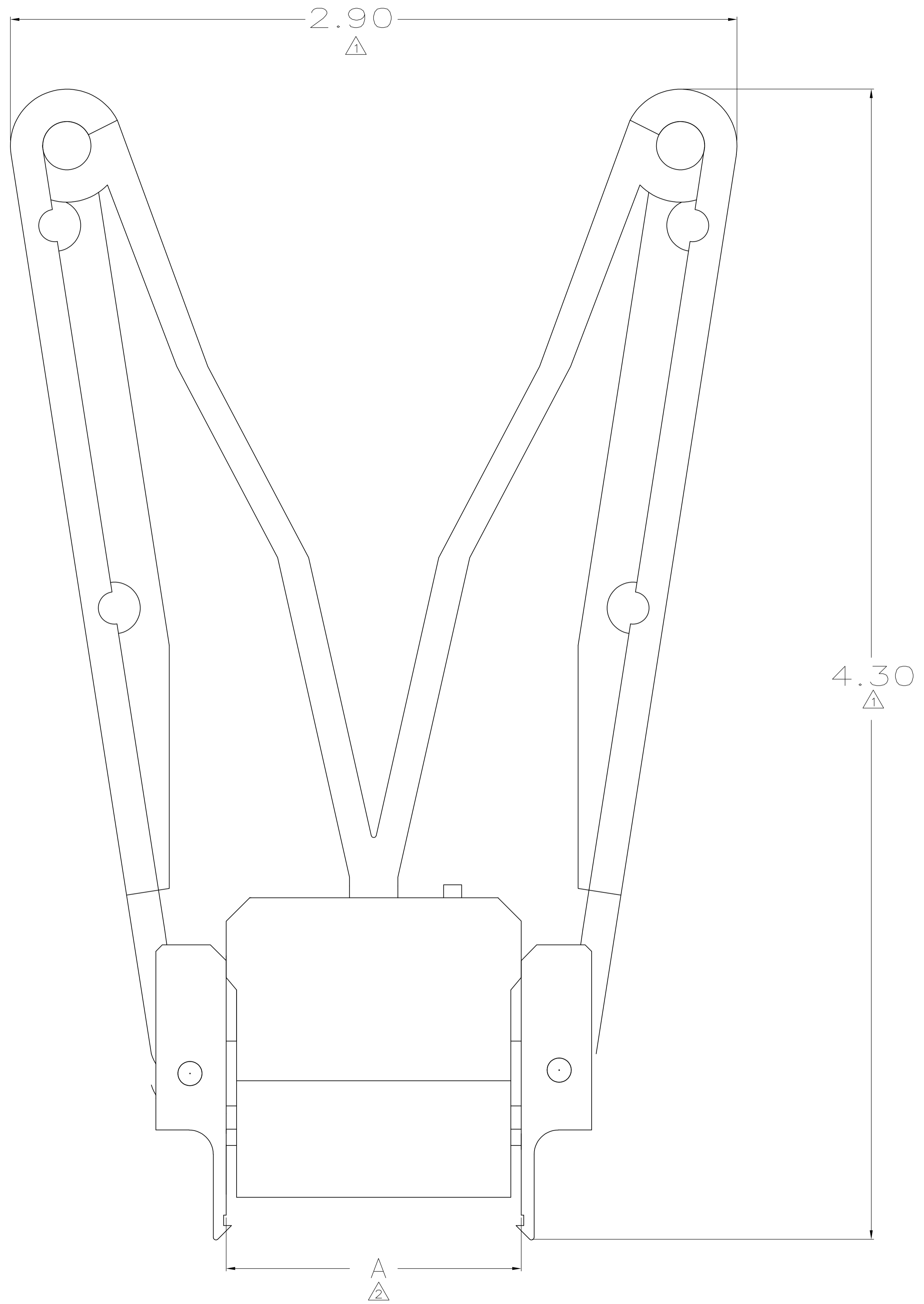


LOC		DIST		REVISIONS				
AG	55	P	F	ZONE	LTR	DESCRIPTION	DATE	APPD
				A1		REVISED PER ECO-09-023313	13OCT09	AG
				A		REVISED PER AG-3260	7-26-93	WS



- ① DIMENSION APPLIES ONLY WHEN HANDLE IS IN FREE STATE.
- ② DIMENSION "A" APPLIES ONLY WHEN HANDLE IS SQUEEZED, WITH HOOKS PIVOTED AGAINST CAM.
- 3. FOR INSTRUCTION ON HOW TO USE THIS HAND TOOL REFER TO AMP INSTRUCTION SHEET IS-3289.
- ④ OBSOLETE PARTS: OBSOLETE CIS STREAMLINING PER D.RENAUD/D.SINISI

④ OBSOLETE	1.485 - 1.500	822253-4
④ OBSOLETE	1.525 - 1.540	822253-3
④ OBSOLETE	1.325 - 1.340	822253-2
④ OBSOLETE	1.125 - 1.140	822253-1
	DIM A	PART NO.

DO NOT SCALE PRINT. UNLESS SPECIFIED		PART NO	
DIMENSIONS IN mm [INCHES]		AMP Incorporated Harrisburg, PA 17105-3608	
TOLERANCES ON :		9-10-91	
2 PLC DEC ± .02		PRODUCT ASSY HAND TOOL	
3 PLC DEC ± .005		SIZE D	
ANGLES ± -		CAGE CODE 00779	
MATERIAL -		DRAWING NO 822253	
FINISH -		SCALE 2:1	
APPLICATION SPEC -		SHEET 1 OF 1	
WEIGHT -			