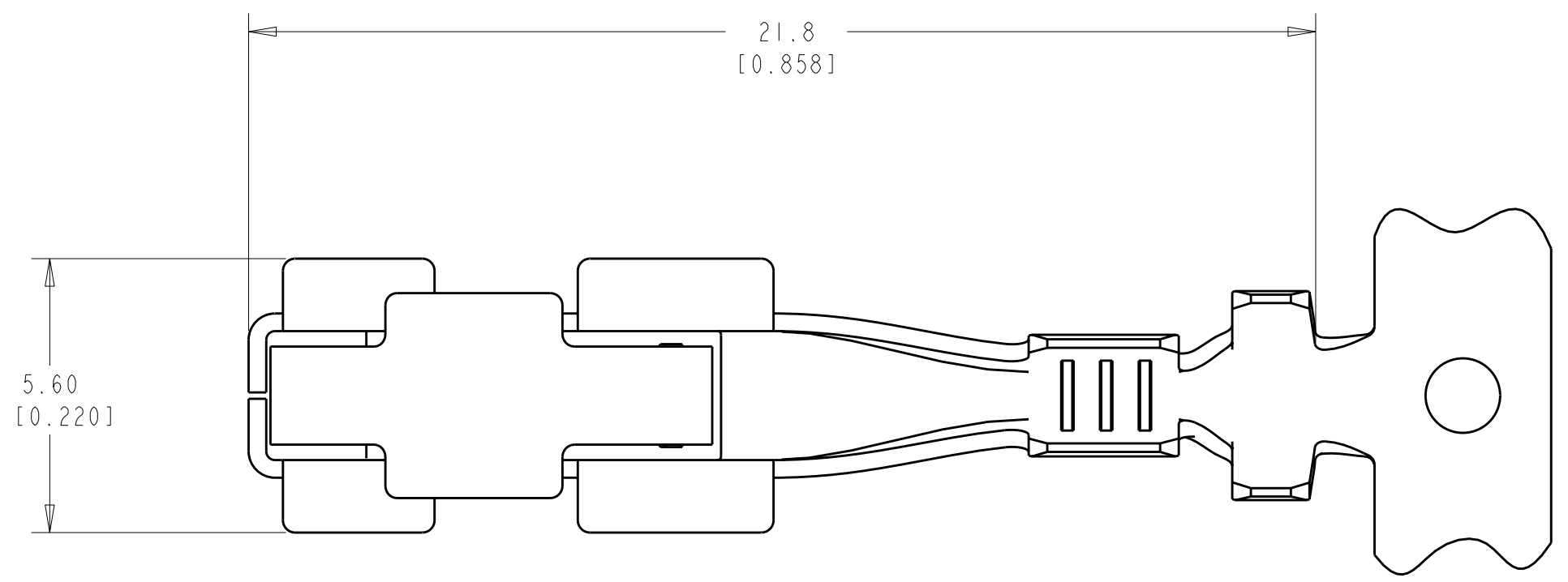
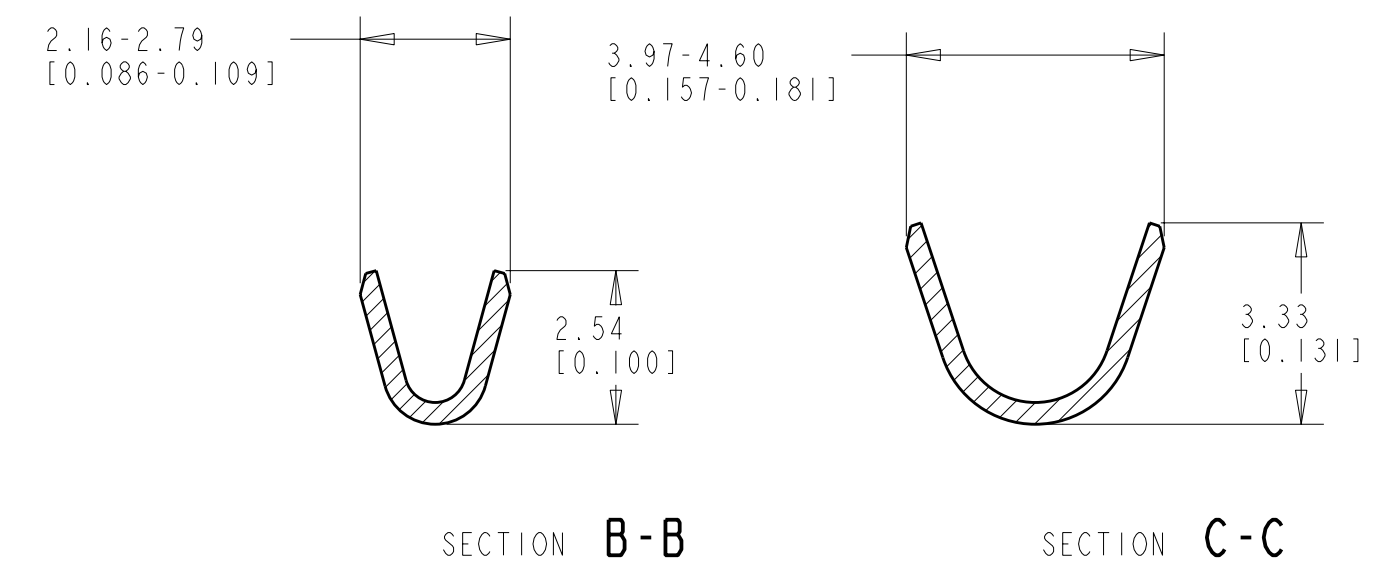
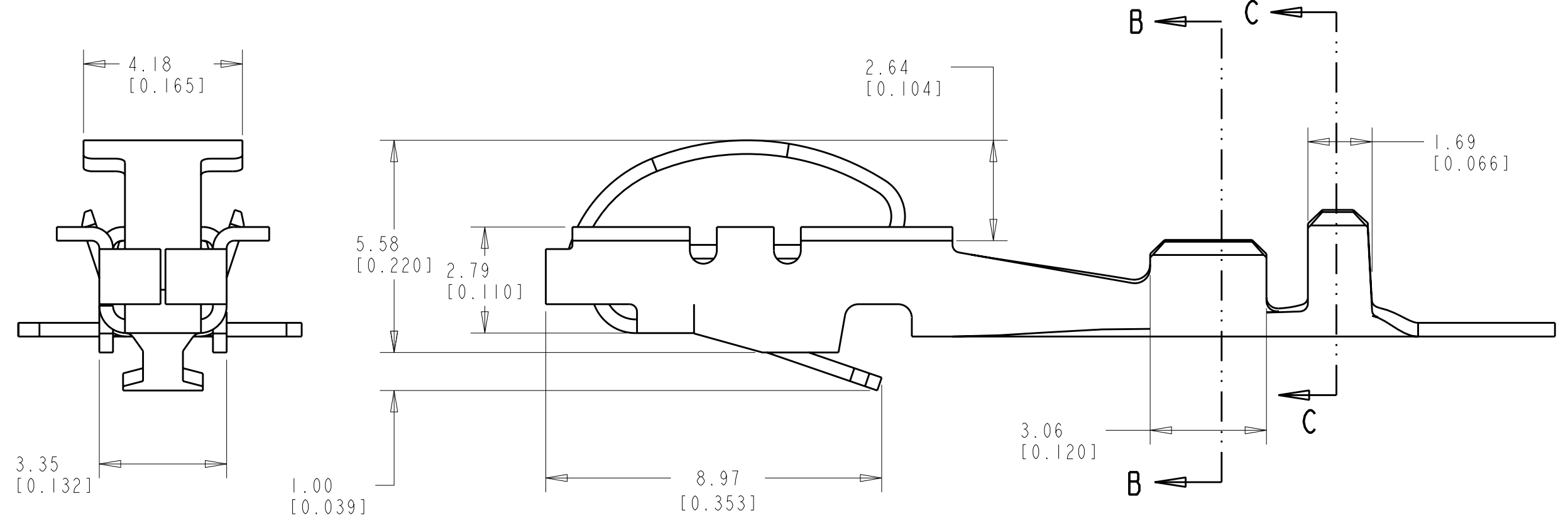
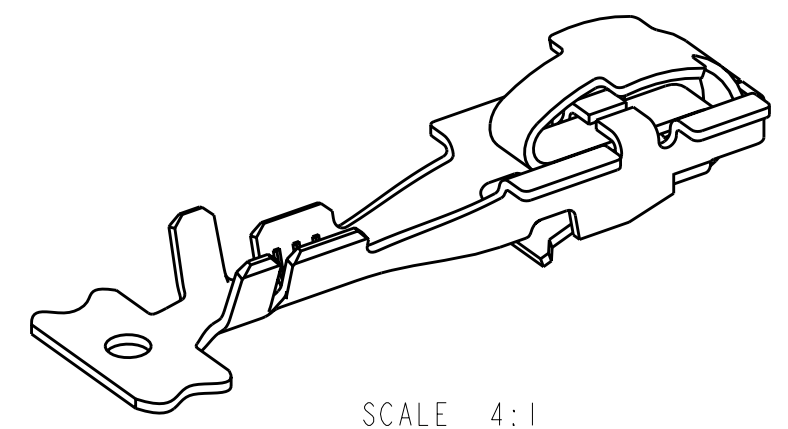


THIS DRAWING IS UNPUBLISHED. RELEASED FOR PUBLICATION 20
 © COPYRIGHT 20 BY TYCO ELECTRONICS CORPORATION. ALL RIGHTS RESERVED.

LOC		DIST		REVISIONS			
P	LTR	DESCRIPTION	DATE	DWN	APVD		
	A3	REVISED PER ECR-08-008677	09APR2008	HMR	DD		



- 1 MATERIAL: 0.36 THK. PHOSPHOR BRONZE
- 2 FINISH - PRE-PLATED TIN
- 3 CONTINUOUS STRIP ON REELS



F OR 0	3.56 [.140]	5.59 [.220]	F	1.78 [.070]	1.19 [.047]	[#22]
					1.27 [.050]	[#20]
					1.42 [.056]	[#18]
TYPE	WIDTH	STRIP LENGTH ±0.38 ±[.015]	TYPE	WIDTH	±0.051 ±[.002] HEIGHT	WIRE
INSUL BARREL CRIMP	WIRE BARREL CRIMP					

1.52 - 2.54 DIA [.060 - .100] DIA		[#22 - #18] AWG	1742395-1
INSULATION RANGE		WIRE SIZE	PART NUMBER
<small>THIS DRAWING IS A CONTROLLED DOCUMENT FOR TYCO ELECTRONICS CORPORATION. IT IS SUBJECT TO CHANGE AND THE CONTROLLING ENGINEERING ORGANIZATION SHOULD BE CONTACTED FOR THE LATEST REVISION.</small> DIMENSIONS: mm TOLERANCES UNLESS OTHERWISE SPECIFIED: 0 PLC ± 1 PLC ± 2 PLC ±0.13 3 PLC ± 4 PLC ± ANGLES ±° FINISH		DWN S_HILT 15MAY2007 CHK S_HORST 15MAY2007 APVD - PRODUCT SPEC 108-2315 APPLICATION SPEC 114-13209 WEIGHT - CUSTOMER DRAWING	Tyco Electronics Harrisburg, PA 17105-3608 NAME TERMINAL, LAMP SOCKET, WEDGE BASE SIZE A2 CAGE CODE 00779 DRAWING NO. 1742395 RESTRICTED TO - SCALE 8:1 SHEET 1 OF 1 REV A3