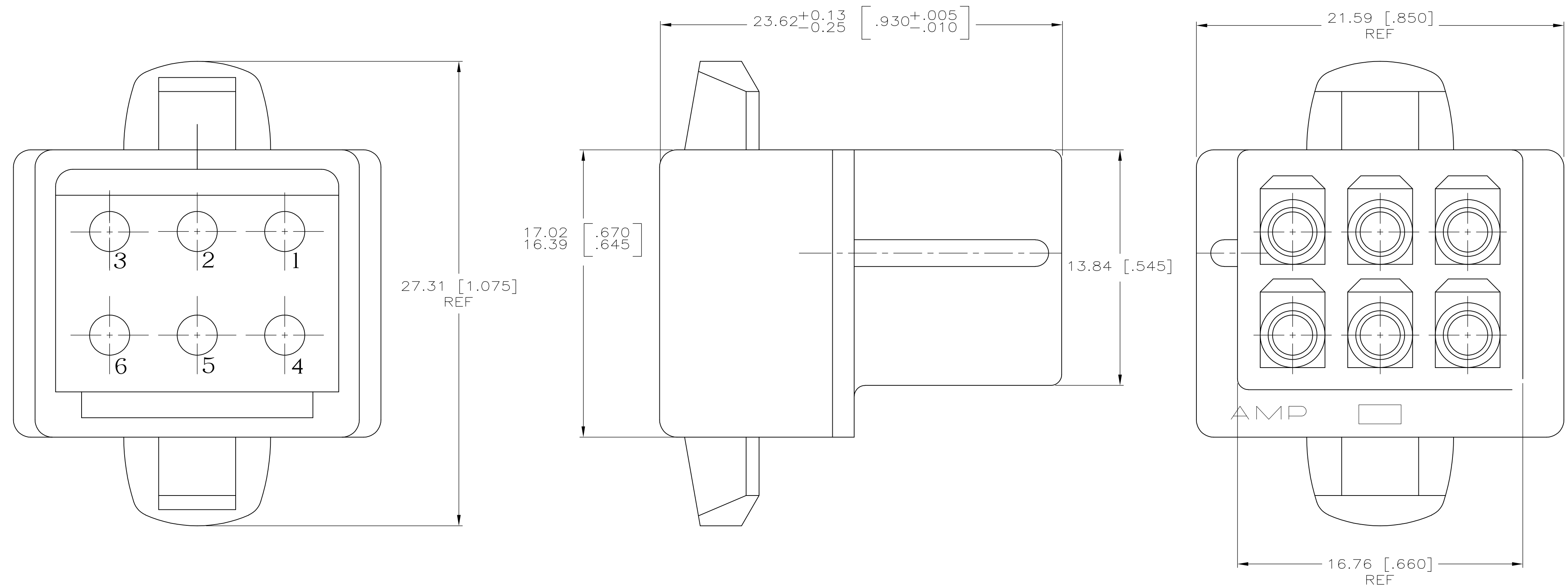


THIS DRAWING IS UNPUBLISHED. RELEASED FOR PUBLICATION
 © COPYRIGHT BY TYCO ELECTRONICS CORPORATION. ALL RIGHTS RESERVED.

LOC	DIST	REVISIONS			
P	LTR	DESCRIPTION	DATE	DWN	APVD
CM	00	W1	ECO-07-028371	29NOV07	KW CC

1. TO BE USED WITH MATE-N-LOK PINS.
 2. TO BE USED WITH PLUG 480273.
- △ 3 FOREIGN PRODUCTION ONLY.



△ 3	YELLOW	1-480276-4
	NATURAL	1-480276-0
	COLOR	PART NO.

THIS DRAWING IS A CONTROLLED DOCUMENT.		DWN S. HOOVER 25-MAR-2004	Tyco Electronics Tyco Electronics Corporation Harrisburg, PA 17105-3608	
DIMENSIONS: MM [INCHES]		CHK D. COLEY 25-MAR-2004	NAME	
TOLERANCES UNLESS OTHERWISE SPECIFIED:		APVD D. COLEY 25-MAR-2004	CAP, 6 CIRCUIT MATE-N-LOK(TM)	
0 PLC ±		PRODUCT SPEC	SIZE	CAGE CODE
1 PLC ±		APPLICATION SPEC	A2	00779
2 PLC ±		WEIGHT	G=480276	
3 PLC ± 0.13 [.005]		CUSTOMER DRAWING	SCALE	SHEET
4 PLC ±			6:1	1 OF 1
ANGLES ±				REV
FINISH				W1

METRIC