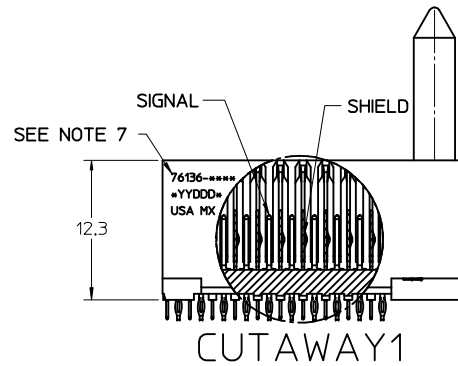
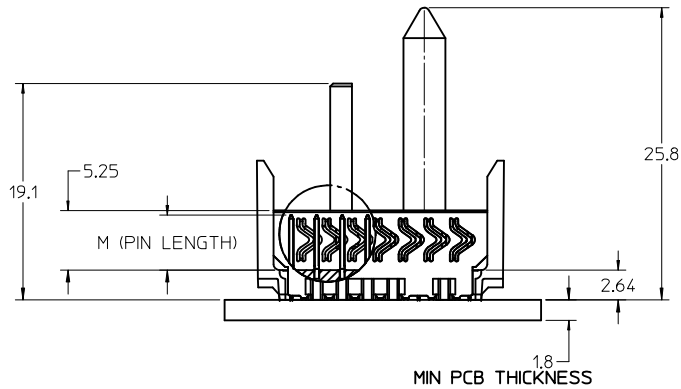


- NOTES:
1. MATERIALS: HOUSING - LIQUID CRYSTAL POLYMER (LCP)
GLASS FILLED, UL94V-0, BLACK
SIGNAL PIN AND SHIELD - COPPER ALLOY
 2. FINISHES: CONTACT AREA - SELECTIVE GOLD (Au)
PCB TAILS - SELECTIVE MATTE TIN (Sn)
 3. THIS PART CONFORMS TO MOLEX PRODUCT SPECIFICATION PS-74031-999.
 4. FOR MIXED CONTACT LENGTH CONTACT MOLEX FOR AVAILABILITY.
 5. FOR SPECIFIC MATERIAL NUMBERS AND MATING INFORMATION REFER TO SHEET 2.
 6. PACKAGE PER PK-74061-003.
 7. ASSEMBLY WILL BE MARKED WITH P/N AND DATE CODE WITH LASER MARK ON SIDE OF HOUSING
 8. MAPS (MOLEX ADVANCED PLATING SYSTEM).



THE PRIMARY CARTON WITH A LABEL STATING "ELV AND RoHS COMPLIANT" IS LEAD FREE. CARTONS WITHOUT THIS LABEL MAY CONTAIN LEAD.

| | | | | | | | | | | |
|--|------------------------------------|--------------------------------------|---------------------------------------|----------------------|--|----------------------|---|------------------------------|---|---------------------|
| DRAWING CLEAN-UP EC NO: UCP2013-2637 DRW:RHIIPPLE 2012/12/28 CHKD:MOLFE 2012/12/29 APPR:SMILLER 2013/01/11 | REVISIONS REV. DESCRIPTION D | QUALITY SYMBOLS ▽=0 ▽=0 ▽=0 | GENERAL TOLERANCES (UNLESS SPECIFIED) | | DIMENSION STYLE MM ONLY | | SCALE 3:1 | DESIGN UNITS METRIC | THIRD ANGLE PROJECTION | |
| | | | mm | INCH | DRAWN BY J JONIAK | DATE 2008/04/11 | TITLE VHDM H-SERIES 8 ROW SHIELD END BACKPLANE SALES DRAWING | DOCUMENT NO. SD-76136-001 | | SHEET NO. 1 OF 2 |
| | | | 4 PLACES ± --- ± --- | 3 PLACES ± --- ± --- | 2 PLACES ± 0.15 ± --- | 1 PLACE ± 0.25 ± --- | 0 PLACE ± --- ± --- | APPROVED BY B BINGHAM | | DATE 2008/04/11 |
| | | | ANGULAR ±1/2° | | DRAFT WHERE APPLICABLE MUST REMAIN WITHIN DIMENSIONS | | MATERIAL NO. SEE SHEET 2 | | THIS DRAWING CONTAINS INFORMATION THAT IS PROPRIETARY TO MOLEX INCORPORATED AND SHOULD NOT BE USED WITHOUT WRITTEN PERMISSION | |

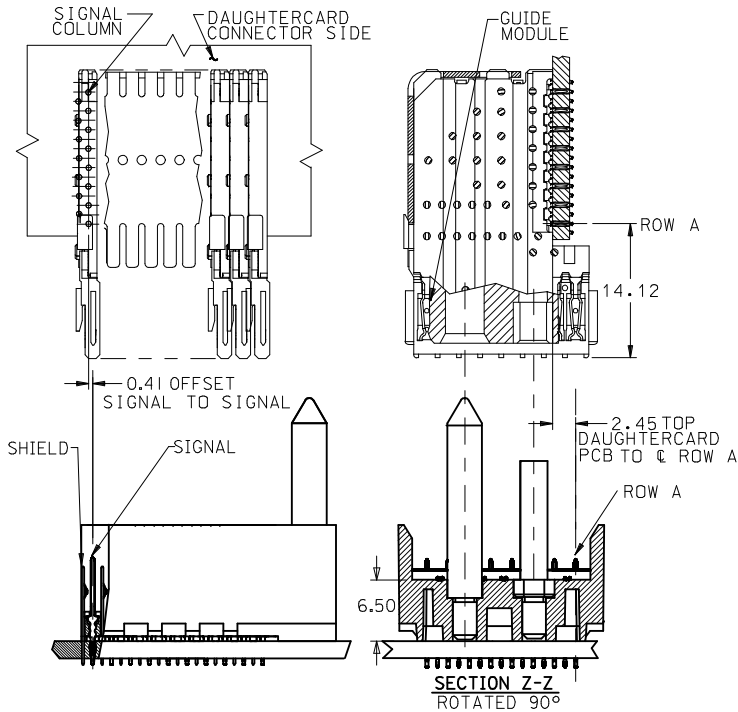
| | | | | | | | | | |
|------------------------|-------|-------|-------|-------|-------|-------|-------|-------|-------|
| M/N 76136-() | -**0* | -**1* | -**2* | -**3* | -**4* | -**5* | -**6* | -**7* | -**8* |
| KEYING PIN ORIENTATION | | | | | | | | | |

76136 - * * * *

CONTACT LOAD
(PIN LENGTH)
1 & 6 = 4.75
2 & 7 = 6.25
3 & 8 = 4.25
4 & 9 = 5.15

NUMBER OF COLUMNS/PLATING
10 = 10 COLUMN MATTE TIN (FORMERLY TIN/LEAD)
25 = 25 COLUMN MATTE TIN (FORMERLY TIN/LEAD)
60 = 10 COLUMN MATTE TIN (MAPS)
75 = 25 COLUMN MATTE TIN (MAPS)
90 = 10 COLUMN MATTE TIN
85 = 25 COLUMN MATTE TIN

| PART NUMBER | COLUMN | NUMBER OF SIGNAL PIN | NUMBER OF SHIELD | A | B | M | GOLD THICKNESS MICROMETER | TIN THICKNESS MICROMETER |
|-------------------|--------|----------------------|------------------|-------|-------|------|---------------------------|--------------------------|
| 76136-60*1 | 10 | 80 | 10 | 27.00 | 18.00 | 4.75 | 0.25 MAPS | 0.76-1.52 |
| 76136-*0*1 | | | | | | | 0.76 | |
| 76136-*0*6 | | | | | | | 1.27 | |
| 76136-75*1 | 25 | 200 | 25 | 57.00 | 48.00 | 4.75 | 0.25 MAPS | |
| 76136-*5*1 | | | | | | | 0.76 | |
| 76136-*5*6 | | | | | | | 1.27 | |
| 76136-60*2 | 10 | 80 | 10 | 27.00 | 18.00 | 6.25 | 0.25 MAPS | |
| 76136-*0*2 | | | | | | | 0.76 | |
| 76136-*0*7 | | | | | | | 1.27 | |
| 76136-75*2 | 25 | 200 | 25 | 57.00 | 48.00 | 6.25 | 0.25 MAPS | |
| 76136-*5*2 | | | | | | | 0.76 | |
| 76136-*5*7 | | | | | | | 1.27 | |
| 76136-60*3 | 10 | 80 | 10 | 27.00 | 18.00 | 4.25 | 0.25 MAPS | |
| 76136-*0*3 | | | | | | | 0.76 | |
| 76136-*0*8 | | | | | | | 1.27 | |
| 76136-75*3 | 25 | 200 | 25 | 57.00 | 48.00 | 4.25 | 0.25 MAPS | |
| 76136-*5*3 | | | | | | | 0.76 | |
| 76136-*5*8 | | | | | | | 1.27 | |
| 76136-60*4 | 10 | 80 | 10 | 27.00 | 18.00 | 5.15 | 0.25 MAPS | |
| 76136-*0*4 | | | | | | | 0.76 | |
| 76136-*0*9 | | | | | | | 1.27 | |
| 76136-75*4 | 25 | 200 | 25 | 57.00 | 48.00 | 5.15 | 0.25 MAPS | |
| 76136-*5*4 | | | | | | | 0.76 | |
| 76136-*5*9 | | | | | | | 1.27 | |



| | | | | | | |
|---|--------------------------------------|--|--|---|--|--|
| SEE SHEET 1 EC NO: UCP2013-2637 DRW:RWHIPPLE 2012/12/28 CHKD:MWOLFE 2012/12/29 APPR:SMILLER 2013/01/11 | QUALITY SYMBOLS ▽=0 ▽=0 ▽=0 | GENERAL TOLERANCES (UNLESS SPECIFIED) | DIMENSION STYLE MM ONLY | SCALE 5:1 | DESIGN UNITS METRIC | THIRD ANGLE PROJECTION |
| | | 4 PLACES ± --- ± --- 3 PLACES ± --- ± --- 2 PLACES ± 0.15 ± --- 1 PLACE ± 0.25 ± --- 0 PLACE ± --- ± --- | DRAWN BY J JONIAK DATE 2008/04/11 | CHECKED BY BINGHAM DATE 2008/04/11 | APPROVED BY BINGHAM DATE 2008/04/11 | VHDM H-SERIES 8 ROW SHIELD END BACKPLANE SALES DRAWING |
| DRAFT WHERE APPLICABLE MUST REMAIN WITHIN DIMENSIONS | | ANGULAR ±1/2° | SEE TABLE | DOCUMENT NO. SD-76136-001 | | SHEET NO. 2 OF 2 |
| THIS DRAWING CONTAINS INFORMATION THAT IS PROPRIETARY TO MOLEX INCORPORATED AND SHOULD NOT BE USED WITHOUT WRITTEN PERMISSION | | | | | | |