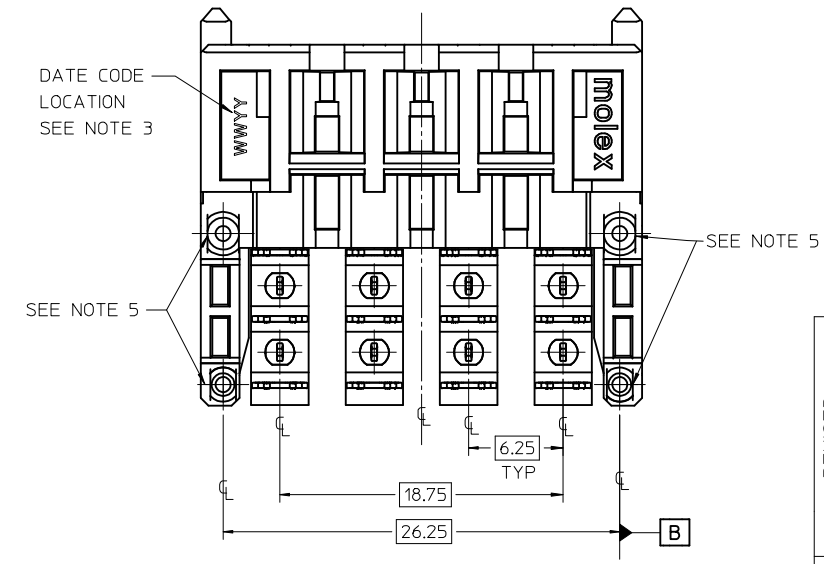
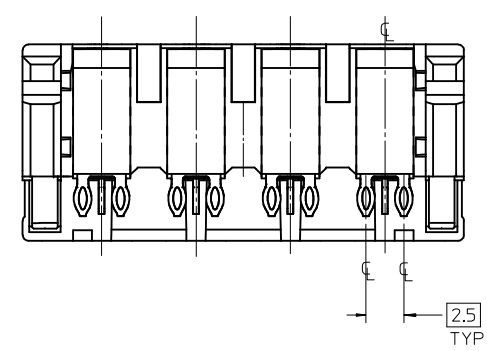
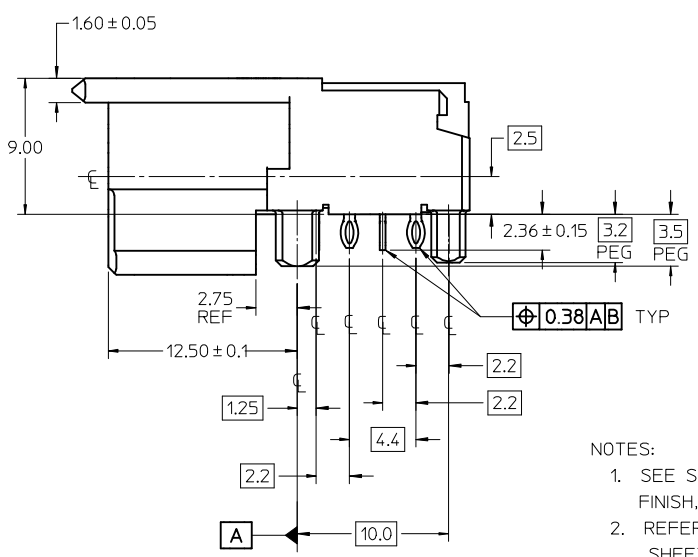
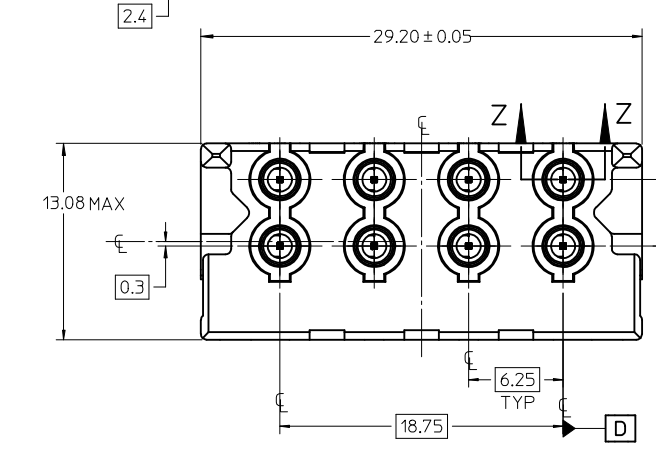
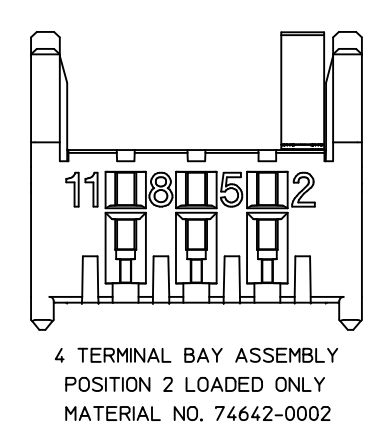
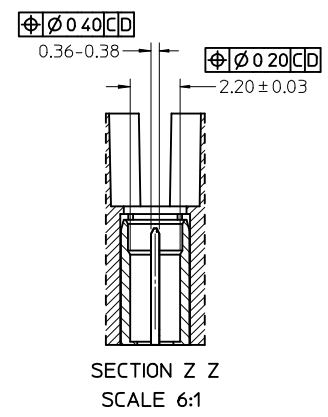
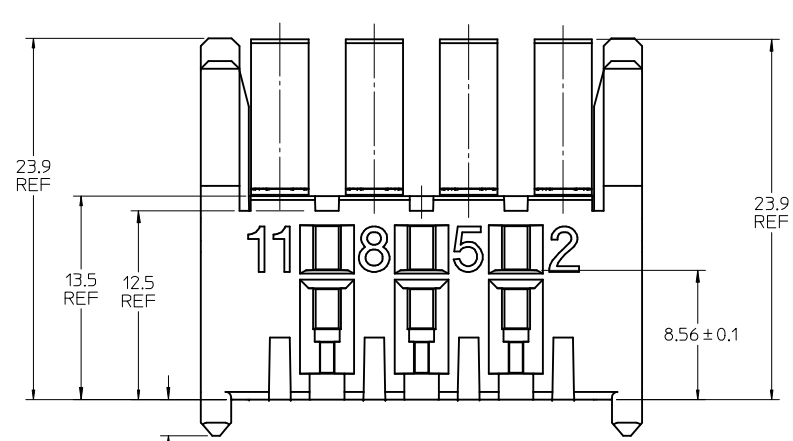


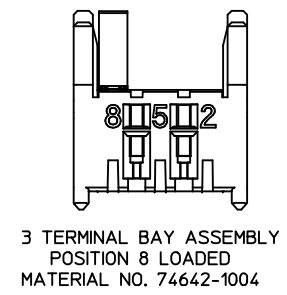
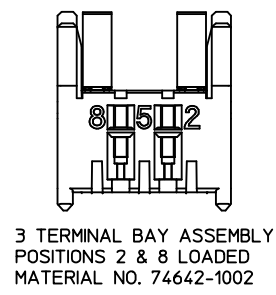
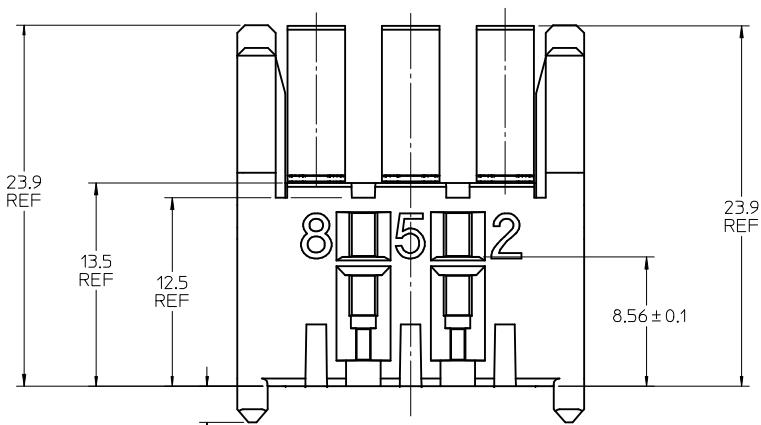
2	74642
MATERIAL NO.	TERMINAL LOADING BY POSITION
74642-0001	2, 5, 8, 11
74642-0002	2



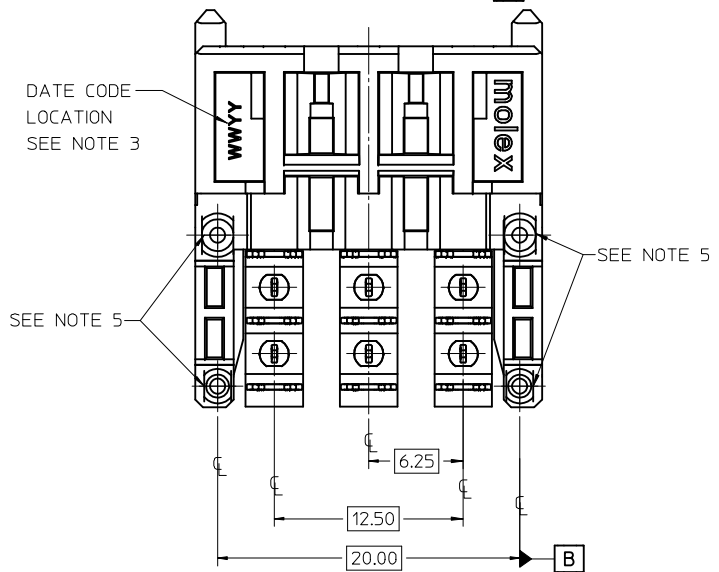
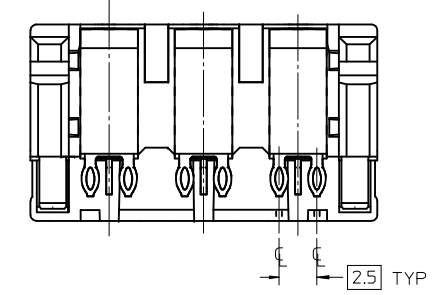
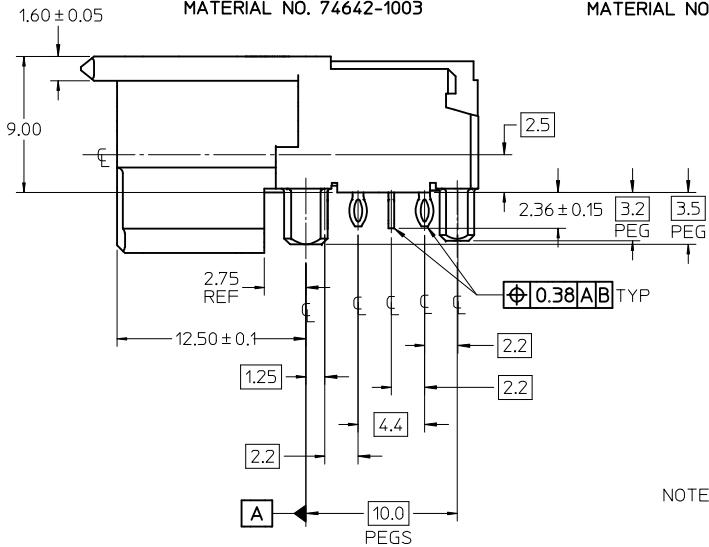
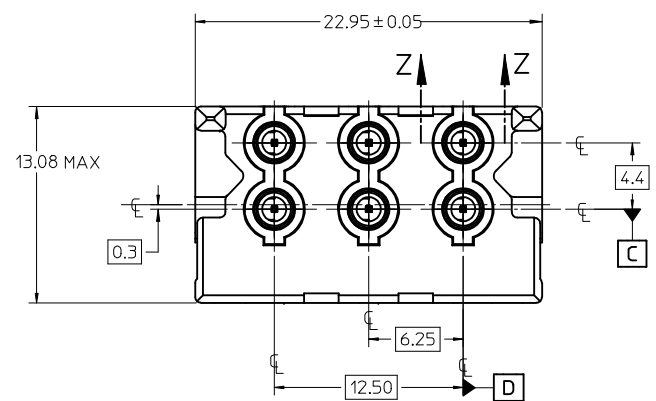
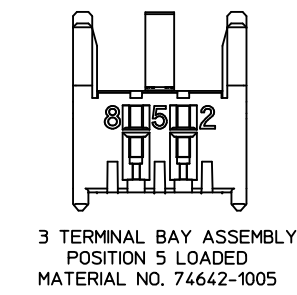
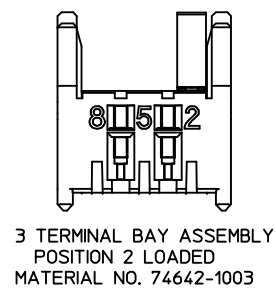
4 TERMINAL BAY ASSEMBLY
POSITION 2,5,8,11 SHOWN
MATERIAL NO. 74642-0001

- NOTES:
1. SEE SHEET 4 FOR ALL NOTES PERTAINING TO MATERIAL, FINISH, PRODUCT SPECIFICATIONS AND PACKAGING.
 2. REFER TO SHEET 2 FOR THE 3 TERMINAL BAY ASSEMBLY, SHEET 3 FOR THE 5 TERMINAL BAY ASSEMBLY AND SHEET 4 THEIR RELATED MATERIAL NUMBERS
 3. DATE CODE TO BE LASER MARKED ON BOTTOM OF ASSEMBLY IN THE RECESSED POCKET LOCATION SHOWN.

REVISED EC NO: UCP2009-0995 DRWN: JMENDOZA 2008/10/21 CHKD: 2008/10/21 APPR: BINGHAM 2008/10/21	QUALITY SYMBOLS ▽ - 0 ∇ - 0	GENERAL TOLERANCES (UNLESS SPECIFIED)		SCALE 4:1	DESIGN UNITS METRIC	THIRD ANGLE PROJECTION	REVISE ON CAD ONLY	
			mm	INCH	DIMENSION STYLE MM ONLY		TITLE	
		4 PLACES	± ---	± ---	DRAWN BY DATE		SALES DRAWING FOR R/A GANGED RF CONNECTOR ASSEMBLIES	
		3 PLACES	± ---	± ---	J. LONG	01-02-08	MOLEX INCORPORATED	
	2 PLACES	± 0.13	± ---	CHECKED BY DATE	MATERIAL NO. DOCUMENT NO.		SHEET NO.	
	1 PLACE	± 0.25	± ---	J. LONG	01-02-08	SEE CHART	SD-74642-001	1 OF 4
	ANGULAR ± 2 °		APPROVED BY DATE		MATERIAL NO. DOCUMENT NO.		SHEET NO.	
	DRAFT WHERE APPLICABLE MUST REMAIN WITHIN DIMENSIONS		REGNIER		01-03-20	SEE CHART	SD-74642-001	1 OF 4
J2	REV	THIS DRAWING CONTAINS INFORMATION THAT IS PROPRIETARY TO MOLEX INCORPORATED AND SHOULD NOT BE USED WITHOUT WRITTEN PERMISSION						C



74642	
MATERIAL NO.	TERMINAL LOADING BY POSITION
74642-1001	2, 5, 8
74642-1002	2, 8
74642-1003	2
74642-1004	8
74642-1005	5

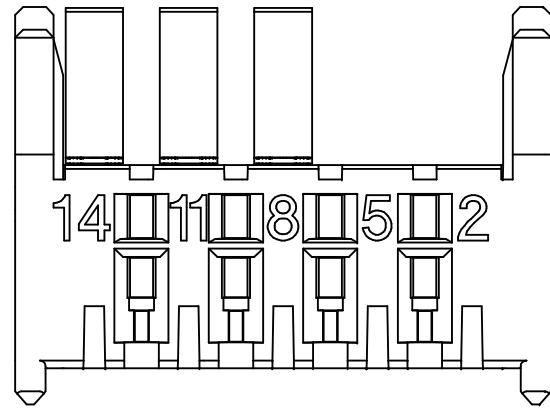
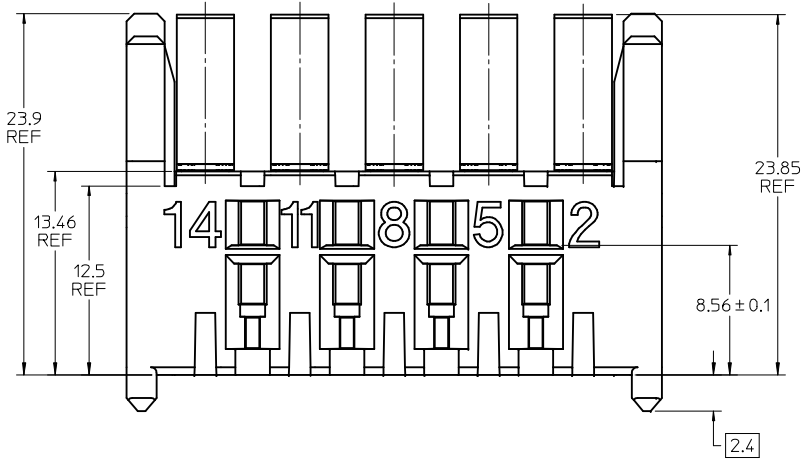


3 TERMINAL BAY ASSEMBLY
POSITION 2,5,8 SHOWN
MATERIAL NO. 74642-1001

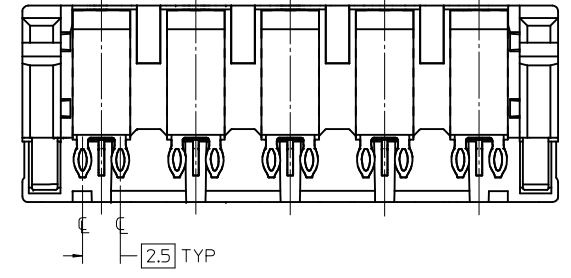
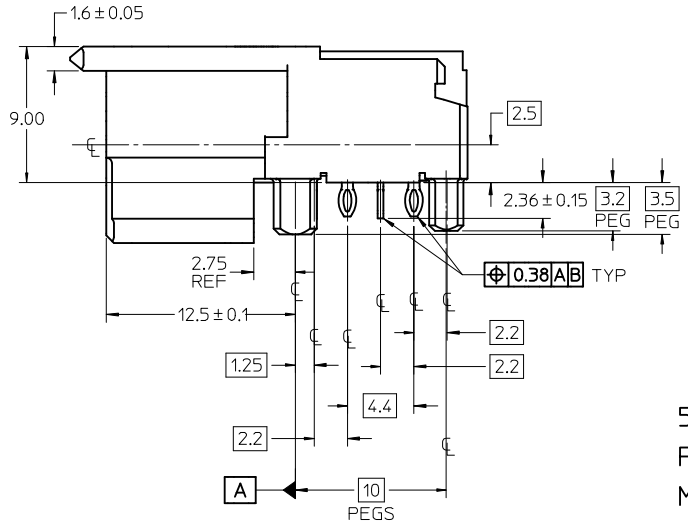
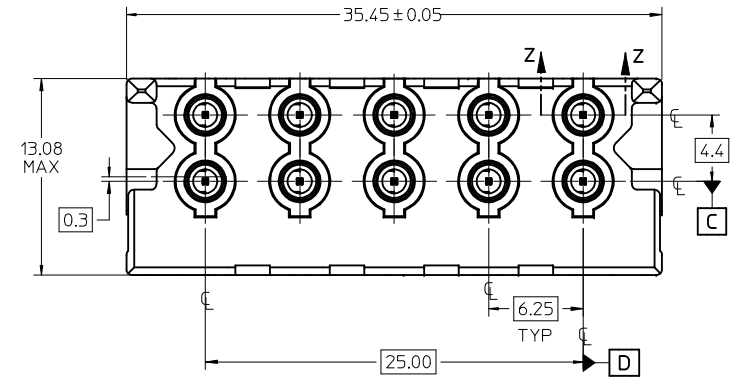
NOTE: REFER TO SHEET 1 FOR ALL DIMENSIONS, SECTION VIEW AND NOTES NOT SHOWN.

SEE SHEET 1 EC NO: UCP2009-0995 DRWN: JMENDOZA 2008/10/21 CHKD: 2008/10/21 APPR: BINGHAM 2008/10/21	QUALITY SYMBOLS	GENERAL TOLERANCES (UNLESS SPECIFIED)	SCALE 4:1	DESIGN UNITS METRIC	THIRD ANGLE PROJECTION	REVISE ON CAD ONLY															
	▼ -0 ∇ -0	<table border="1"> <thead> <tr> <th></th> <th>mm</th> <th>INCH</th> </tr> </thead> <tbody> <tr> <td>4 PLACES</td> <td>± ---</td> <td>± ---</td> </tr> <tr> <td>3 PLACES</td> <td>± ---</td> <td>± ---</td> </tr> <tr> <td>2 PLACES</td> <td>± 0.13</td> <td>± ---</td> </tr> <tr> <td>1 PLACE</td> <td>± 0.25</td> <td>± ---</td> </tr> </tbody> </table>		mm	INCH	4 PLACES	± ---	± ---	3 PLACES	± ---	± ---	2 PLACES	± 0.13	± ---	1 PLACE	± 0.25	± ---	DIMENSION STYLE MM ONLY	TITLE	SALES DRAWING FOR R/A GANGED RF CONNECTOR ASSEMBLIES	
				mm	INCH																
	4 PLACES	± ---	± ---																		
3 PLACES	± ---	± ---																			
2 PLACES	± 0.13	± ---																			
1 PLACE	± 0.25	± ---																			
DRAFT WHERE APPLICABLE	MUST REMAIN WITHIN DIMENSIONS	APPROVED BY REGNIER	DATE 01-03-20	MATERIAL NO. SEE CHART	DOCUMENT NO. SD-74642-001	SHEET NO. 2 OF 4															
J2	REV	THIS DRAWING CONTAINS INFORMATION THAT IS PROPRIETARY TO MOLEX INCORPORATED AND SHOULD NOT BE USED WITHOUT WRITTEN PERMISSION																			

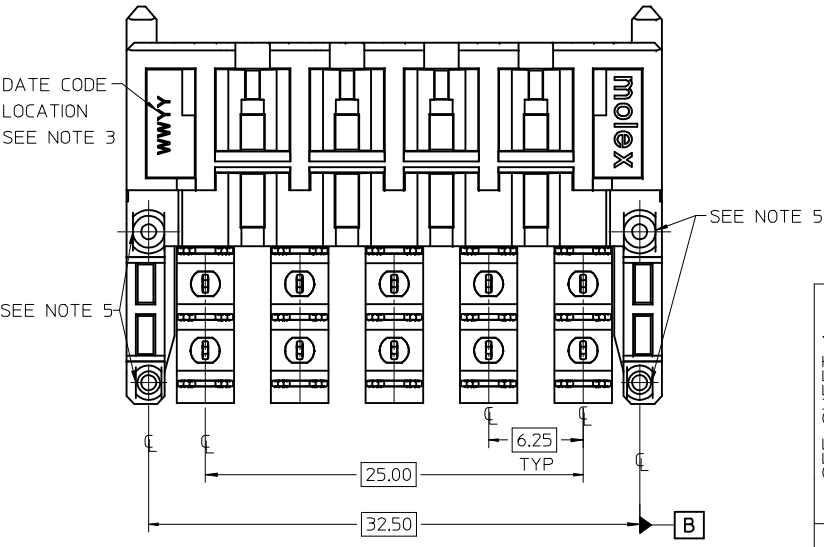
MATERIAL NO.	74642
TERMINAL LOADING BY POSITION	
74642-2001	2, 5, 8, 11, 14
74642-2002	8, 11, 14



5 TERMINAL BAY ASSEMBLY
POSITION 8,11,14 SHOWN
MATERIAL NO. 74642-2002

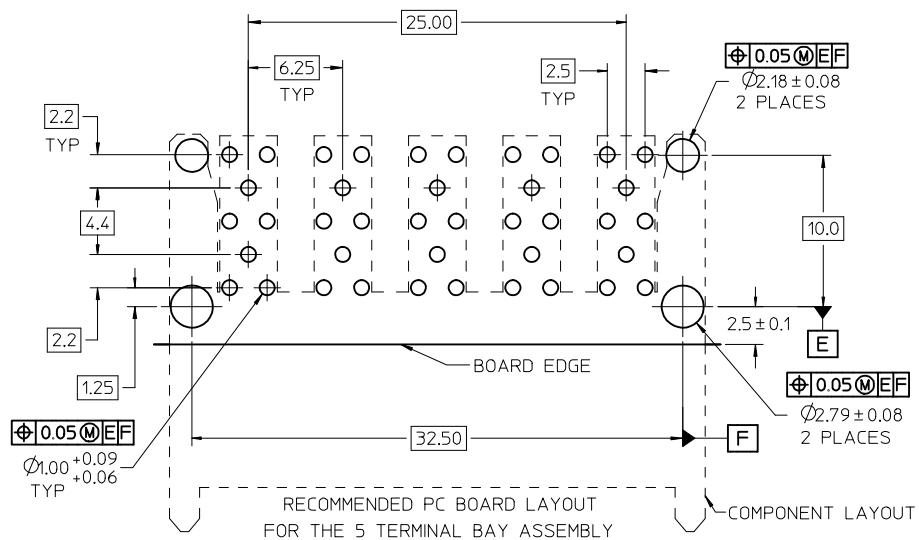
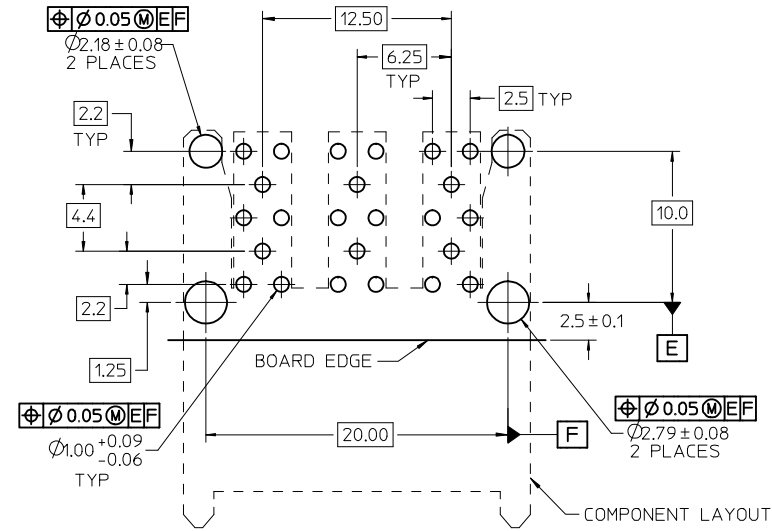
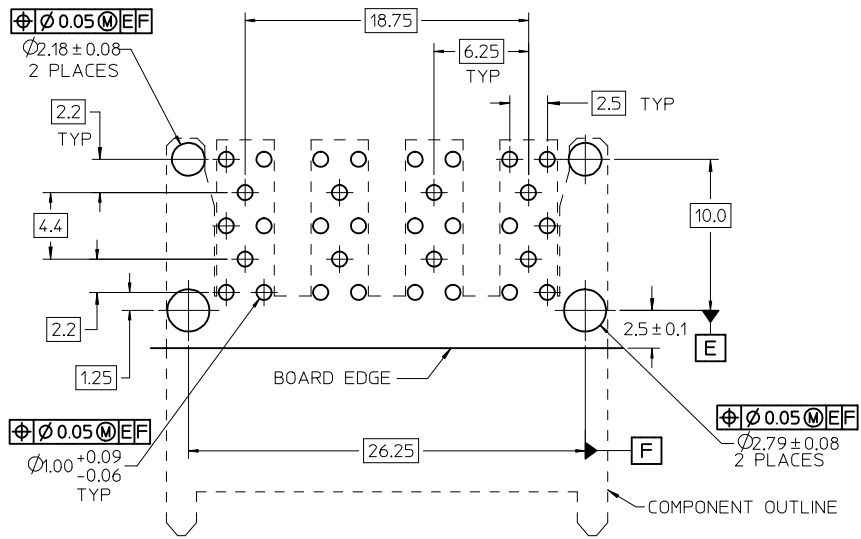


5 TERMINAL BAY ASSEMBLY
POSITION 2,5,8,11,14 SHOWN
MATERIAL NO. 74642-2001



NOTE: REFER TO SHEET 1 FOR ALL DIMENSIONS,
SECTION VIEW AND NOTES NOT SHOWN.

SEE SHEET 1 EC NO: UCP2009-0995 DRWN: J.MENDOZA 2008/10/21 CHKD: 2008/10/21 APPR: J.BINGHAM 2008/10/21	QUALITY SYMBOLS	GENERAL TOLERANCES (UNLESS SPECIFIED)	SCALE 4:1	DESIGN UNITS METRIC	THIRD ANGLE PROJECTION	REVISE ON CAD ONLY
	▽ -0 ∇ -0	4 PLACES ± --- ± --- 3 PLACES ± --- ± --- 2 PLACES ± 0.13 ± --- 1 PLACE ± 0.25 ± --- ANGULAR ± 2 °	DIMENSION STYLE MM ONLY	TITLE	SALES DRAWING FOR R/A GANGED RF CONNECTOR ASSEMBLIES	
	DRAFT WHERE APPLICABLE MUST REMAIN WITHIN DIMENSIONS	APPROVED BY REGNIER	DATE 01-03-20	MATERIAL NO. SEE CHART	DOCUMENT NO. SD-74642-001	SHEET NO. 3 OF 4
	THIS DRAWING CONTAINS INFORMATION THAT IS PROPRIETARY TO MOLEX INCORPORATED AND SHOULD NOT BE USED WITHOUT WRITTEN PERMISSION					



NOTES:

- MATERIAL:
 - R/A HSG: GLASS FILLED LIQUID CRYSTAL POLYMER, COLOR: NATURAL
 - OVERMOLDED TERMINAL ASSEMBLY: GLASS FILLED HIGH TEMP PLASTIC
 - INSERT MOLDED TERMINAL: GLASS FILLED LIQUID CRYSTAL POLYMER, COLOR NATURAL (ALL ABOVE HOUSINGS ARE UL 94V-0)
 - SLEEVE: BRASS
 - TERMINALS AND GROUNDS: TIN BRASS
 - DIE-CAST SHELLS: ZINC
- FINISH:
 - TERMINALS:
 - SELECTIVE 0.76 MICRONS MIN. GOLD (Au) IN CONTACT AREA
 - SELECTIVE 0.88 MICRONS MIN. TIN (Sn) ALLOY IN THE PC TAIL AREA
 - BOTH OVER 1.27 MICRONS MIN. NICKEL (Ni) UNDERPLATE.
 - GROUNDS:
 - 0.88 MICRONS MIN. TIN (Sn) ALLOY OVERALL
 - OVER 1.27 MICRONS MIN. NICKEL (Ni) UNDERPLATE.
 - DIE-CAST SHIELDS:
 - 3.05 MICRONS MIN. BRIGHT TIN (Sn) ALLOY OVER
 - 1.27 MICRONS MIN. NICKEL (Ni) ALLOY OVER:
 - BOTH OVER 8.13 MICRONS MIN. COPPER (Cu) UNDERPLATE.
- REFER TO PS-74854-001 PRODUCT SPEC FOR ALL ELECTRICAL, MECHANICAL AND ENVIRONMENTAL SPECIFICATIONS.
- REFER TO PK-74642-001 FOR ALL PACKAGING SPECIFICATIONS.
- THESE PARTS CONFORM TO MOLEX COSMETIC SPECIFICATION PS-45499-002 CLASS B, EXCEPT ON THE PLASTIC PEGS, CLASS C

ADD NOTE 5 EC NO: JCP2009-0995 DRWN: JMENDOZA 2008/10/21 CHKD: 2008/10/21 APPR: JBINGHAM 2008/10/21	QUALITY SYMBOLS	GENERAL TOLERANCES (UNLESS SPECIFIED)	SCALE 4:1	DESIGN UNITS METRIC	THIRD ANGLE PROJECTION	REVISE ON CAD ONLY
	▼ -0 ∇ ±0	mm	INCH	DIMENSION STYLE		TITLE
		4 PLACES ± ---	± ---	MM ONLY		
		3 PLACES ± ---	± ---	DRAWN BY DATE	J. LONG 01-02-08	
2 PLACES ± 0.13	± ---	1 PLACE ± 0.25	± ---	CHECKED BY DATE	J. LONG 01-02-08	MOLEX INCORPORATED SEE CHARTS SD-74642-001
ANGULAR ± 2 °		DRAFT WHERE APPLICABLE		APPROVED BY DATE	REGNIER 01-03-20	
MUST REMAIN WITHIN DIMENSIONS		THIS DRAWING CONTAINS INFORMATION THAT IS PROPRIETARY TO MOLEX INCORPORATED AND SHOULD NOT BE USED WITHOUT WRITTEN PERMISSION				