

PRODUCT NUMBER BPS8B21ACD-CO---

WITH "LF" SUFFIX	LEAD FREE OR RoHS COMPATIBLE PRODUCT
WITHOUT SUFFIX	LEADED PRODUCT

WIRE ACCOMODATION		
PRODUCT NUMBER	WIRE SIZE	CONTACT IDENTIFICATION
BPS8B21ACD0C0--	AWG28/30	0
BPS8B21ACD2C0--	AWG24/26	2

CONTACT PLATING	
PLATING CODE	PERFORMANCE LEVEL PER DIN41612
Z0	CLASS 3
Z1	CLASS 2
E9	CLASS 1

PERFORMANCES CHARACTERISTICS

- VOLTAGE RATING : 250 VAC (rms)
- CURRENT RATING : 1,5 A AT 25 °C, 1 A AT 70 °C.
- INSULATION RESISTANCE : 1000MΩINITIAL, 100MΩMIN. AFTER TEST
- DIELECTRIC WITH-
STANDING VOLTAGE : 1000 VAC (rms).
- CONTACT RESISTANCE : 15mΩMAX. INITIAL, 5mΩMAX. RISE OF INITIAL VALUE AFTER TEST.
- OPERATING TEMPERATURE*: -40 °C TO +125 °C.
- INSERTION FORCE : 1 N MAX./CONTACT.
- WITHDRAWAL FORCE : 0,2 N MIN./CONTACT.

*DEPENDING ON THE CABLE, THE MAX. TEMPERATURE CAN BE LOWER.
FOR STANDARD PVC INSULATED CABLE : 105 °C MAX.

CONSTRUCTION

- BODY MATERIAL : GLASS-REINFORCED THERMOPLASTIC (UL94V-0).
- COVER MATERIAL : POLYESTER (PBTP), COLOUR : BLACK.
- CONTACT MATERIAL : PHOSPHOR BRONZE.
- CONTACT FINISH : Au OVER Ni IN CONTACT AREA, SnPb ON SnPb ON I.D.C. TERMINAL FOR LEADED PRODUCTS. Sn (MATTE TIN) ON I.D.C. TERMINAL FOR LEAD FREE PRODUCTS.

- Z0 : PERFORMANCE LEVEL PER DIN41612 CLASS 3
- Z1 : PERFORMANCE LEVEL PER DIN41612 CLASS 2
- E9 : PERFORMANCE LEVEL PER DIN41612 CLASS 1
- OTHERS : CONSULT FCI

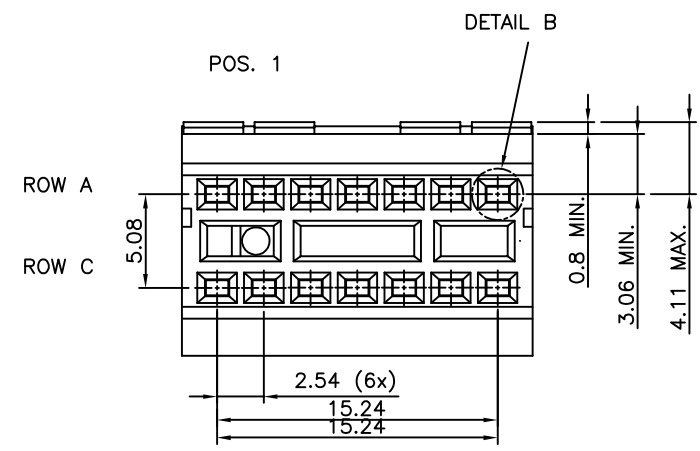
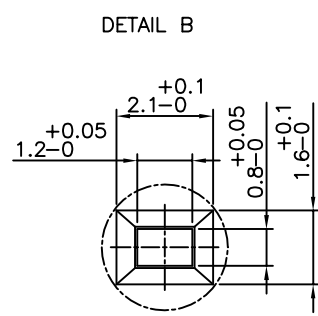
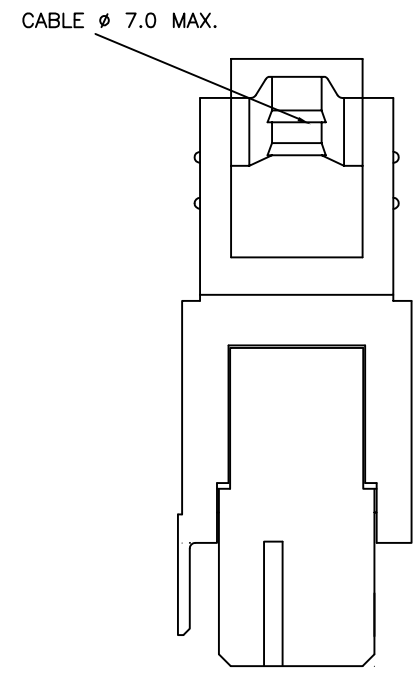
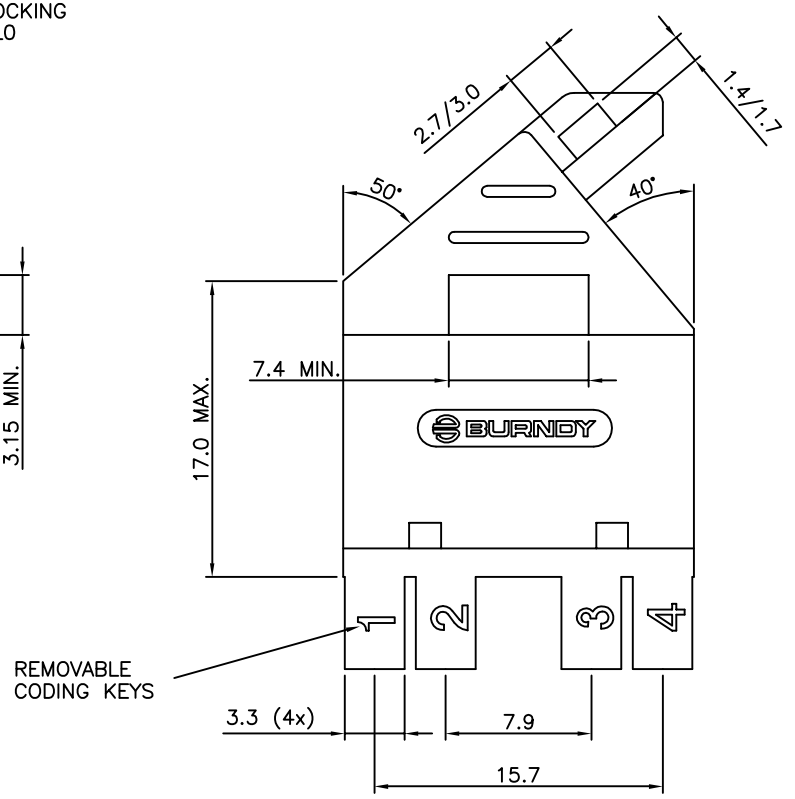
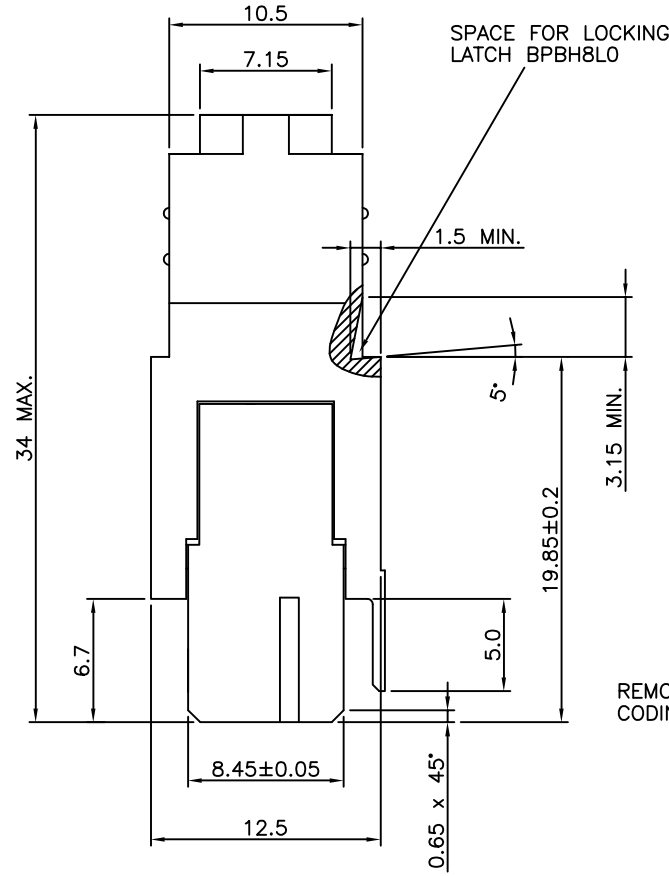
TIE-WRAP : OPTIONAL (PART N°. TF3)

AWG WIRE SIZE MARKING

- BPS8B21ACD0C0-- : 28/30.
- BPS8B21ACD0C0--LF : 28/30.
- BPS8B21ACD2C0-- : 24/26.
- BPS8B21ACD2C0--LF : 24/26.

DATECODE MARKING

A + YEAR & WEEKCODE, EXAMPLE : A9950.



mat'l. code		surface		tolerance		projection		product family	
SEE NOTE		ISO 1302		ISO 406 ISO 1101		mm		BPS8	
litr ecn no dr date		tolerances unless otherwise specified		angles linear		mm		title	
A	F00819	DLE	2000-10-23	±1°		mm		ASSY BPS8	
B	I05-0123	MINI	2005-07-27	±1°		mm		21 POS. A,C LOADED	
C	I06-0067	MINI	2006-06-01	±1°		mm		scale -	
sheet index		revision		C C C		dr		dwg no	
1 2 3		1 2 3		D.LEGRAND 2000-10-23		enagr J.F.NOTTEAU 2000-10-23		sheet 1 of 3 size	
				chr RAKHEE GEORGE 2006-06-01		appd RAKHEE GEORGE 2006-06-01		55351 A3	
								type Product Customer Drawing	

PRODUCT NUMBER BPS8B21ACD-00-----

WITH "LF" SUFFIX	LEAD FREE OR RoHS COMPATIBLE PRODUCT
WITHOUT SUFFIX	LEADED PRODUCT

WIRE ACCOMODATION		
PRODUCT NUMBER	WIRE SIZE	CONTACT IDENTIFICATION
BPS8B21ACD000--	AWG28/30	0
BPS8B21ACD200--	AWG24/26	2

CONTACT PLATING	
PLATING CODE	PERFORMANCE LEVEL PER DIN41612
Z0	CLASS 3
Z1	CLASS 2
E9	CLASS 1

NOTES:-
 1. THE "LF" PRODUCTS MEET EUROPEAN UNION DIRECTIVES AND OTHER COUNTRY REGULATIONS AS DESCRIBED IN GS-22-008
 2. LEAD FREE OR RoHS DIRECTIVE LABELING TO BE PROVIDED AS PER GS-14-920 FOR RoHS COMPATIBLE VERSION.

PERFORMANCES CHARACTERISTICS

VOLTAGE RATING : 250 VAC (rms)
 CURRENT RATING : 1,5 A AT 25 °C, 1 A AT 70 °C.
 INSULATION RESISTANCE : 1000MΩINITIAL, 100MΩMIN. AFTER TEST
 DIELECTRIC WITH-
 STANDING VOLTAGE : 1000 VAC (rms).
 CONTACT RESISTANCE : 15mΩMAX. INITIAL, 5mΩMAX. RISE OF INITIAL VALUE AFTER TEST.
 OPERATING TEMPERATURE*: -40 °C TO +125 °C.
 INSERTION FORCE : 1 N MAX./CONTACT.
 WITHDRAWAL FORCE : 0,2 N MIN./CONTACT.
 *DEPENDING ON THE CABLE, THE MAX. TEMPERATURE CAN BE LOWER.
 FOR STANDARD PVC INSULATED CABLE : 105 °C MAX.

CONSTRUCTION

BODY MATERIAL : GLASS-REINFORCED THERMOPLASTIC (UL94V-0).
 CONTACT MATERIAL : PHOSPHOR BRONZE.
 CONTACT FINISH : Au OVER Ni IN CONTACT AREA
 SnPb ON I.D.C. TERMINAL FOR LEADED PRODUCTS.
 Sn (MATTE TIN) ON I.D.C. TERMINAL FOR LEAD FREE PRODUCTS.
 Z0 : PERFORMANCE LEVEL PER DIN41612 CLASS 3
 Z1 : PERFORMANCE LEVEL PER DIN41612 CLASS 2
 E9 : PERFORMANCE LEVEL PER DIN41612 CLASS 1
 OTHERS : CONSULT FCI

PART NUMBERS

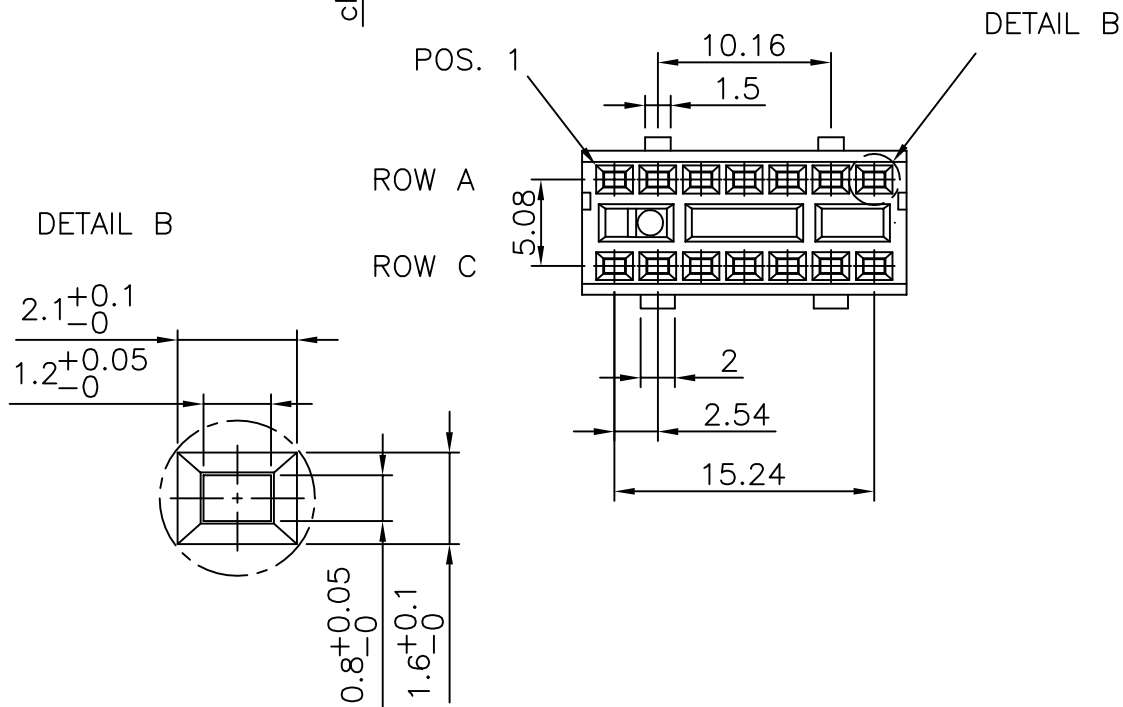
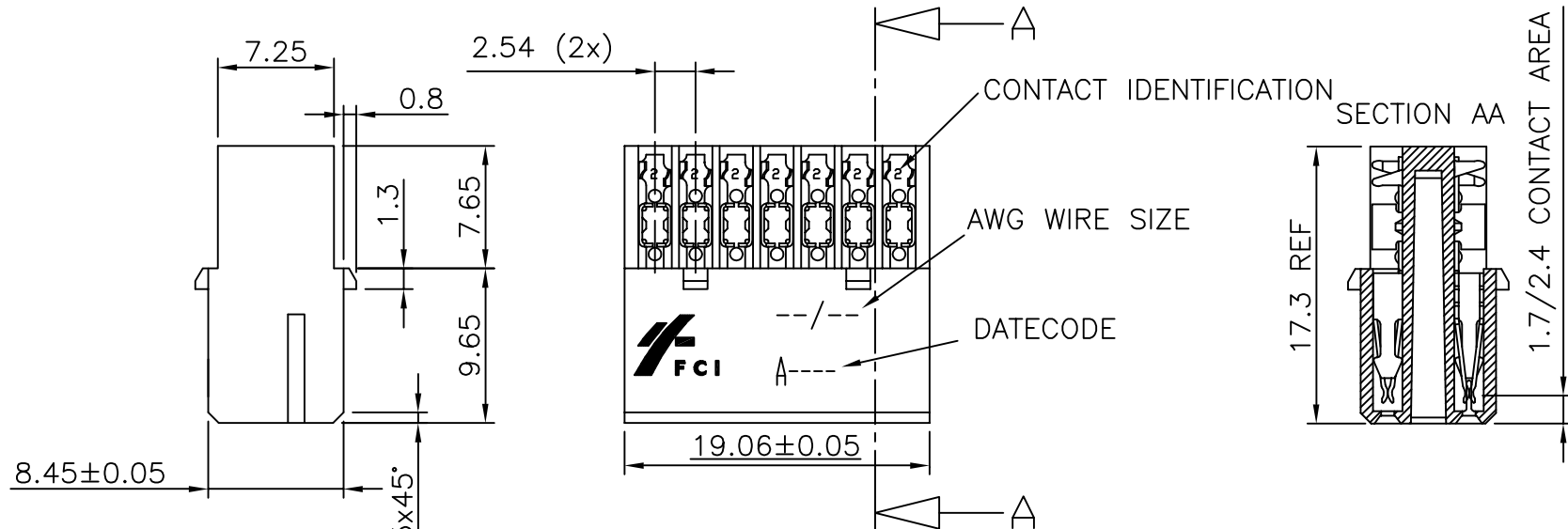
BPS8B21ACD000-- CONNECTOR FOR WIRE SIZE AWG28, AWG30.
 (CONTACT IDENTIFICATION : 0).
 BPS8B21ACD200-- CONNECTOR FOR WIRE SIZE AWG24, AWG26
 (CONTACT IDENTIFICATION : 2).

AWG WIRE SIZE MARKING

BPS8B21ACD000-- :28/30.
 BPS8B21ACD000--LF :28/30.
 BPS8B21ACD200-- :24/26.
 BPS8B21ACD200--LF :24/26.

DATECODE MARKING

A + YEAR & WEEKCODE, EXAMPLE : A9950.



mat'l. code		surface		tolerance		projection		product family	
SEE NOTE		ISO 1302		ISO 406 ISO 1101		mm		BPS8	
ltr	ecn no	dr	date	tolerances unless otherwise specified		mm		title	
A	F00819	DLE	2000-10-19	angles	linear	mm		ASSY BPS8	
B	I05-0123	MINI	2005-07-27			mm		21 POS. A,C LOADED	
C	I06-0067	MINI	2006-06-01	±1'		scale -			
		dr	D.LEGRAND	2000-10-19		FCI		dwg no	
		enr	J.F.NOTTEAU	2000-10-19				sheet 2 of 3	
		chr	RAKHEE GEORGE	2006-06-01				55351	
		app	RAKHEE GEORGE	2006-06-01				size	
								A3	
sheet index		revision sheet						type	
								Product Customer Drawing	

PRODUCT NUMBER BPS8B21ACD100L9

PRODUCT NUMBER BPS8B21ACD100L9LF

LEADED PRODUCT

LEAD FREE OR RoHS COMPATIBLE PRODUCT

CONTACT IDENTIFICATION

SECTION AA

NOTES:-

1. THE "LF" PRODUCTS MEET EUROPEAN UNION DIRECTIVES AND OTHER COUNTRY REGULATIONS AS DESCRIBED IN GS-22-008
2. LEAD FREE OR RoHS DIRECTIVE LABELING TO BE PROVIDED AS PER GS-14-920 FOR RoHS COMPATIBLE VERSION.

PERFORMANCES CHARACTERISTICS

- VOLTAGE RATING : 250 VAC (rms)
 CURRENT RATING : 1,5 A AT 25 °C, 1 A AT 70 °C.
 INSULATION RESISTANCE : 1000MΩINITIAL, 100MΩMIN. AFTER TEST
 DIELECTRIC WITH-
 STANDING VOLTAGE : 1000 VAC (rms).
 CONTACT RESISTANCE : 15mΩMAX. INITIAL, 5mΩMAX. RISE OF INITIAL VALUE AFTER TEST.
 OPERATING TEMPERATURE*: -40 °C TO +125 °C.
 INSERTION FORCE : 1 N MAX./CONTACT.
 WITHDRAWAL FORCE : 0,2 N MIN./CONTACT.
 *DEPENDING ON THE CABLE, THE MAX. TEMPERATURE CAN BE LOWER.
 FOR STANDARD PVC INSULATED CABLE : 105 °C MAX.

CONSTRUCTION

- BODY MATERIAL : GLASS-REINFORCED THERMOPLASTIC (UL94V-0).
 CONTACT MATERIAL : PHOSPHOR BRONZE.
 CONTACT FINISH : 1.25μ Au MIN. OVER 2μ Ni MIN. IN CONTACT AREA
 SnPb ON I.D.C. TERMINAL FOR LEADED PRODUCTS.
 Sn (MATTE TIN) ON I.D.C. TERMINAL FOR LEAD FREE PRODUCTS.

- CABLE : 3M FLEXIBLE TWISTED PAIR CABLE (WIRES & CABLE) TYPE 3782 PER UL STYLE/20488 OR TYPE 3783 PER UL STYLE/2935.

PART NUMBERS

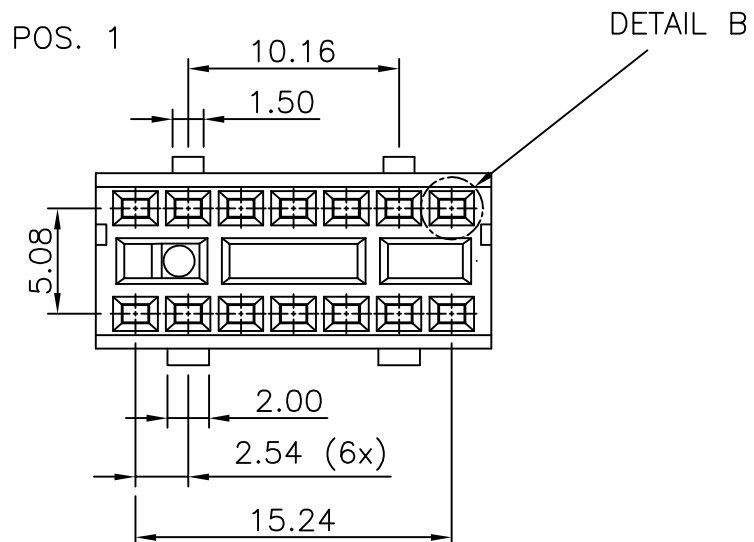
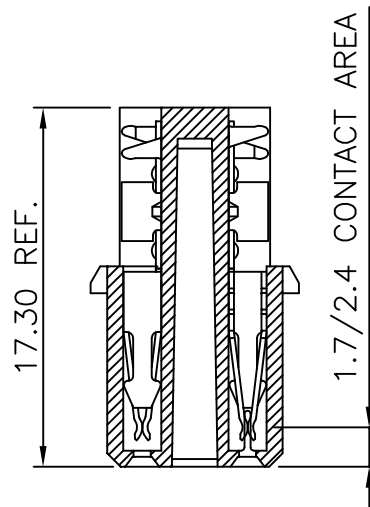
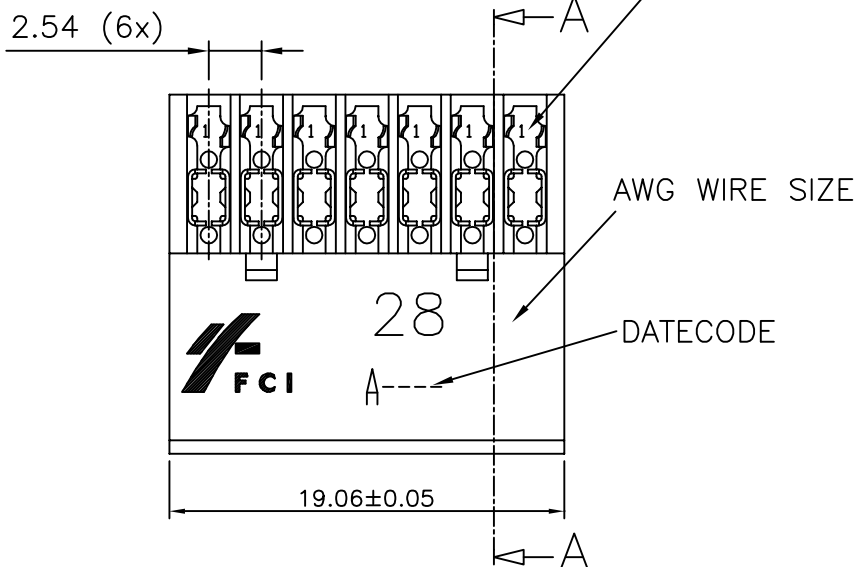
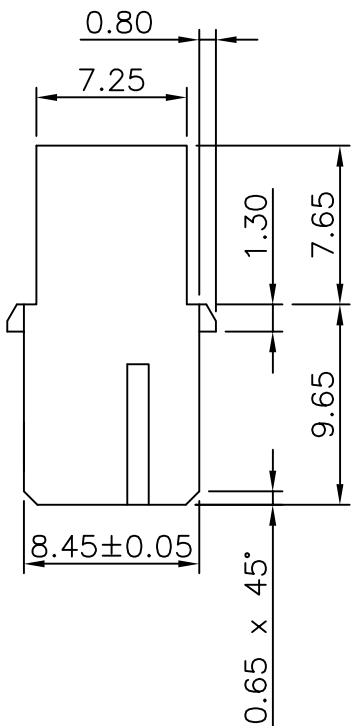
- BPS8B21ACD100L9-- CONNECTOR FOR WIRE SIZE AWG28.
 (CONTACT IDENTIFICATION : 1).

AWG WIRE SIZE MARKING

- BPS8B21ACD100L9 : 28
 BPS8B21ACD100L9LF : 28

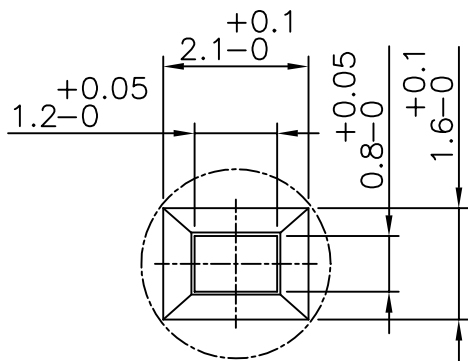
DATECODE MARKING

A + YEAR & WEEKCODE, EXAMPLE : A9950.



ROW A
ROW C

DETAIL B



mat'l. code		surface		tolerance		projection		product family	
SEE NOTE		ISO 1302		ISO 406 ISO 1101		mm		BPS8	
ltr	ecn no	dr	date	tolerances unless otherwise specified		mm		title	
A	F00819	DLE	2000-10-20	angles	linear	mm		ASSY BPS8	
B	I05-0123	MINI	2005-07-27			mm		21 POS. A,C LOADED	
C	I06-0067	MINI	2006-06-01	±1'			scale -		
		dr	D.LEGRAND	2000-10-20		FCI		dwg no	
		enr	J.F.NOTTEAU	2000-10-20				sheet 3 of 3	
		chr	RAKHEE GEORGE	2006-06-01				55351	
		appd	RAKHEE GEORGE	2006-06-01				A3	
sheet index		revision sheet						type Product Customer Drawing	