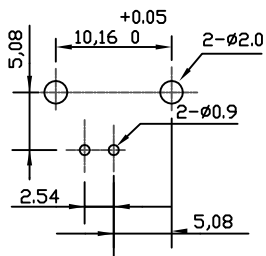
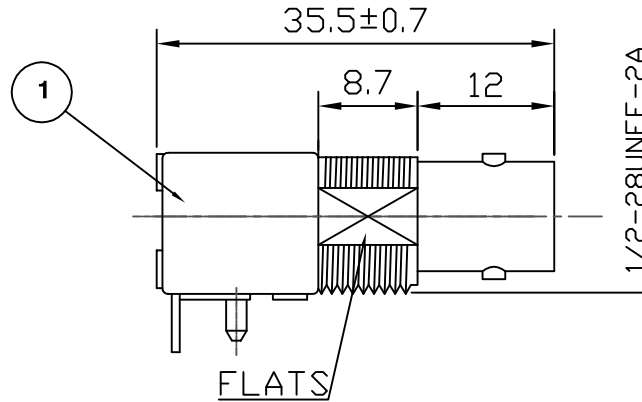
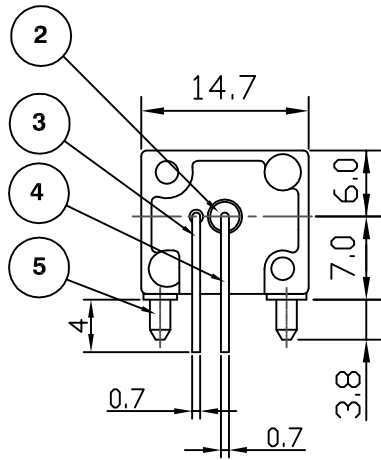
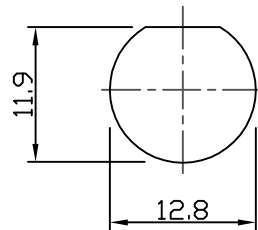


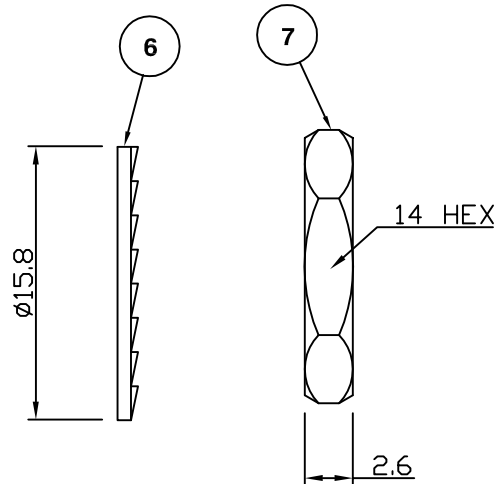
RoHS COMPLIANT



RECOMMENDED PCB LAYOUT



RECOMMENDED PANEL CUTOUT



Electrical Characteristics

Nominal Impedance:	75 ohms
Frequency Range:	DC to 1GHz
VSWR:	1.3:1 maximum
Insertion Loss:	0.2 dB at 1 GHz
Operating Voltage (rms):	500 V maximum at sea level
Dielectric Withstand Voltage (rms):	1500 V maximum at sea level
Contact Resistance:	3.0 milliohms maximum
Insulation Resistance:	5000 megohms minimum

Mechanical Characteristics

Mating Cycles:	500 cycles minimum
Interface Dimensions:	Conform to MIL-C-39012

Environmental Characteristics

Temperature Range:	-55 °C to +85 °C
--------------------	------------------

REF.	DESCRIPTION	MATERIAL	PLATING
1	Body	Zinc Alloy	Nickel
2	Insulator	POM	
3	Ground Terminal	Copper-Clad Steel	Tin
4	Socket Contact	Phosphor Bronze	Gold
5	Mount Post	Brass	Tin >5 Microns
6	Lock Washer	Brass	Nickel
7	Hex Nut	Brass	Nickel

DESCRIPTION OF REVISION	APPVD	ISS	DATE
Dimension Update	JC	5	13 May 15
Complete Update	KA	4	17 Mar 08
Plating thickness of mtg post added	MS	3	29 Nov 07
CAD Issue	PDC	2	06 Jun 02
First Issue	CBB	1	02 Sep 99



11 Bilton Road,
Chelmsford, Essex,
CM1 2UP UK.
Tel: +44 (0) 1245 359515
Fax: +44 (0) 1245 358938

SCALE: Not To Scale

DIMENSIONS: mm

TOLERANCES:
± 0.2mm unless
otherwise stated

DRAWN BY:

P Couzens

CHECKED BY:

P Couzens

APPROVED BY:

S Nash

DATE:

06 Jun 02

TITLE:

BNC Right Angle PCB Mount
Jack Low Profile 75 Ohm

PART NUMBER:

VBM211-75

PAGE: 1 of 1