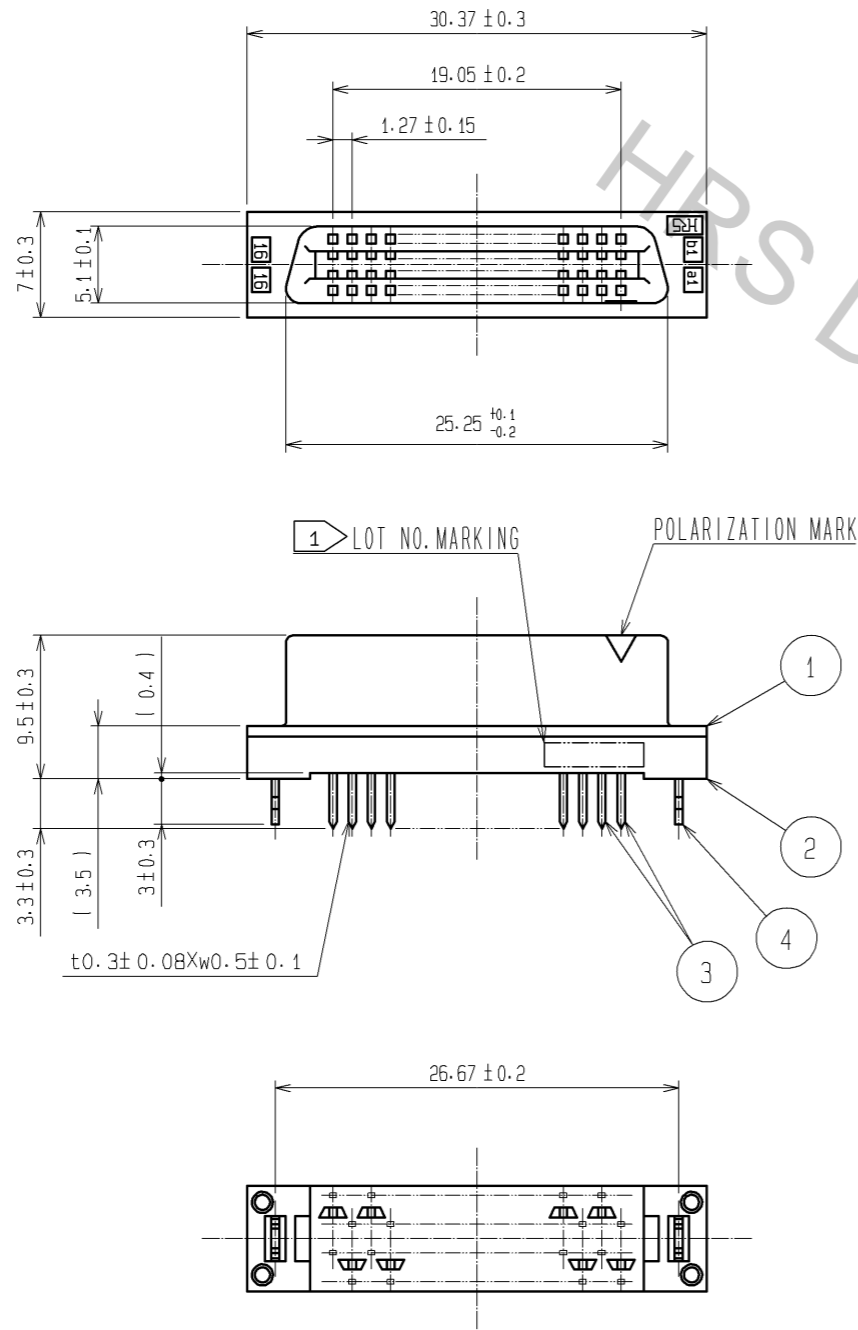
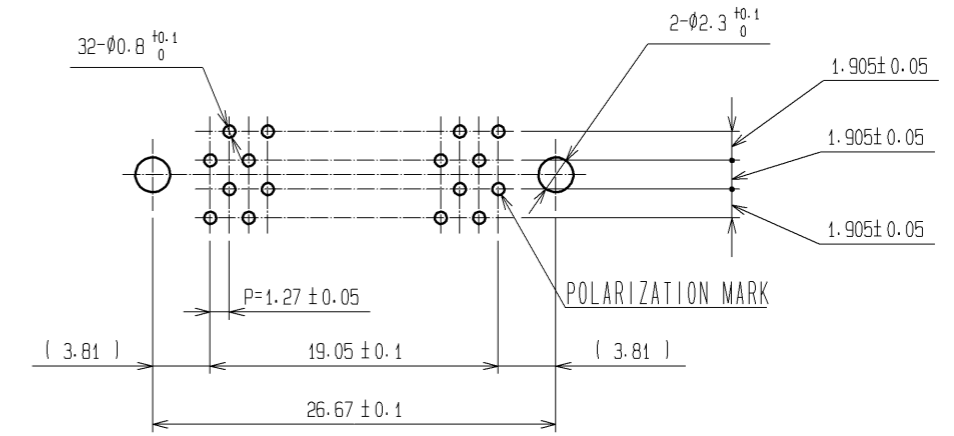


Apr.1.2017 Copyright 2017 HIROSE ELECTRIC CO., LTD. All Rights Reserved.



RECOMMENDED PC BOARD HOLE PATTERN
(MOUNTING SIDE) t = 1.6



NOTES 1 LOT NO. MARKING SIDE SHALL BE OPTIONAL.
2. THE DIMENSIONS IN PARENTHESES ARE FOR REFERENCE.

4	PHOSPHOR BRONZE	TIN-PLATING	3	PHOSPHOR BRONZE	CONTACT AREA : GOLD 0.2 μm min. DIP AREA : TIN-PLATING 2 μm min. UNDER PLATING : NICKEL 2 μm min.		
1.2	POLYAMIDE	BLACK , UL94V-0					
NO.	MATERIAL	FINISH , REMARKS	NO.	MATERIAL	FINISH , REMARKS		
UNITS mm		SCALE 2 : 1	COUNT 	DESCRIPTION OF REVISIONS	DESIGNED	CHECKED	DATE
HRS HIROSE ELECTRIC CO., LTD.		APPROVED : HS. OKAWA	07.08.10	DRAWING NO.	EDC3-083188-21		
		CHECED : HS. OZAWA	07.08.10	PART NO.	FX2C-32S-1.27DSAL(71)		
		DESIGNED : KY. NAKAMURA	07.08.10	CODE NO.	CL572-2452-8-71		
		DRAWN : TP. MATSUMOTO	07.08.09				