

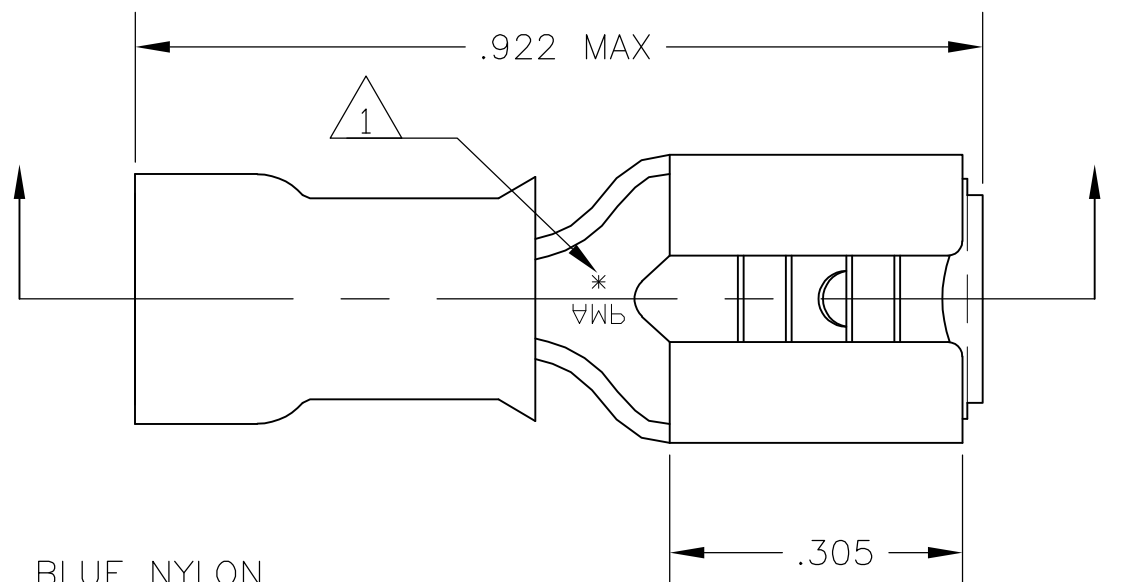
THIS DRAWING IS UNPUBLISHED.

RELEASED FOR PUBLICATION

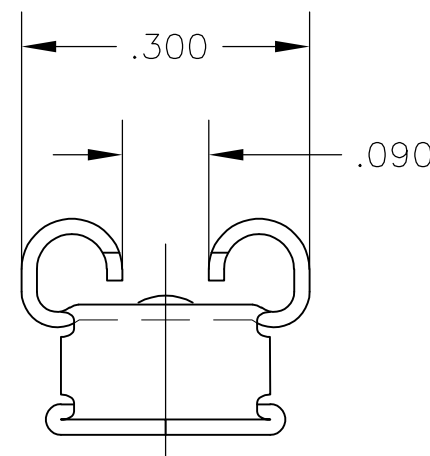
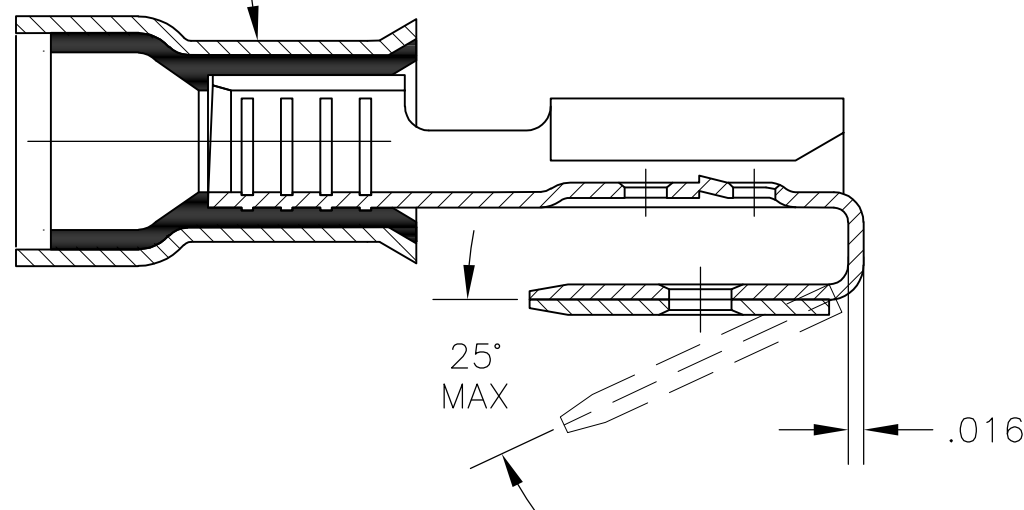
© COPYRIGHT - By -

ALL RIGHTS RESERVED.

| LOC | DIST | REVISIONS |     |                           |         |     |      |
|-----|------|-----------|-----|---------------------------|---------|-----|------|
|     |      | P         | LTR | DESCRIPTION               | DATE    | DWN | APVD |
| G   | 02   |           | F3  | REVISED PER ECO-11-004917 | 11MAR11 | RK  | HMR  |



BLUE NYLON INSULATION



- 1 MATING TAB THICKNESS .032
- 2 ASTERISK \* FOR PHOS. BRONZE ITEMS ONLY.
- 3 WIRE INSULATION DIA TO BE .170 MAX.
- 4 MAX RECOMMENDED OPERATING TEMP IS 105°C OR 221°F.
- 5 VOLTAGE RATING IS 300V MAX
- 6 CIRCULAR MIL AREA 1.0-2.5mm<sup>2</sup> [1973-4934].

|                         |            |
|-------------------------|------------|
| PHOS BRONZE ELECTRO-TIN | 9-160463-5 |
| BRASS ELECTRO-TIN       | 9-160463-2 |
| DESCRIPTION             | PART NO    |

|  |  |                  |              |  |                            |            |               |
|--|--|------------------|--------------|--|----------------------------|------------|---------------|
| THIS DRAWING IS A CONTROLLED DOCUMENT. |  | DWN              | jr_ruth      | 11JUL05  | <b>STE</b> TE Connectivity |            |               |
| DIMENSIONS:<br>INCHES                  |  | CHK              | T MICHELUTTI | 11JUL05  |                            |            |               |
| TOLERANCES UNLESS OTHERWISE SPECIFIED: |  | APVD             | T MICHELUTTI | 11JUL05  | NAME                       |            |               |
| 0 PLC ± -                              |  | PRODUCT SPEC     |              | 250 SERIES P.I.D.G. FASTON REC,<br>ASS'Y, PIGGYBACK<br>WIRE SIZE : 16-14 AWG |                            |            |               |
| 1 PLC ± -                              |  | APPLICATION SPEC |              | SIZE   | CAGE CODE                  | DRAWING NO | RESTRICTED TO |
| 2 PLC ± .02                            |  | MATERIAL         |              | A300779 C-160463   |                            |            |               |
| 3 PLC ± .005                           |  | FINISH           |              | CUSTOMER DRAWING   |                            |            | SCALE 5:1     |
| 4 PLC ± -                              |  |                  |              | SHEET 1 OF 1   |                            |            | REV F3        |
| ANGLES ± 0°30'                         |  |                  |              |  |                            |            |               |