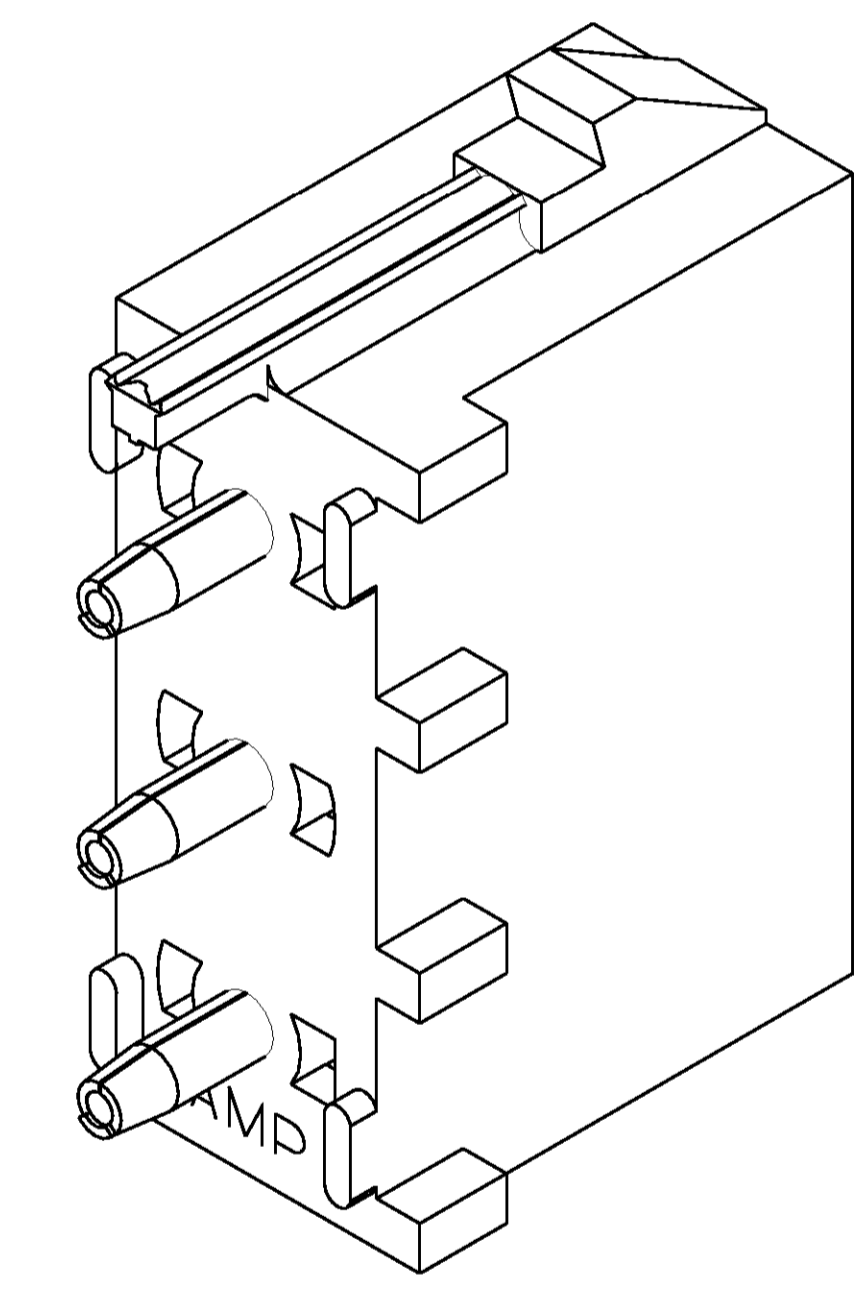
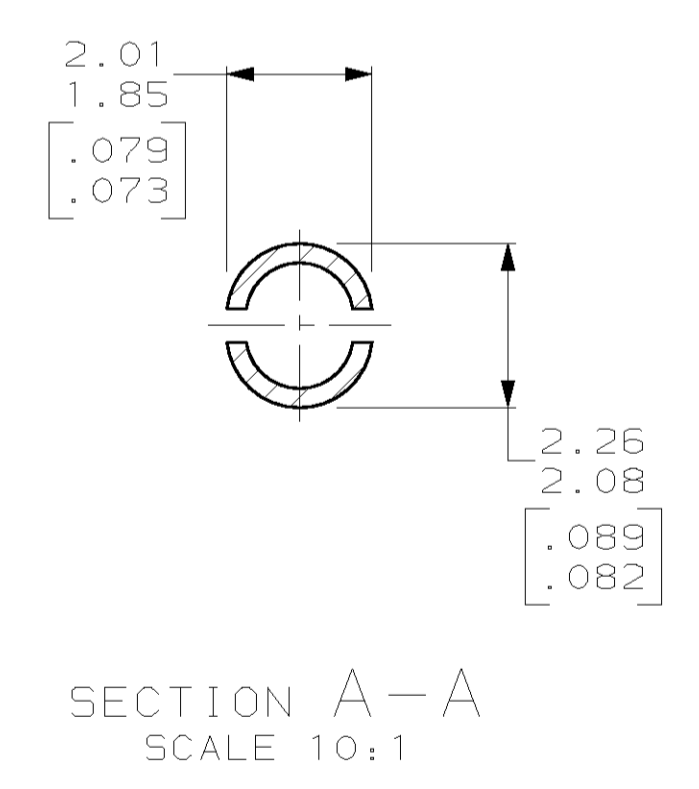
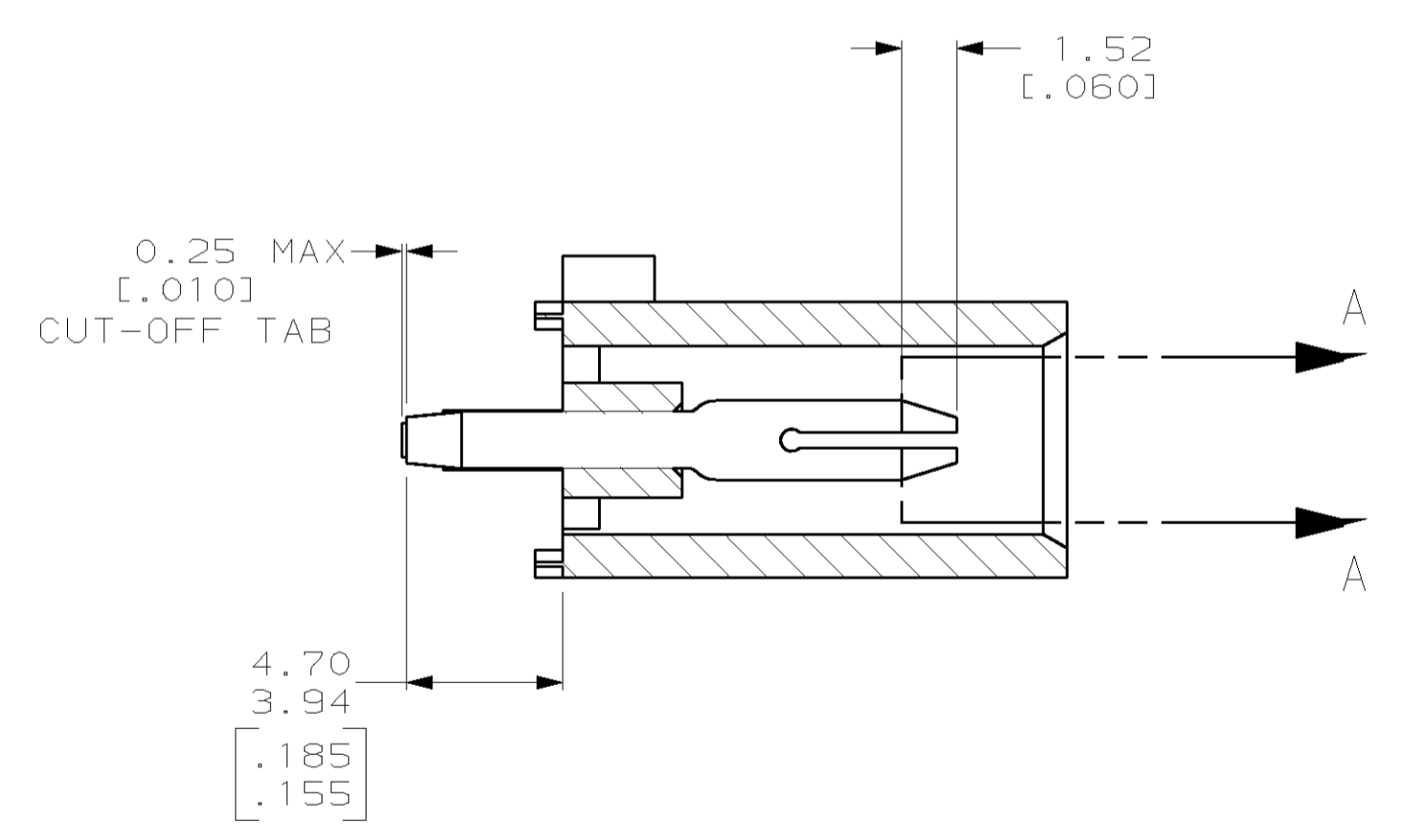
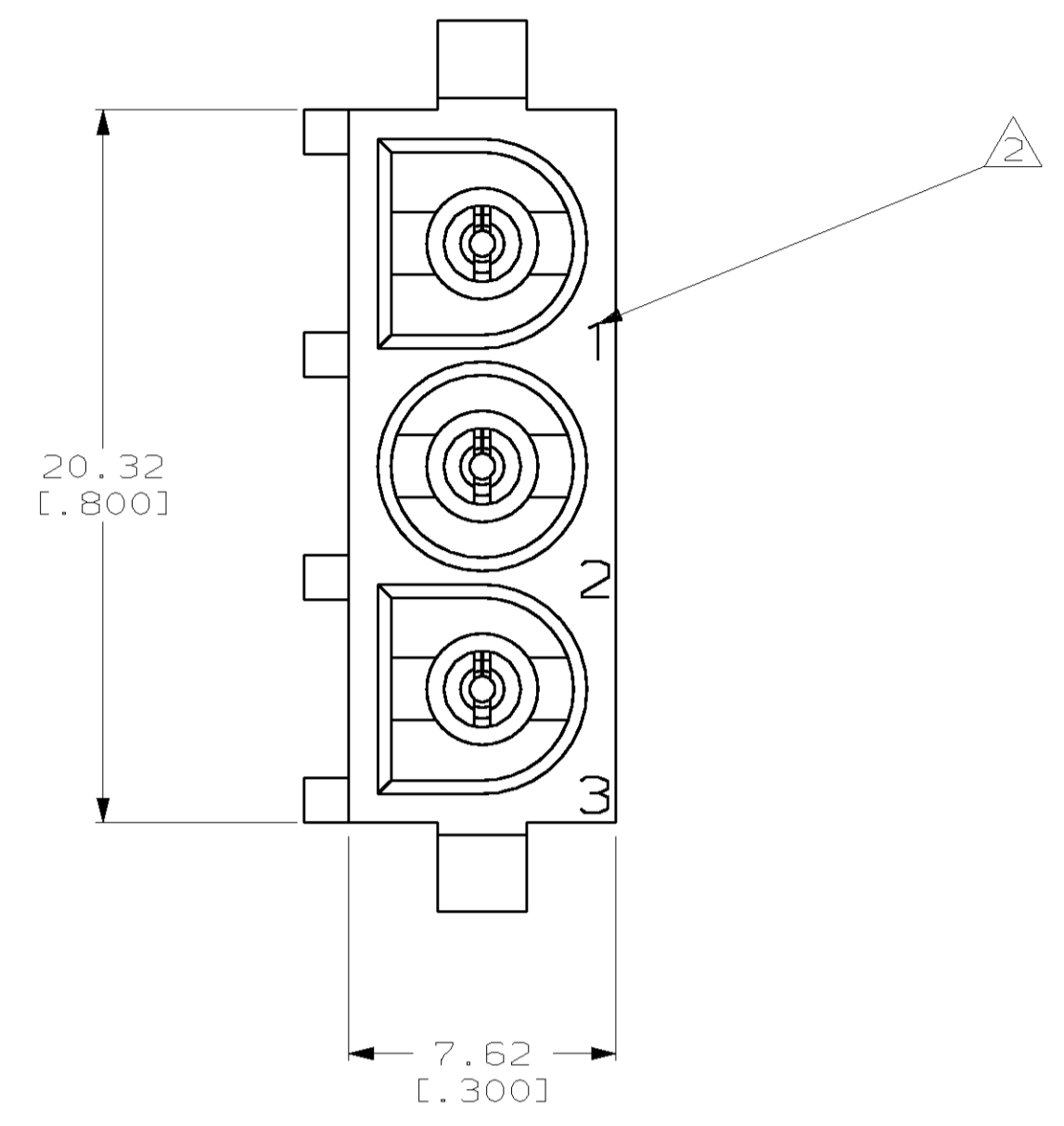
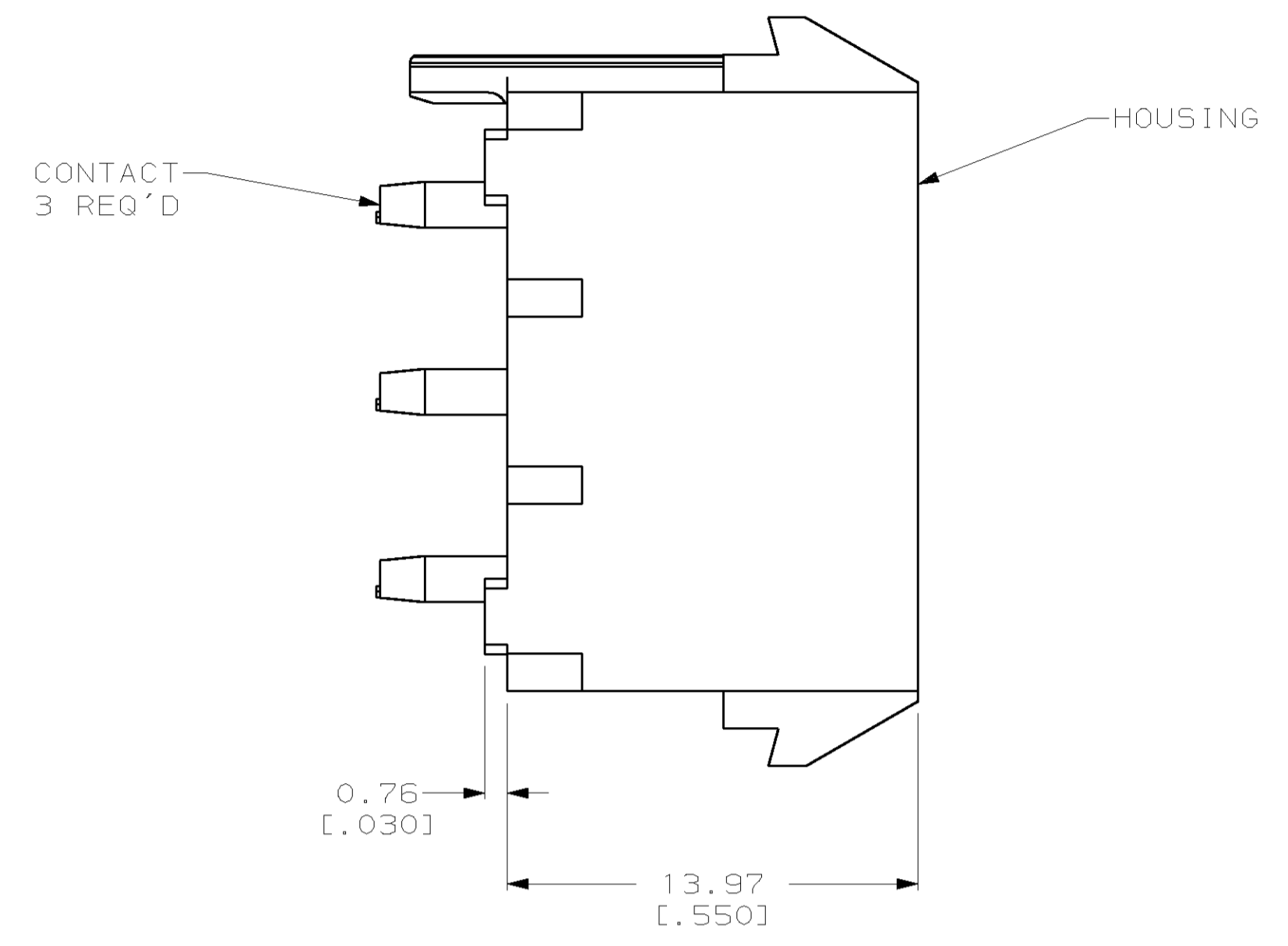
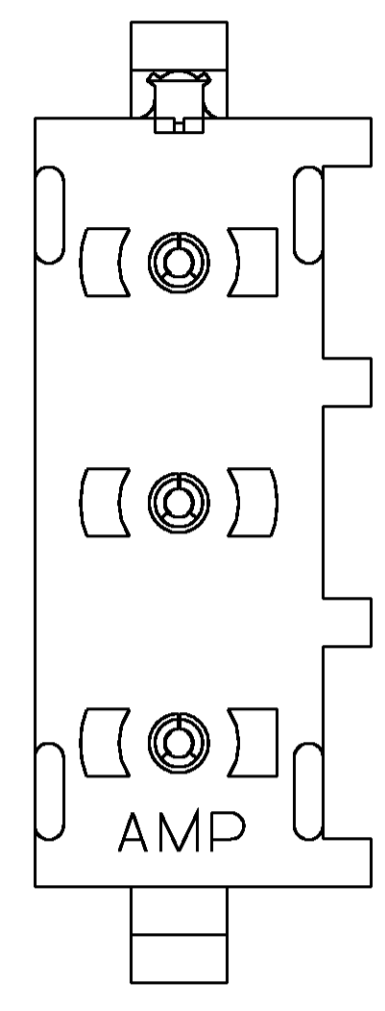
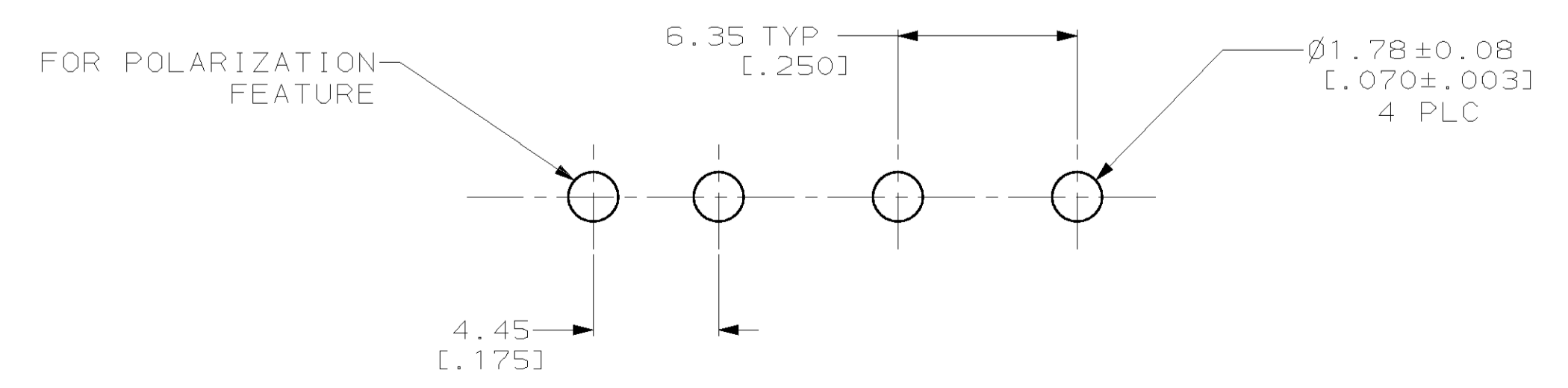


LOC		DIST		REVISIONS			
F	CHR	DATE	BY	APVD	DATE	BY	APVD
P		07-JAN-00	LM		07-JAN-00	LM	KC
CM		00		REV & REDWN PER EC 0638-0222-99			

- PARTS COMPLY TO AMP SOLDERABILITY SPECIFICATION 109-11-3.
- CIRCUIT IDENTIFICATION CHARACTERS ARE ADJACENT TO THE INDICATED CAVITIES, BUT LOCATION AND ORIENTATION MAY DIFFER FROM PRINT.
- DIMENSIONS IN BRACKETS ARE IN INCHES.



3-DIMENSIONAL MODEL
NTS



RECOMMENDED MOUNTING HOLE PATTERN
FOR 1.57 [.062] THICK P.C. BOARD

PHOSPHOR BRONZE, PRE-TIN	NYLON, UL94V-0, BLACK	1-641966-1
PHOSPHOR BRONZE, PRE-TIN	NYLON, UL94V-0, WHITE	641966-1
PIN CONTACT MATERIAL AND FINISH	HOUSING MATERIAL	PART NO



THIS DRAWING IS A CONTROLLED DOCUMENT.		DWN L. McEACHIN 07-JAN-2000	AMP Incorporated Harrisburg, PA 17105-3608
DIMENSIONS: mm (INCHES)		CHK K. COBLE 07-JUN-2000	
TOLERANCES UNLESS OTHERWISE SPECIFIED:		APVD K. COBLE 07-JUN-2000	NAME PIN HEADER ASSEMBLY, POLARIZED, 3 CIRCUIT, UNIVERSAL MATE-N-LOK™
0 PLC ± 1 PLC ± 2 PLC ±0.13 (.005) 3 PLC ± 4 PLC ±		PRODUCT SPEC APPLICATION SPEC	
MATERIAL SEE TABLE	FINISH SEE TABLE	SIZE A1 00779	DRAWING NO C-641966
CUSTOMER DRAWING		SCALE 5:1	SHEET 1 OF 1