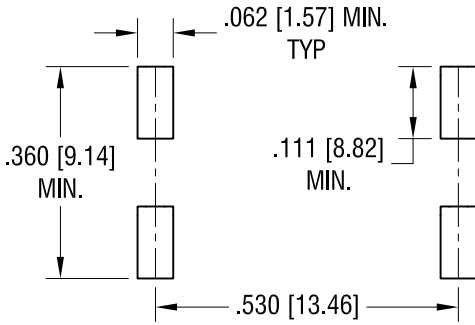
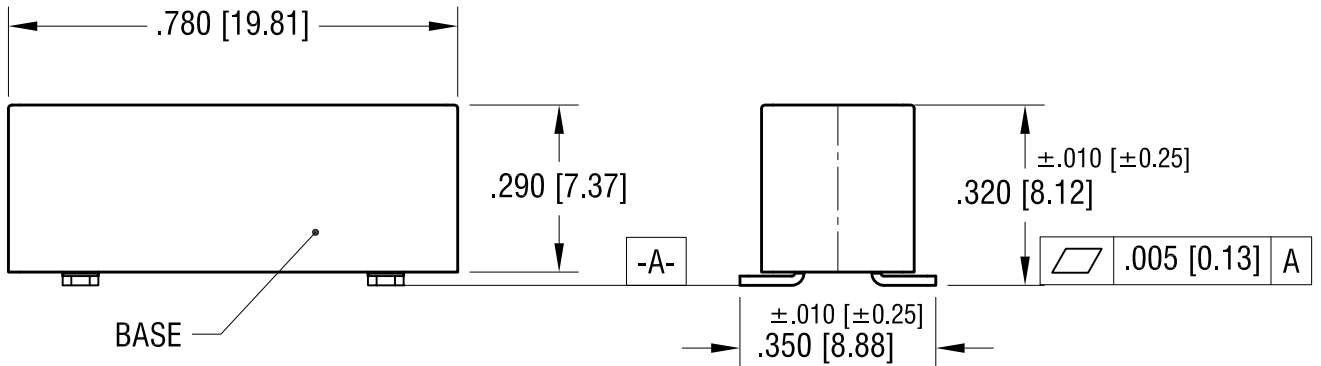
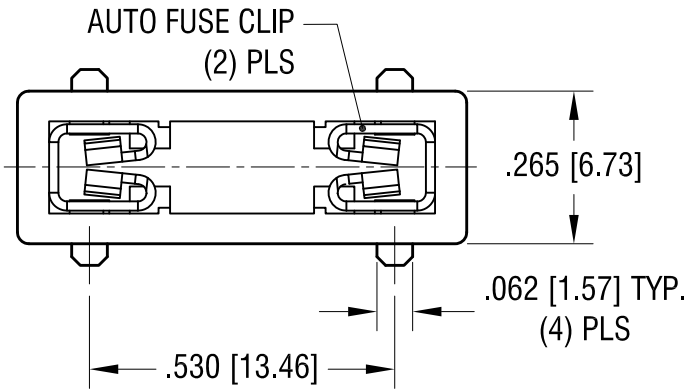
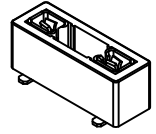


THIS DOCUMENT IS THE PROPERTY OF
KEYSTONE ELECTRONICS CORP. AND
SHALL NOT BE REPRODUCED, DISTRIBUTED
OR USED AS A BASIS FOR MANUFACTURE
WITHOUT PRIOR WRITTEN PERMISSION
FROM KEYSTONE ELECTRONICS CORP.

MOUNTING DETAIL



ACTUAL SIZE



NOTE:

1. BASE: MAT'L:

MAT'L: HEAT RESISTANCE NYLON
STANYL 46 OR EQUIVALENT
COLOR- RED

2. CLIP: MAT'L- .016 [0.40] TH'K BRASS,
FINISH- MATTE TIN PLATE

KEYSTONE ELECTRONICS CORP.			
www.keyelco.com • ASTORIA, N.Y. 11105-2017 • Tel (718) 956-8900			
PART NAME		SM AUTO-FUSE HOLDER	
MATERIAL		AS NOTED	
FINISH	AS NOTED	DRN BY NT	DATE 6.14.16
		APP'D LN	SCALE 3X
TOLERANCES	INCH [MM]	CODE	DWG NO.
DECIMAL	± .005 [± 0.13]	C	3587-10
ANGULAR	± 1°		
UNLESS OTHERWISE SPECIFIED			

DATE	DESCRIPTION	REV.	
------	-------------	------	--