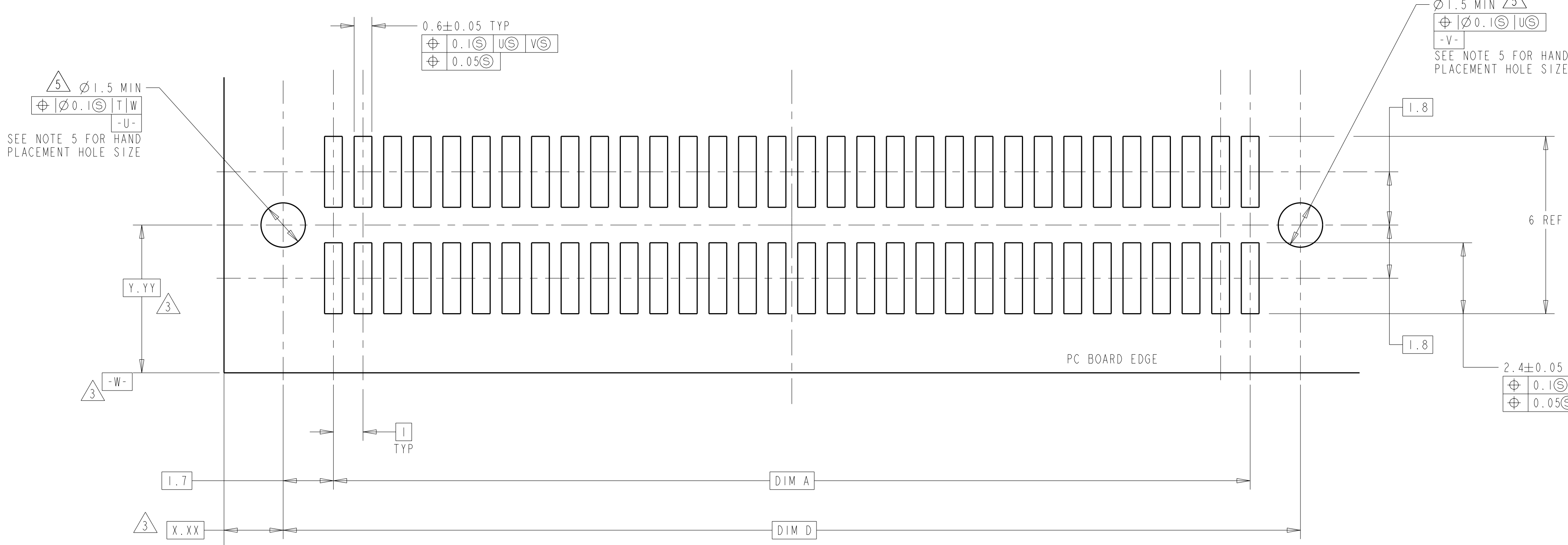
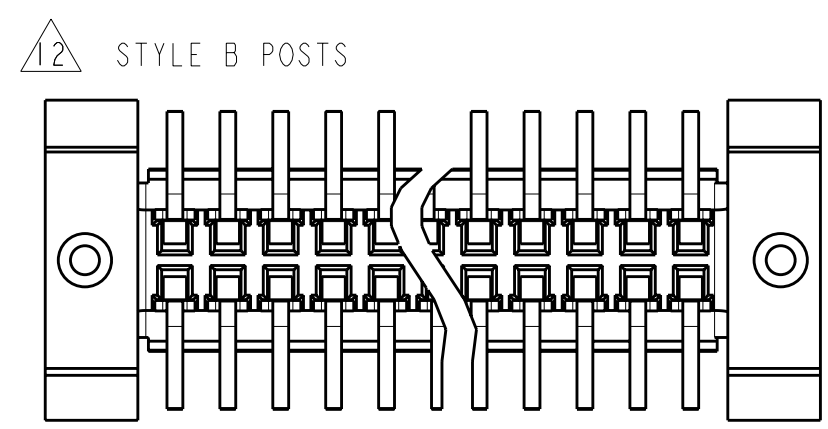
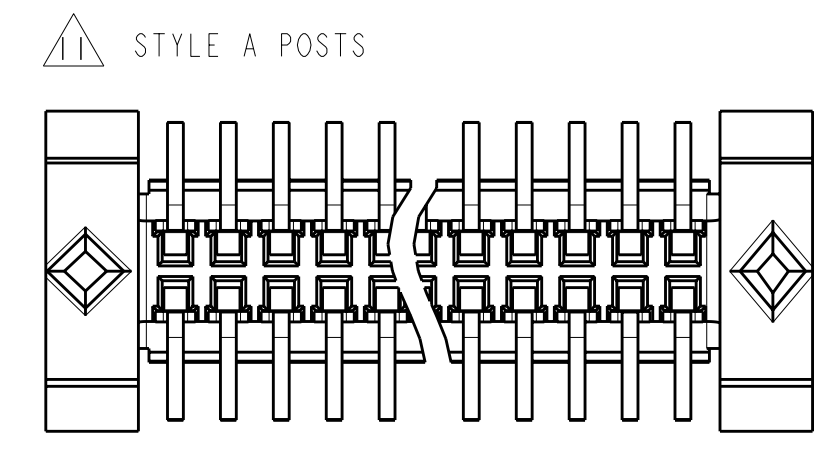
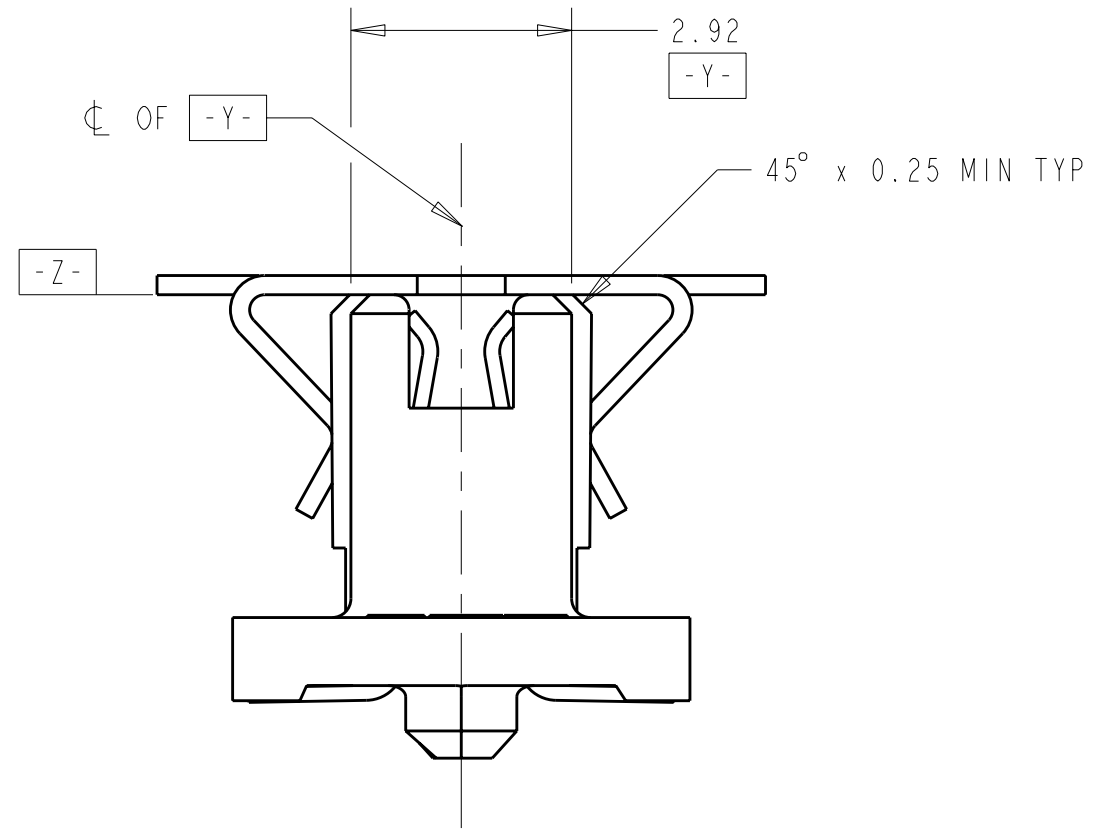
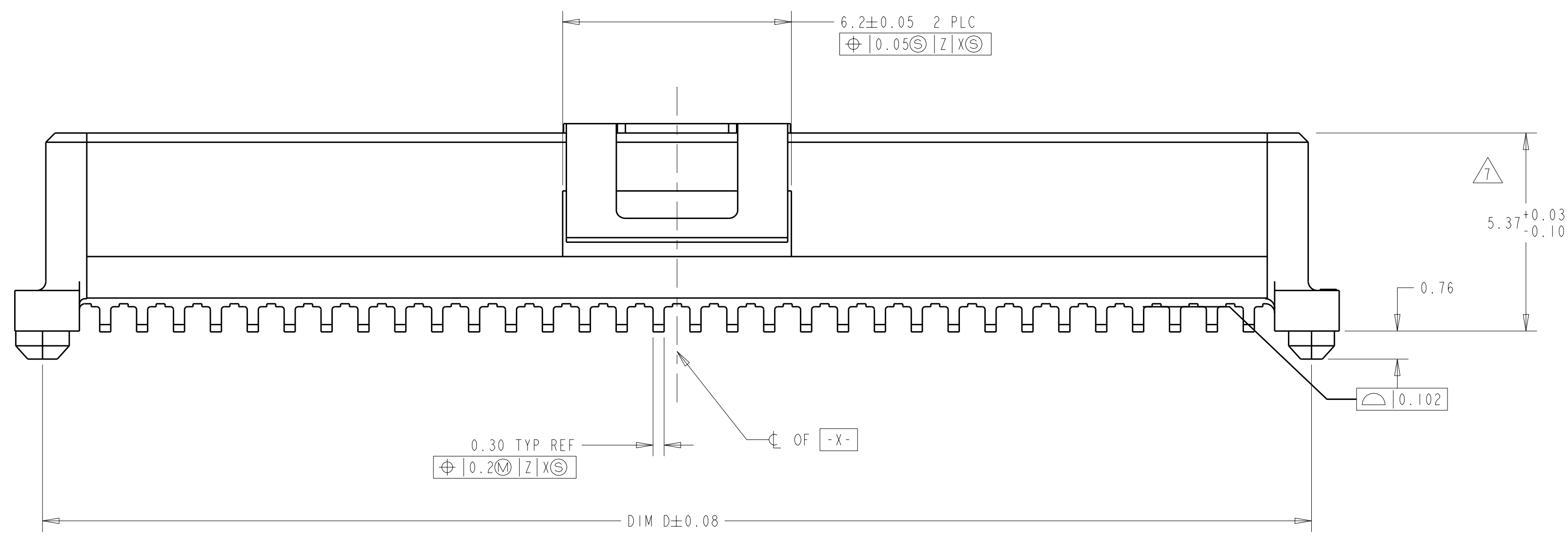
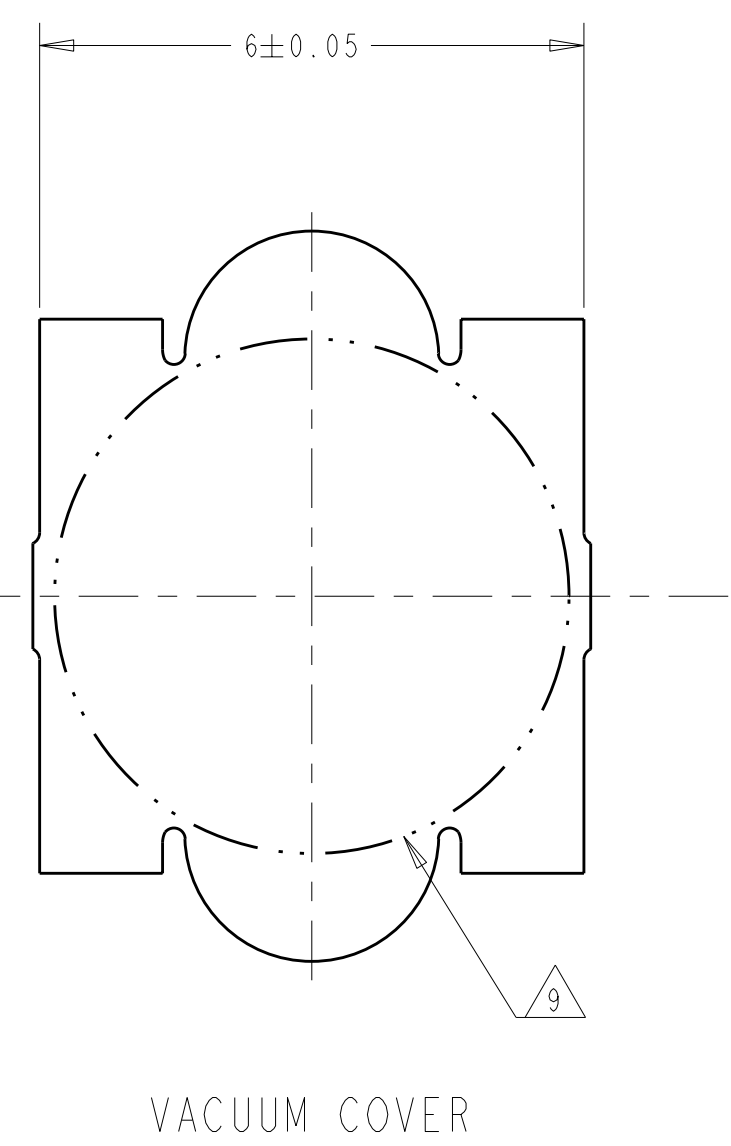
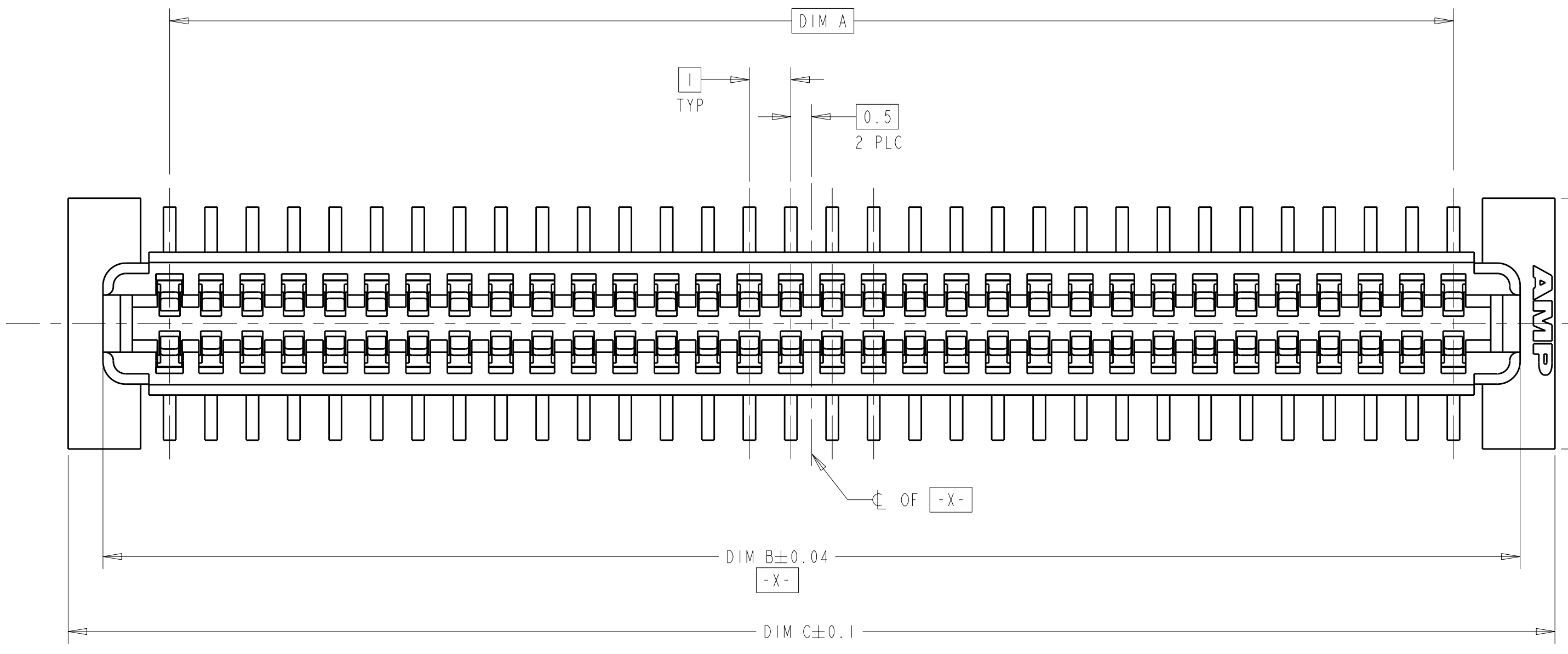


LOC	DIST	REV	DATE	BY	CHK	APPD
AD	00	B2	19APR2011	RK	HMR	

- 1 GENERAL HOUSING MATERIAL: HIGH TEMPERATURE THERMOPLASTIC, COLOR: BLACK. CONTACT MATERIAL: PHOSPHOR BRONZE.
- 2 CONTACT FINISH: NICKEL UNDERPLATE ALL OVER, MATING SURFACES PLATED TO MEET PLI PERFORMANCE REQUIREMENTS OF INDUSTRY SPECIFICATION EIA-700AAAB, SOLDER TAILS PLATED TIN.
- 3 DATUM LOCATIONS AND BASIC DIMENSIONS TO BE ESTABLISHED BY THE CUSTOMER. CONSULT AMP ENGINEERING WHEN PLACING MULTIPLE CONNECTORS ON A PC BOARD.
- 4 PACKAGED IN TAPE ON REEL PER EIA-481.
- 5 1.4±0.05 DIAMETER HOLE WHEN PLACING BY HAND.
- 6 SHORTER SOLDER LANDS MAY BE USED PER EIA 700AAAB, HOWEVER 2.4 LENGTH ASSURES OPTIMUM SOLDER FILLET REGARDLESS OF MANUFACTURER OF CONNECTOR.
- 7 REFERRED TO AS DIM H = 5.30±0.1 IN EIA 700AAAB SPECIFICATION.
- 8 VACUUM COVER NOT SHOWN IN SOME VIEWS FOR CLARITY.
- 9 5.5 MIN DIAMETER TARGET AREA FOR VACUUM PICK-UP.
- 10 CONTACT FINISH: 0.00381 MINIMUM MATTE TIN PER ASTM B 545 ON SOLDER AREA. 0.00127 MINIMUM GOLD PER ASTM B 488 ON MATING AREA. BOTH OVER 0.00127 MINIMUM NICKEL PER SAE-AMS-QQ-N-290 ON ENTIRE CONTACT.
- 11 SQUARE AND DIAMOND SHAPED POSTS
- 12 ROUND SHAPED POSTS



POST STYLE	FINISH	DIM D	DIM C	DIM B	DIM A	STACK HEIGHTS	POS	PART NUMBER
11	10	44.4	45.9	44.22	41	8,9,10	84	3-5146893-2
12	10	34.4	35.9	34.22	31	8,9,10	64	3-5146893-1
11	2	44.4	45.9	44.22	41	8,9,10	84	2-5146893-2
12	2	34.4	35.9	34.22	31	8,9,10	64	2-5146893-1
11	10	44.4	45.9	44.22	41	8,9,10	84	1-5146893-2
12	10	34.4	35.9	34.22	31	8,9,10	64	1-5146893-1
11	2	44.4	45.9	44.22	41	8,9,10	84	5146893-2
12	2	34.4	35.9	34.22	31	8,9,10	64	5146893-1

THIS DRAWING IS A CONTROLLED DOCUMENT.

DMN: B. CARBO 30SEP04  
 CHK: R. WERTZ 30SEP04  
 APVD: R. WERTZ 30SEP04

PRODUCT SPEC: 502-1079  
 APPLICATION SPEC: 114-25045

NAME: RECEPTACLE ASSY, W/ VACUUM COVER, 1.0mm FH (IEEE 1386) CONNECTOR

SIZE: A1 CAGE CODE: C=5146893

SCALE: 10:1 SHEET: 1 OF 1 REV: B2