

**MICRO SWITCH**  
 FREEPORT ILLINOIS U.S.A.  
 A DIVISION OF HONEYWELL  
 FED MFG CODE 91929

**SWITCH - TOGGLE  
 FLUSH KEY**

CATALOG LISTING  
**1TP8 SERIES**  
**CHART 1**

THIS DRAWING COVERS A PROPRIETARY ITEM AND IS THE PROPERTY OF MICRO SWITCH, A DIVISION OF HONEYWELL. THIS DRAWING IS NOT TO BE COPIED OR USED WITHOUT THE APPROVAL OF MICRO SWITCH.

CATALOG LISTING

CIRCUIT MADE WITH  
 BUTTON DEPRESSED ON

LUG SIDE (1-2)	CENTER (1-2)	OPPOSITE LUG (2-3)
----------------	--------------	--------------------

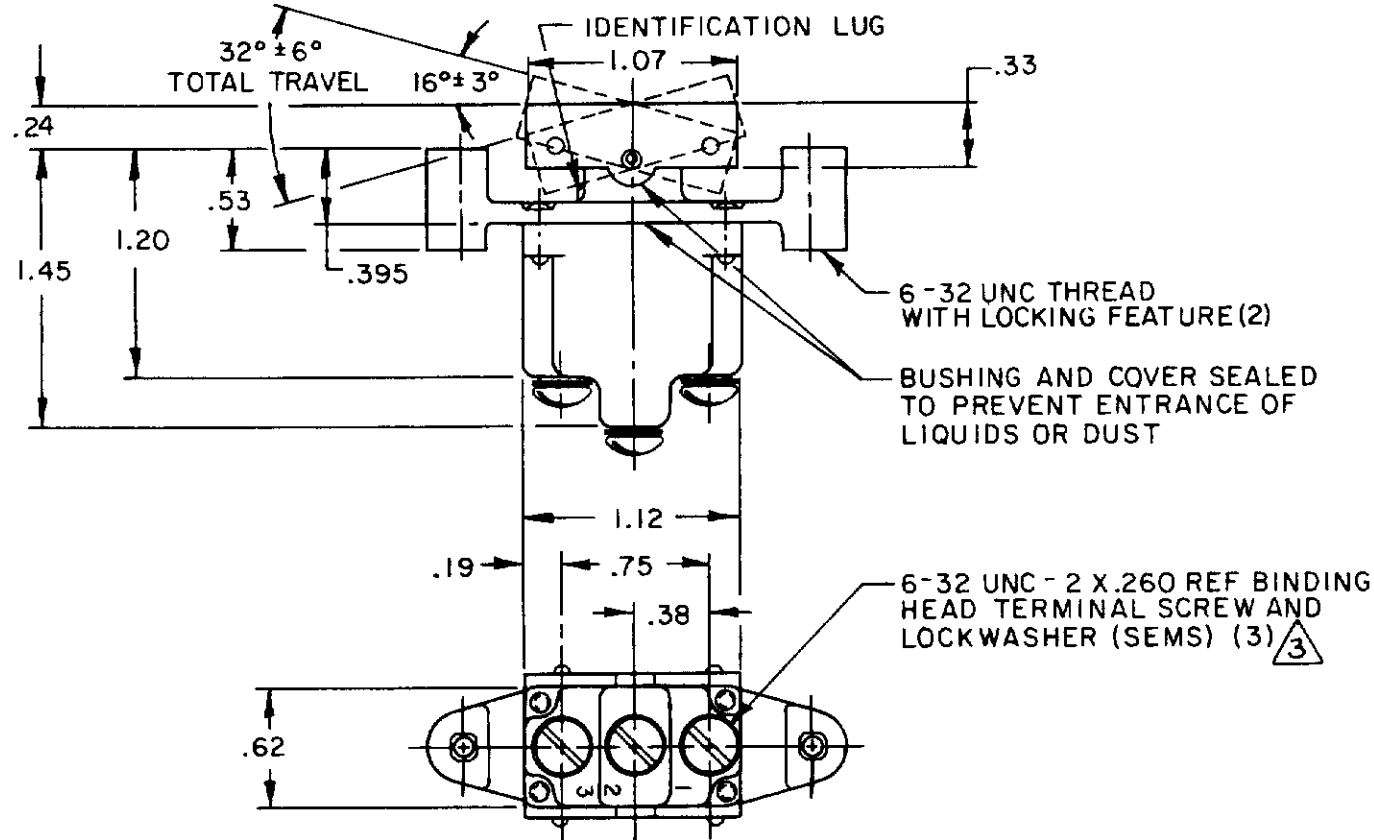
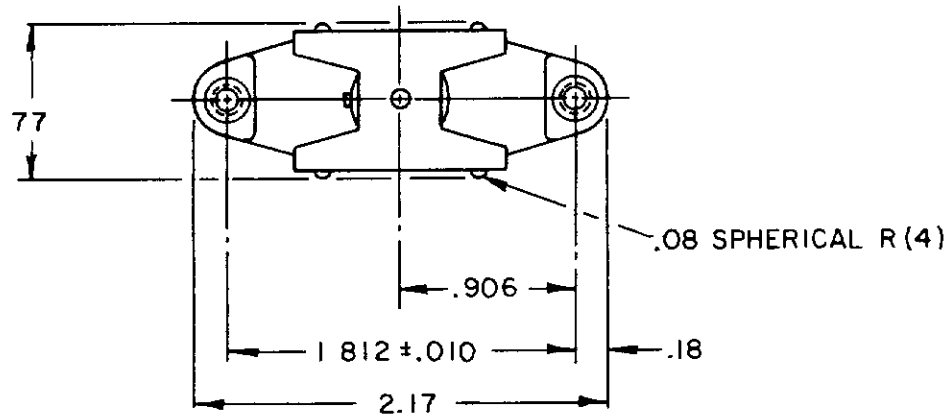
ELECTRICAL DATA

1TP8 - 1	ON	OFF	ON
1TP8 - 2	OFF	NONE	ON
1TP8 - 3	ON	NONE	ON
1TP8 - 21	NONE	OFF	ON
1TP8 - 31	NONE	ON	ON
1TP8 - 4	MOM OFF	NONE	ON
1TP8 - 5	MOM ON	OFF	ON
1TP8 - 6	MOM ON	NONE	OFF
1TP8 - 7	MOM ON	OFF	MOM ON
1TP8 - 8	MOM ON	NONE	ON
1TP8 - 51	NONE	ON	MOM ON
1TP8 - 61	MOM ON	OFF	NONE

L191 15A 125, 250, 277 VAC  
 1/2HP 125 VAC  
 1HP 250, 277 VAC  
 5A 125 VAC "L"



L192 10A 125, 250, 277 VAC  
 1/4HP 125 VAC,  
 1/2HP 250, 277 VAC  
 3A 125 VAC "L"



NOTES

- 1 - MICRO SWITCH CATALOG LISTING MARKED ON SIDE OF SWITCH
- 2 - THESE SWITCHES WILL WITHSTAND TEMPERATURE OF 160°F
- 3 - SCREWS FURNISHED UNASSEMBLED

1TP8 SERIES  
 PAGE 1 OF 1  
 CHART 1

M

DRAWING NUMBER

ISSUE 15

REVISIONS

A	CO-51983	
14	X AG	SEP 82
B	CO56795	
	J A P	MAR 85
C	CO57712	
	T R F	NOV 85
D	CO59943	
	J A P	JUL 86
E	CO77897	
	T S U	JUN 94
F	CO94412	
	D L M	OCT 99

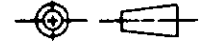
FORMTEK  
 FO-52854-C

DRAWN

K A G 14 SEP 82

RELEASE NO. PR-5907 REPLACES CHECK 14 SEPT 82

THIRD ANGLE PROJECTION



SCALE FULL

DO NOT SCALE PRINT

TOLERANCES

APPLY TO DESIGN UNITS. CONVERSIONS ARE ONLY FOR REFERENCE UNLESS NOTED TOLERANCES ARE ±

NO PLACES	DM	TOL	DM	TOL
	IN	MM/IN	IN	MM/IN
ONE PLACE	X	17/64	X X	0.61/03
TWO PLACES	X X	0.17/018	X X X	0.38/015
THREE PLACES	X X X	0.157/008	X X X X	0.157/008

DESIGN UNITS  METRIC  US CUSTOMARY

WEIGHT