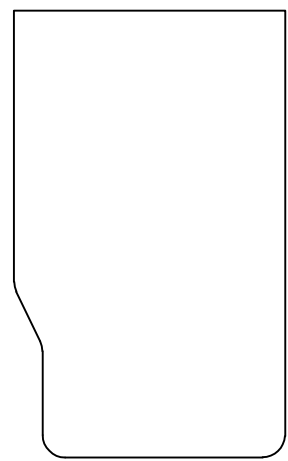
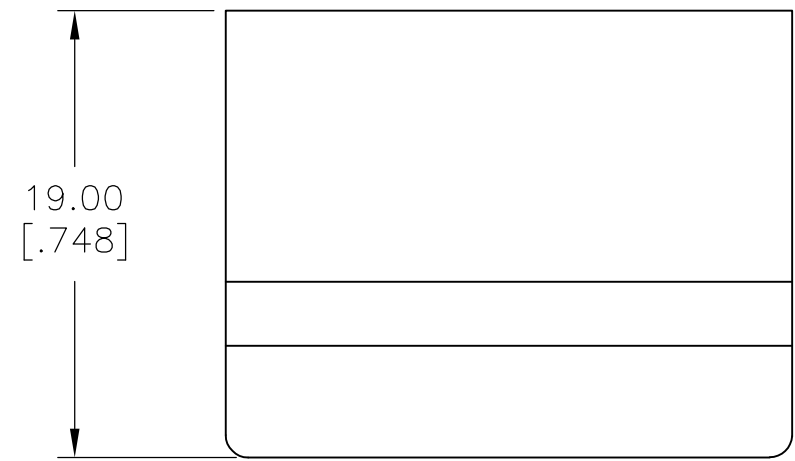
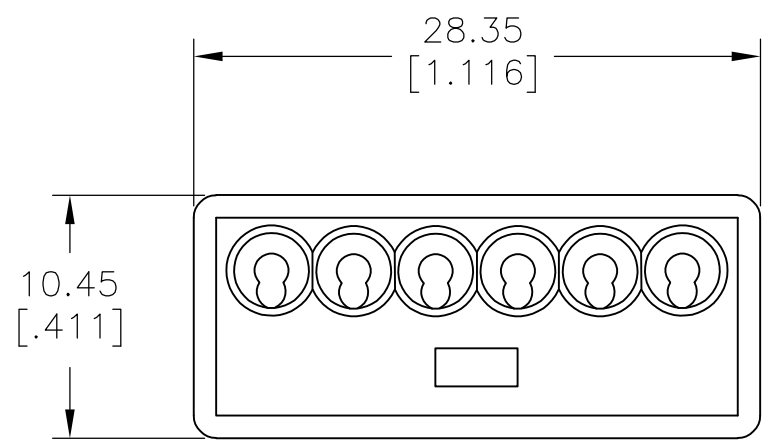



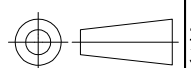
THIS DRAWING IS UNPUBLISHED. RELEASED FOR PUBLICATION
 © COPYRIGHT - By - ALL RIGHTS RESERVED.

LOC		DIST		REVISIONS			
P	LTR	DESCRIPTION		DATE	DWN	APVD	
	A	NEW DRAWING		03OCT2015	NK	RH	



- HOUSING MATERIAL : POLYCARBONATE (PC), FLAME-RETARDANT TO UL 94-V0
- VOLTAGE : 600V(UL), 450V(IEC)
- CURRENT : 24A(IEC)
- WORKING TEMPERATURE : T110(IEC), 105°C(UL)
- WIRE RANGE : 22-12 AWG, SOL/STR Cu(UL), 0.5-2.5mm²(VDE)
- STRIPPING LENGTH : 11.0[.43]

2299518-1 AS SHOWN

THIS DRAWING IS A CONTROLLED DOCUMENT.		DWN	03OCT2015	 TE Connectivity			
		CHK	03OCT2015				
		APVD	03OCT2015				
		NAME	HILL, RYAN				
DIMENSIONS: mm [INCHES]		TOLERANCES UNLESS OTHERWISE SPECIFIED:		PRODUCT SPEC -			
		0 PLC	± -	APPLICATION SPEC -			
		1 PLC	± 0.2[.008]	SIZE	CAGE CODE	DRAWING NO	RESTRICTED TO
		2 PLC	± 0.40[.016]	A3 00779		C-2299518	-
		3 PLC	± -	CUSTOMER DRAWING			SCALE
		4 PLC	± -				1:1
		ANGLES	± -				SHEET
MATERIAL		FINISH					1 OF 1
-		-					REV
							A