

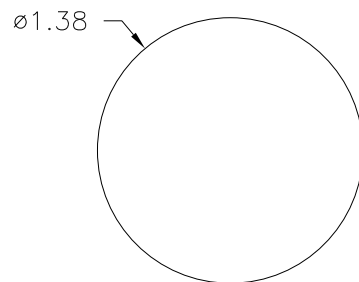
PART NAME: BALL KNOB    SCALE: 1:1    DATE: 10/18/88    DR. BY HD

THIS DRAWING IS THE PROPERTY OF DAVIES MOLDING COMPANY, IS SUBMITTED SOLELY AS A DESIGN OR ENGINEERING PROJECT. WE ACCEPT NO RESPONSIBILITY WHATSOEVER FOR THE PRACTICAL APPLICATION OF THE PIECES MADE TO THIS DESIGN.

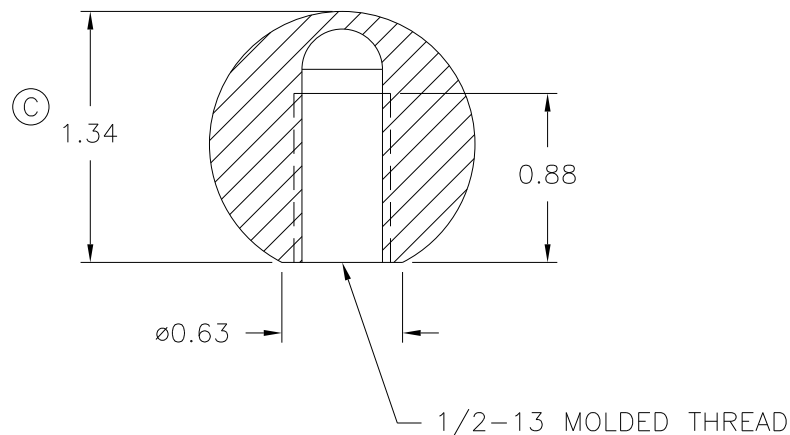


DESIGNERS & MANUFACTURERS OF KNOBS, HANDLES, CASES & CUSTOM PLASTIC COMPONENTS

P/N	0033-C
M <sup>NO.</sup>	3220
CAVITY	0033
PLUNGER	0033
PINS	33 & 50-K
① PIN BAR SHIM	4.500+.040



NOTE:  
THIS PART MUST BE CHECKED  
AFTER MOLDING PROCESS  
WITH STD. SIZE SCREW FOR FIT



MATERIAL: G.P. PHENOLIC (B11)  
COLOR: BLACK

TOLERANCES: UNLESS OTHERWISE SPECIFIED	DO NOT SCALE DRAWING	C	RE-DID REDRAW 1.30 WAS 1.32 (B)	TL	9/29/99
		B	1.32 WAS 1.28	RF	11/10/97
DECIMALS: X.XXX ± .005 X.XX ± .015	MM: X.XX ± 0.15MM X.X ± 0.4MM	A	ADDED .040 SHIM	HD	10/29/97
		-	CAD REDRAW	HD	6/9/92
FRACTIONS ± 1/64	ANG. ± 1°	CHANGES			