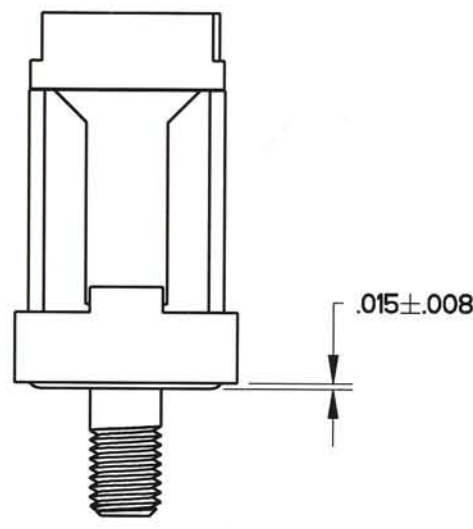
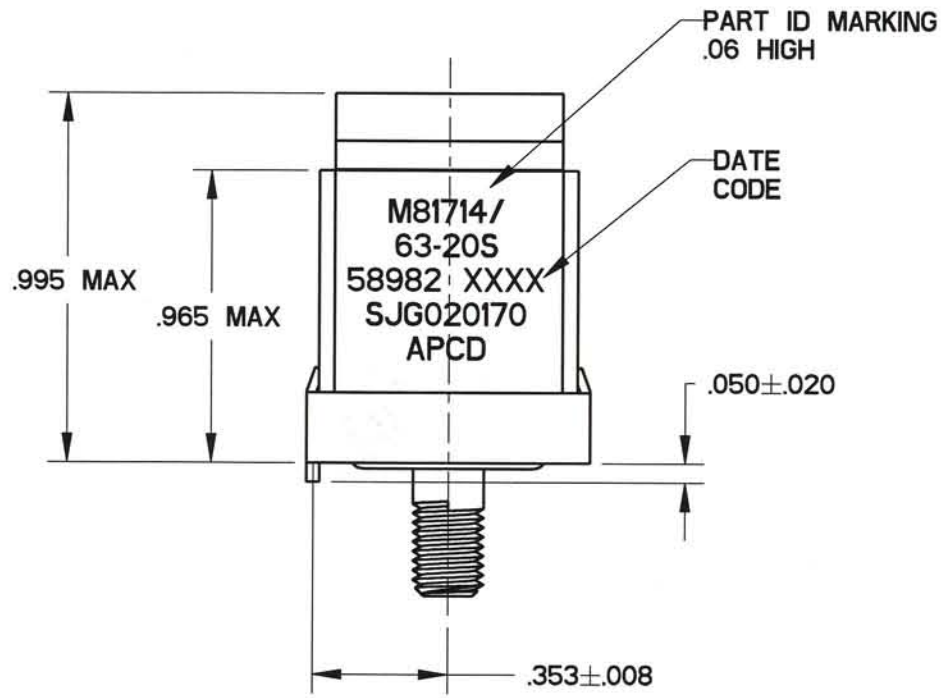
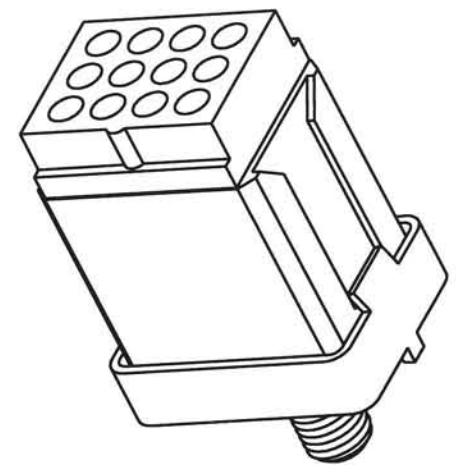
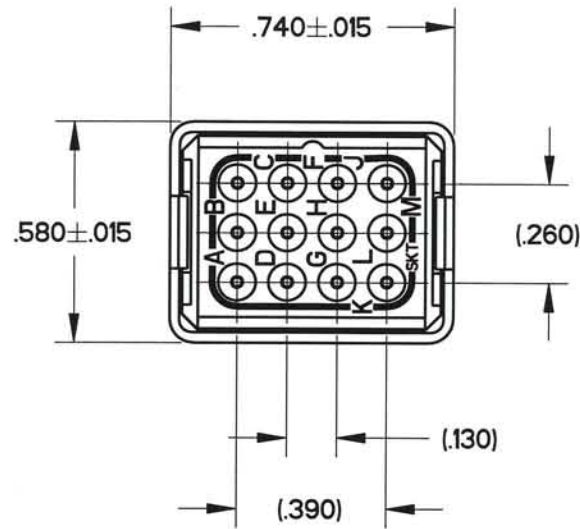


REV	ECN	APP'D
G	5839	4-14-06



- NOTES:
- MATERIALS:
 BODY: POLYETHERIMIDE PER MIL-P-46184.
 GROMMET: SILICONE BLEND ELASTOMER.
 CONTACT RETAINERS: STAINLESS STEEL.
 SHELL/STUD: COPPER ALLOY, GOLD PLATE PER MIL-G-45204
 MOUNTING HARDWARE (SUPPLIED SEPARATELY):
 STEEL, CADMIUM FINISH PER QQ-P-416
 - PERFORMANCE SPECIFICATIONS:
 OPERATING TEMP: -65° TO 200°C
 INSULATION RESISTANCE: 5000 MEGOHMS MIN @ 25°C
 DIELECTRIC WITHSTANDING VOLTAGE: 1500 VRMS AT SEA LEVEL AND 200 VRMS AT 110,000 FT. ALTITUDE.
 CURRENT RATING: 7.5 AMPS
 VIBRATION AND SHOCK: PER MIL-T-81714, PARAGRAPH 3.5.5 AND 3.5.8.
 - MODULE ACCEPTS M39029/22-192 CONTACT AND MS27488-20 SEALING PLUG. (SEE TABLE)

APCD P/N	SUPPLIED		MARKING	
	SKTS	PLUGS	APCD PART NO.	MIL. NO.
SJG020170	13	2	SJG020170	M81714/63-20S
SJG020171	-	-		

HARDWARE / SOCKET CONTACT BOM		
APCD P/N	DESCRIPTION	QTY.
200001201	FLAT WASHER, #10	1
200008251	HEX NUT 10-32 CRS SJG	1
200008301	LOCK WASHER, INT TOOTH, #10	1
CNS070900	M39029/22-192 CONTACT SZ 20/20	13
CNA032401	SEALING PLUG, SZ 20, RED	2

DIMENSIONS ANSI Y14.5M UNITS: INCHES Pro/E FILE	TOLERANCES .XX ±0.01 .XXX ±0.005 ANGLES ±2.0°	PROJECTION 	Amphenol Pcd SPECIFICATION DRAWING ENGR R. SWAINE 03/16/06			TITLE SJG GOLD PLATED SIZE 20		
			ORIGINAL 	THIS DOCUMENT CONTAINS PROPRIETARY INFORMATION WHICH IS THE CONFIDENTIAL PROPERTY OF AMPHENOL PCD INC., PEABODY, MA		CHKD 4-14-06	APP'D 4-14-06	SIZE B DWG NO. SJG020170 REV G

SJG020170

SJG020170