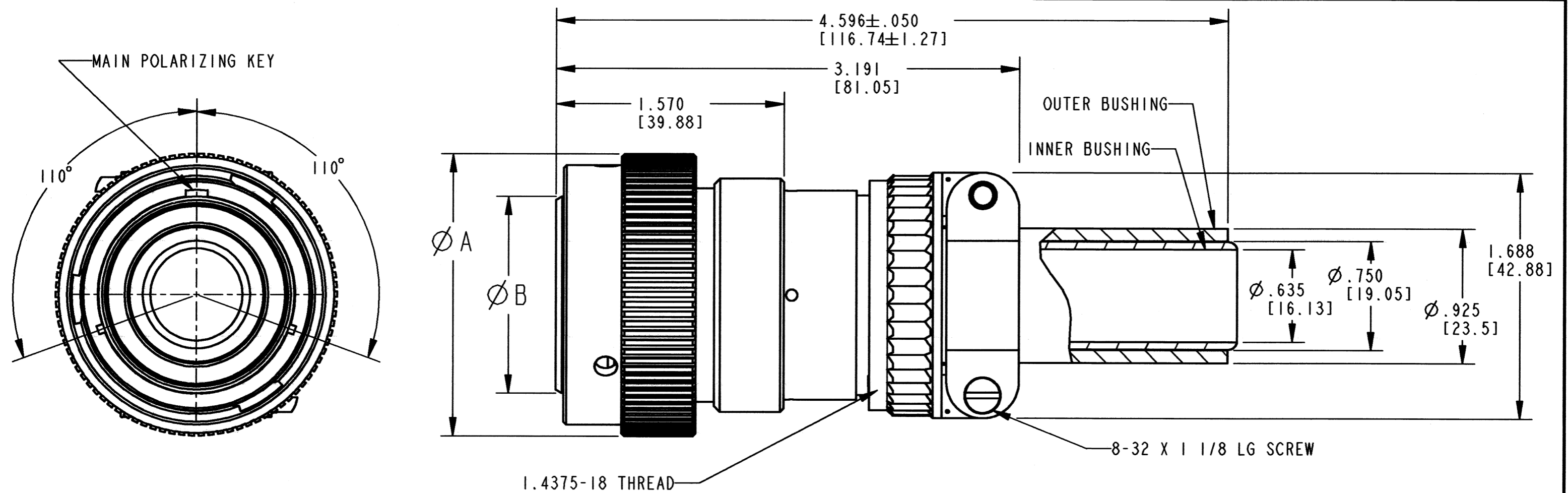


SIZE	ϕA $\pm .000$ $[-.100]$ $[\frac{+.000}{-.254}]$	ϕB
18	1.692 [42.98]	1.103 [28.02]
24	1.942 [49.32]	1.353 [34.37]

REV
NC HDB36-**-**P/S*-059
1 2

REVISIONS			
SYM	DESCRIPTION	DATE	APPROVED
NC	NEW RELEASE PER E.O. P20357	3-1-10	RDR



6. CABLE CLAMP ACCEPTS CABLE O.D. $\phi .300$ MIN. THRU $\phi .948$ MAX.
5. FOR CONTACTS AND WIRES PERFORMANCE AND APPLICATION CHARACTERISTICS SEE ENVELOPE DRAWING 0425-015-0000.
4. FOR ARRANGEMENT OF CONTACT LOCATION SEE ENVELOPE DRAWING 0425-014-2400 AND 0425-013-1800.
3. FOR PERFORMANCE AND APPLICATION CHARACTERISTICS SEE ENVELOPE DRAWING 0425-016-0000.
2. ALL DIMENSIONS ARE IN INCHES [MILLIMETERS].
- NOTES: 1. CONSULT THE FACTORY FOR ELECTRICAL AND MATERIAL SPECIFICATIONS.

9. BREAKAWAY FUNCTION OCCURS AT AN AXIAL LOAD OF 50 TO 100 LBS.
8. DIMENSION TOLERANCE IS $\pm .025$ [.63] UNLESS OTHERWISE SPECIFIED.
7. THIS CONNECTOR MATES WITH HD34-**-**₁-**₂P/S*-****
 (**₁ = SIZE, **₂ = ALL ARRANGEMENTS EXCEPT 91, * = SEAL TYPE, **** = ALL MODIFICATIONS).

SIGNATURE & DATE	
DR	R. MESSENGER 9NOV05
CHK	<i>[Signature]</i> 3/1/10
PE	<i>[Signature]</i> 3-1-10
APPD	<i>[Signature]</i> 3-1-10
SCALE	NONE WT _____

**PLUG CONNECTOR
SHELL SIZE 18 & 24
BAYONET COUPLING
HDB SERIES**

ENVELOPE

EP	NATL. CODE
3850 INDUSTRIAL AVE. HEMET, CA 92545	
DEUTSCH INDUSTRIAL	
B	HDB36-**-**P/S*-059
DWG SIZE	CODE 11139 SHEET OF