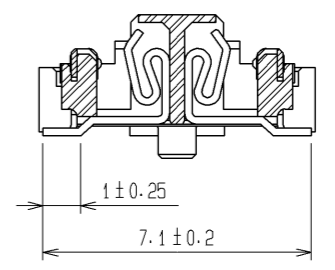
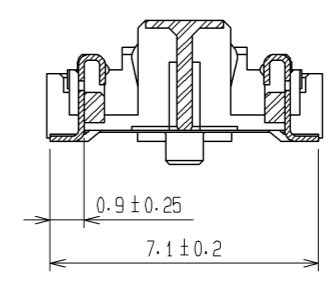


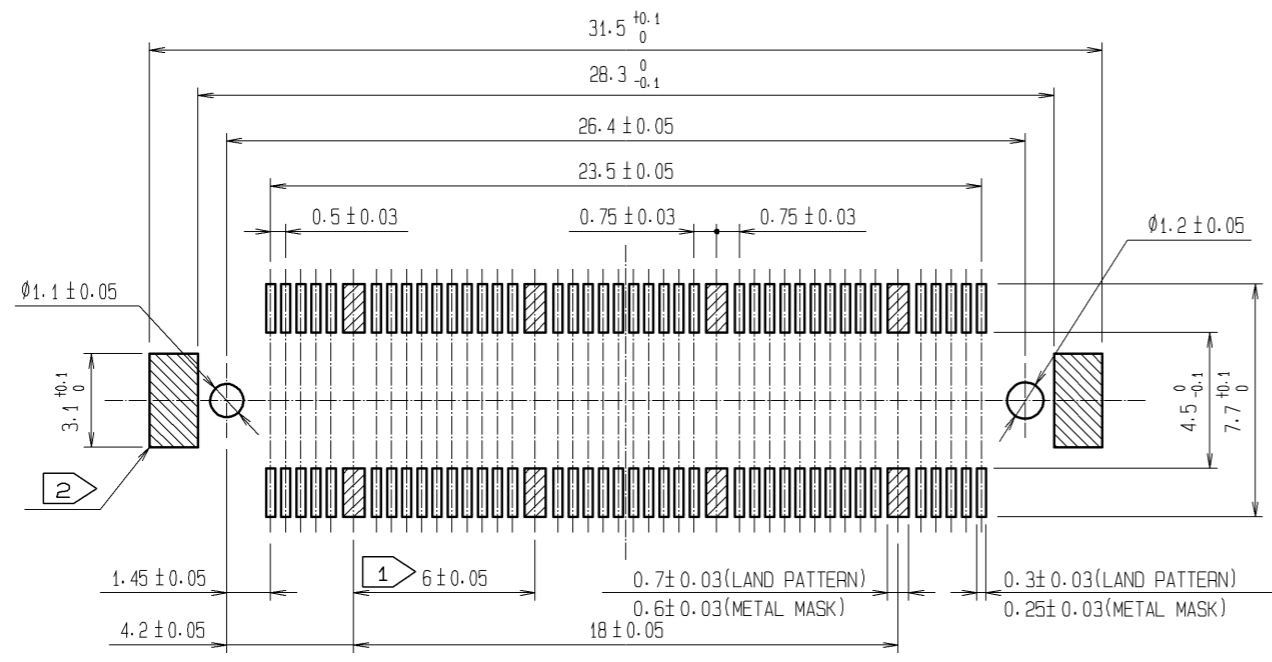
CROSS CUT SECTION - SIGNAL (5:1)



CROSS CUT SECTION - GROUND (5:1)



RECOMMENDED LAND PATTERN DIMENSION OF PCB
(RECOMMENDED METAL MASK THICKNESS: 0.15mm)

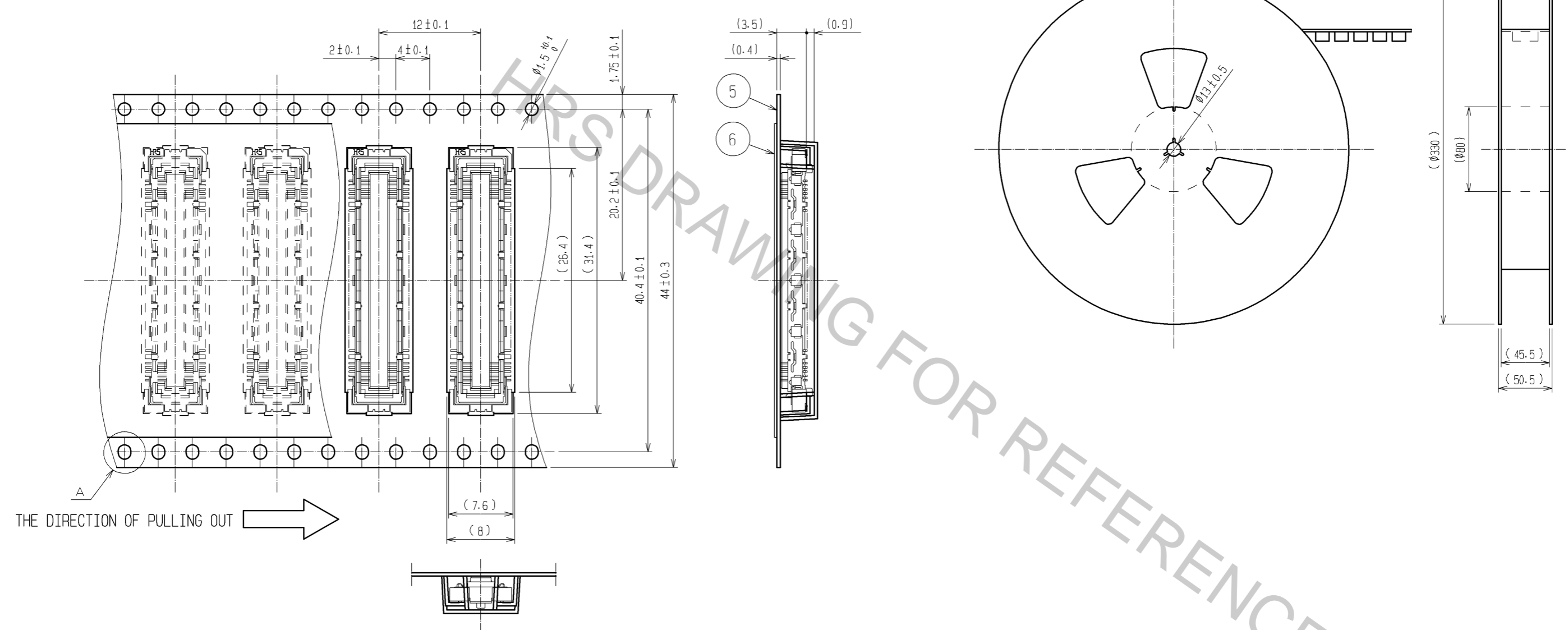


- NOTES
- ① 8 HATCHED PARTS: GROUND CIRCUIT.
 - ② 2 HATCHED PARTS: GROUND CIRCUIT.
 - ③ SMT LEAD-COPLANARITY: 0.1 MAX.
 - ④ THIS PRODUCT HAS NO POLARITY TO PATTERN FOR MOUNTING.
 - ⑤ EMBOSS CARRIER TAPE PACKAGE IS APPLIED ON THIS PRODUCT. PLEASE REFER TO THE SHEET 2/2 FOR THE DETAILS.
 - ⑥ THE DIMENSIONS IN PARENTHESES ARE FOR REFERENCE.

3, 4	PHOSPHOR BRONZE	TIN-PLATING						
2	PHOSPHOR BRONZE	CONTACT AREA : GOLD 0.1μm min.						
		LEAD AREA : GOLD FLASH						
		UNDER PLATING : NICKEL 1μm min.	6	POLYESTER	TOP COVER TAPE			
1	LCP	BEIGE UL94V-0	5	POLYSTYRENE	EMBOSSED CARRIER TAPE			
NO.	MATERIAL	FINISH, REMARKS	NO.	MATERIAL	FINISH, REMARKS			
UNITS mm		SCALE 4 : 1	COUNT 	DESCRIPTION OF REVISIONS		DESIGNED	CHECKED	DATE
HRS HIROSE ELECTRIC CO., LTD.		APPROVED : HS. OKAWA	08.06.03	DRAWING NO.		EDC3-151976-21		
		CHECKED : HS. OZAWA	08.06.03	PART NO.		FX10A-80S/8-SV(91)		
		DESIGNED : SY. KAMIGA	08.06.03	CODE NO.		CL570-0201-4-91		
		DRAWN : HK. SUNADORI	08.06.02			1/2		

DRAWING FOR PACKING(2:1)

REELED DIMENSION(Free)



THE DIRECTION OF PULLING OUT →

A (5:1)

- NOTES
- 1 REEL : 1000 CONNECTORS.
 - 2 MINIMUM 10 COMPARTMENTS FROM BOTH REEL ENDS REMAIN EMPTY.
 - 3 THIS PRODUCT HAS NO POLARITY TO TAPE AND REEL PACKAGING.
 - 4 THE DIMENSIONS IN PARENTHESES ARE FOR REFERENCE.

HRS	DRAWING NO.	EDC3-151976-21	△ 2/2
	PART NO.	FX10A-80S/8-SV(91)	
	CODE NO.	CL570-0201-4-91	