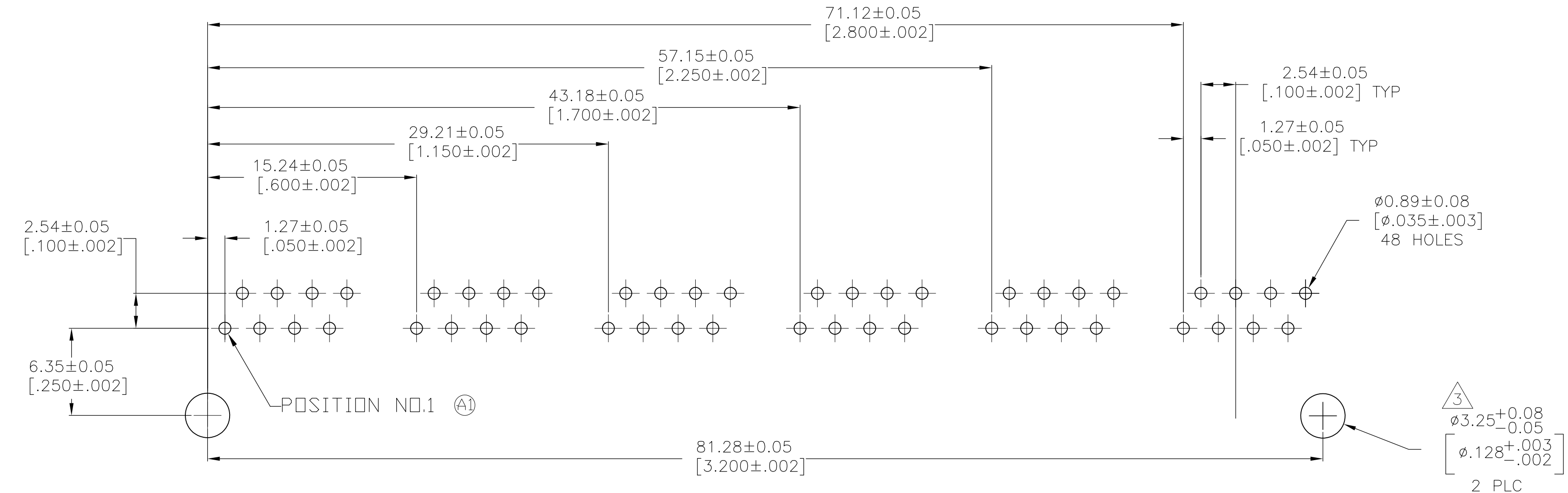
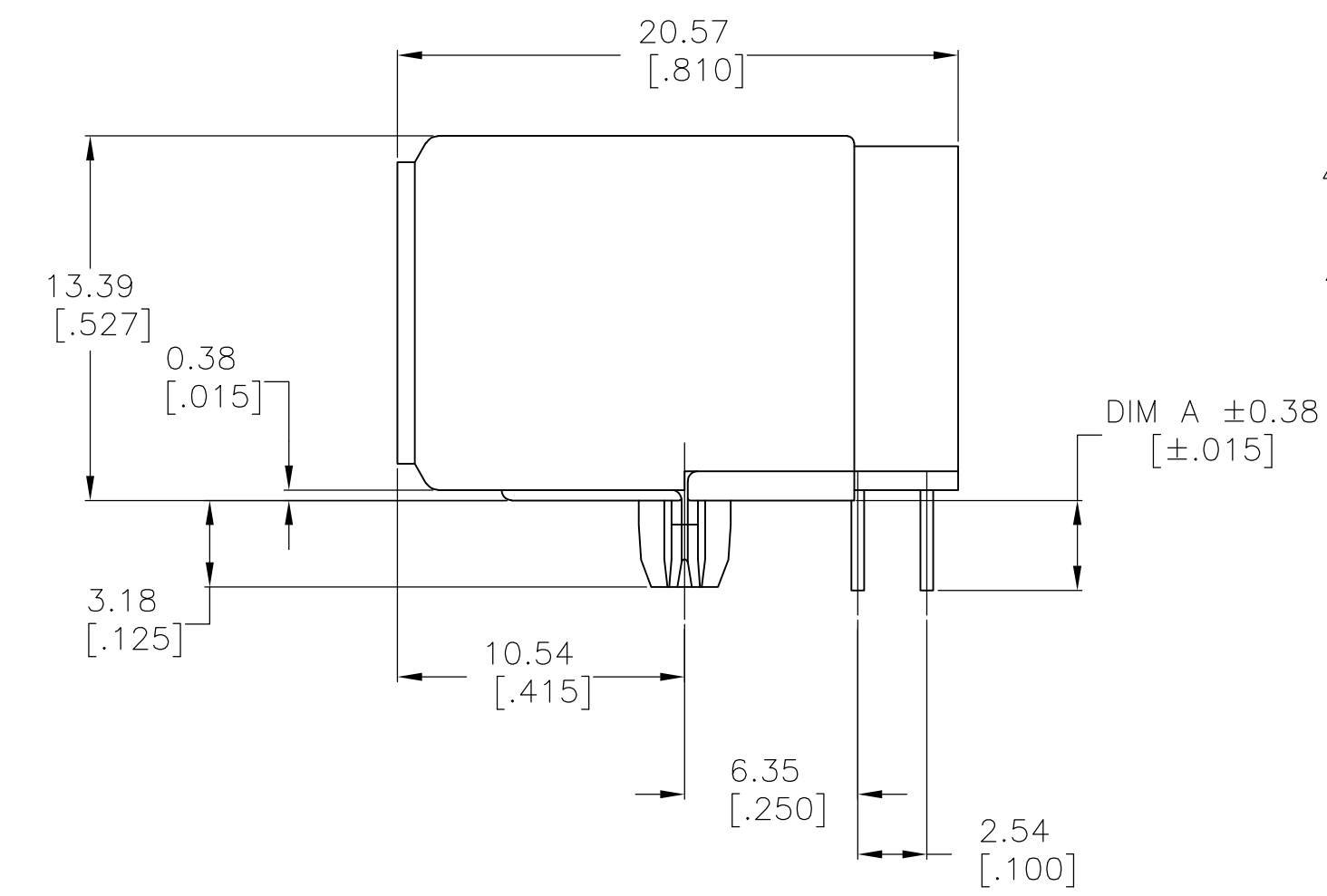
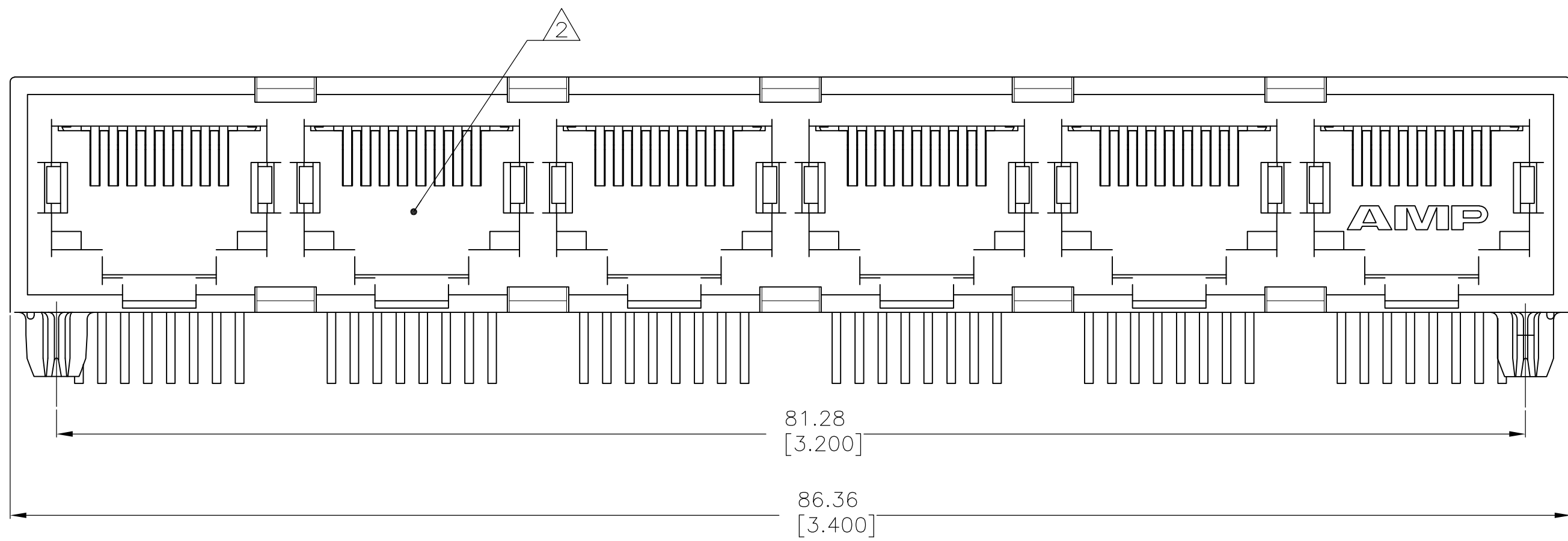
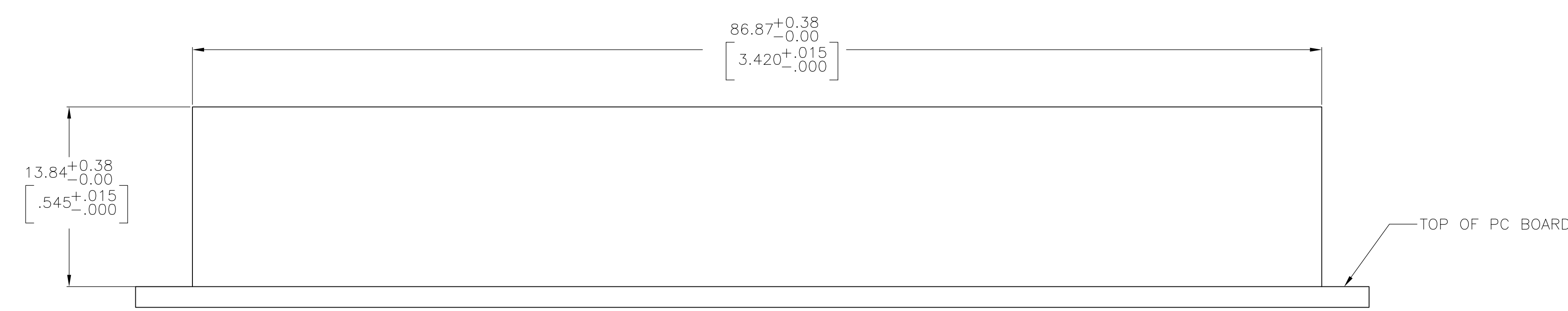


| REVISONS | | DATE | BY | APPV |
|----------|-----------------------|-----------|----|------|
| A | REV PER ECR-08-014279 | 5JUNE2008 | DZ | SY |
| A1 | ECR-10-008667 | 22APR2010 | KS | SY |

- MATERIAL: HOUSING - NYLON, COLOR: BLACK, UL 94V-0. OVERMOLDED TERMINAL ARRAY - PBT, BROWN. TERMINALS - 0.33[.013] THICK PHOS BRONZE PLATED WITH 1.27um[.000050] MINIMUM HARD GOLD IN LOCALIZED AREA AND 3.81um[.000150] MINIMUM TIN IN SOLDER AREA OVER 1.27um[.000050] MINIMUM NICKEL UNDERPLATE. (A1)
- JACK CAVITY CONFORMS TO FCC RULES AND REGULATIONS, PART 68 SUBPART F.
- USE #30 DRILL BIT OR 3.25mm DRILL BIT WHEN PRODUCING THESE PCB HOLES.



SUGGESTED PC BOARD LAYOUT
 COMPONENT SIDE
 SEE APPLICATION SPECIFICATION



SUGGESTED PANEL CUTOUT

| | |
|-------|-------------|
| 3.05 | 1932114-2 |
| 3.56 | 1932114-1 |
| DIM A | PART NUMBER |

| | | | |
|--|--|------------------------------|---|
| THIS DRAWING IS A CONTROLLED DOCUMENT. | | DIN D.ZHU 5JUNE2008 | Tyco Electronics Corporation Shanghai 200233, P.R. of China |
| DIMENSIONS: mm [INCHES] | | CHK C.WANG 5JUNE2008 | |
| TOLERANCES UNLESS OTHERWISE SPECIFIED: | | APPV S.YAO 5JUNE2008 | NAME MODULAR JACK ASSEMBLY, 8 POSITION, RIGHT ANGLE, LOW PROFILE, 6 PORT, CATEGORY 5 |
| 0 PLC ± - | | PRODUCT SPEC 108-1163-2 | |
| 1 PLC ± - | | APPLICATION SPEC 114-2048 | SIZE A1 |
| 2 PLC ± 0.25[.01] | | RESTRICTED TO | |
| 3 PLC ± 0.13[.005] | | SCALE 4:1 | SHEET 1 OF 1 |
| 4 PLC ± - | | REV A1 | |
| ANGLES ± - | | CUSTOMER DRAWING | |