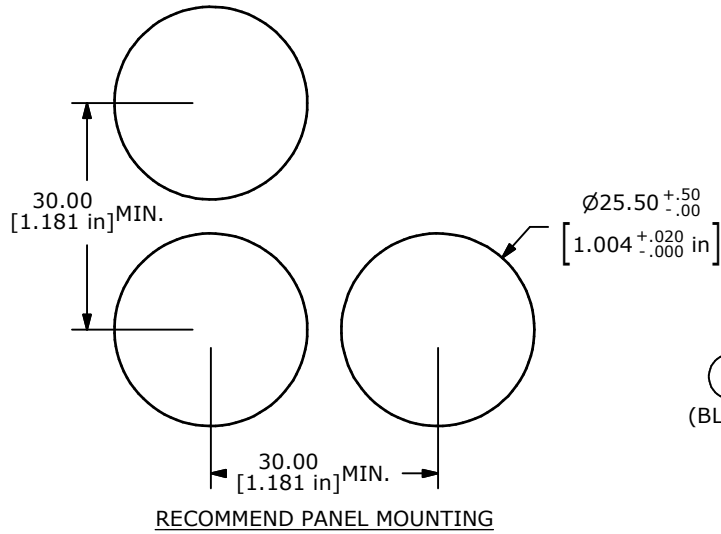
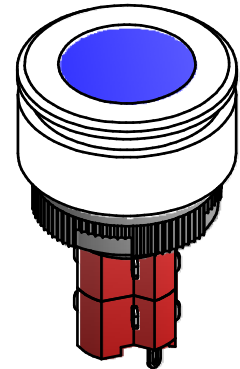
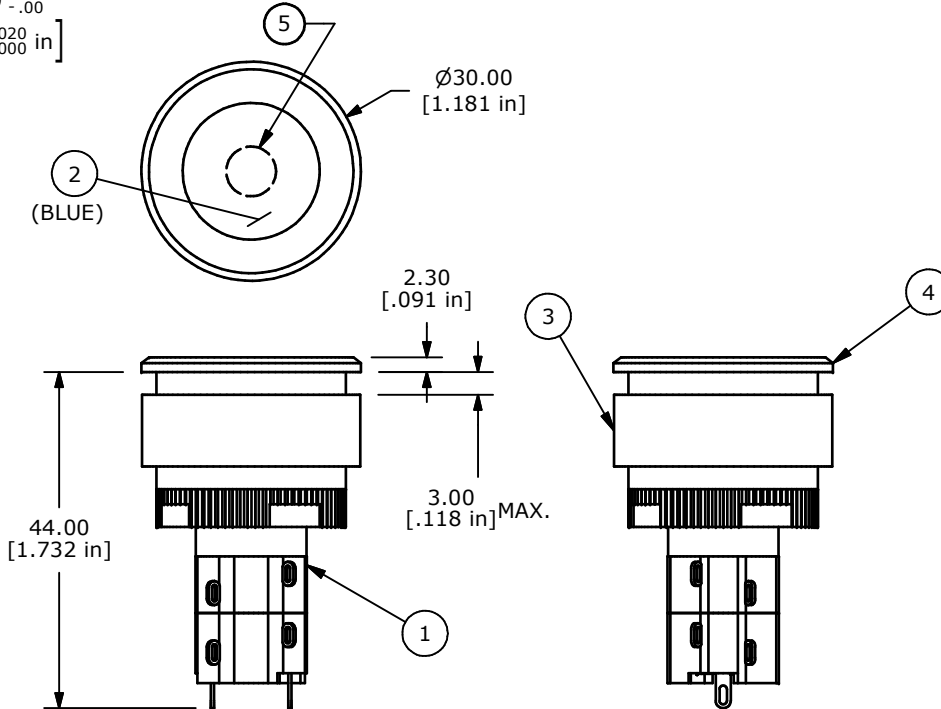


▲ Parts List

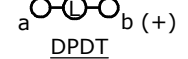
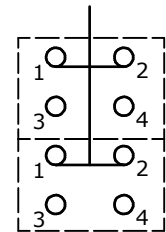
ITEM	QTY	PART NUMBER	DESCRIPTION
1	1	F060603	LASEEV12
2	1	F060201	25 MM BLUE LENS
3	1	F051705	30MM FLUSH MOUNT RETAINER
4	1	F051704	30MM FLUSH MOUNT BEZEL
5	1	F050405	INCANDESCENT 28V(AC/DC) 40 mA LAMP



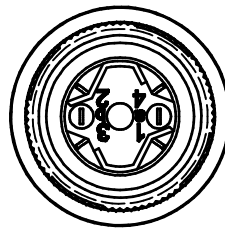
- NOTES:
1. ALL DIMENSIONS IN MM [INCH].
  2. GENERAL TOLERANCE: 0.0±0.4  
0.00±0.25
  3. TERM. NOS. FOR REF. ONLY.
  4. RATING: 5A @250VAC  
8A @125VAC  
0.2A @250VDC  
6A @24VDC
  5. INSULATION: 1,000 MΩ MIN.
  6. DIELECTRIC STRENGTH: 2000V FOR 1 MIN.
  7. SEALED TO IP65.
  8. TRAVEL: 3.0MM (TOTAL), 2.0MM (LATCH)
  9. ELECTRICAL LIFE: >50,000 CYCLES
  10. OPERATING TEMP: -25C TO +55C
  11. PANEL THICKNESS: 0.5MM TO 3.0MM
  - ▲ 12. LAMP VOLTAGE: LED 24V DC YELLOW
  13. ▲ DENOTES CRITICAL PARAMETER.
  14. PACKAGE: BOX/20 PCS PER.
  15. 2002/95/EC (ROHS) COMPLIANT



ISOMETRIC



▲ CONTACT CONFIGURATION  
MOMENTARY ACTION



A	18258	RELEASE FOR PRODUCTION	9/30/08	BLR
REV	PCR NO	DESCRIPTION	DATE	BY

TITLE LASEEV32CBLU				
SCALE	DATE	DR	DWG	REV
1:1	9/30/2008	BLR	XF0769P	A

THE INFORMATION CONTAINED IN THIS DOCUMENT IS PROPRIETARY TO E-SWITCH AND IS NOT TO BE COPIED OR TRANSFERRED