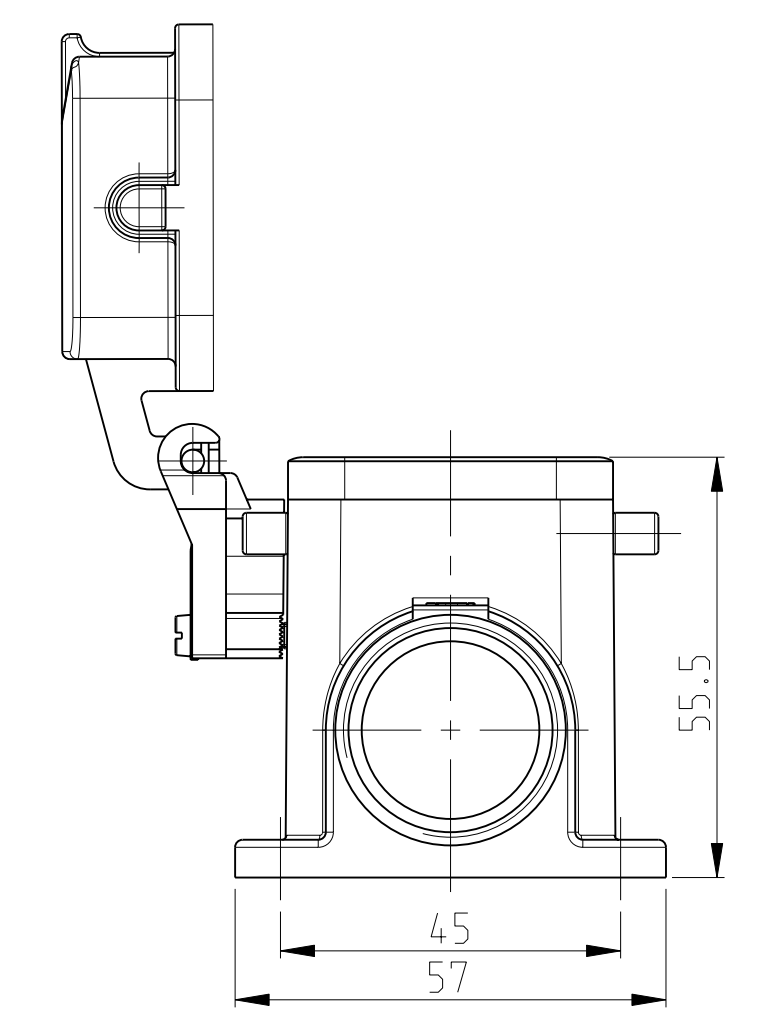
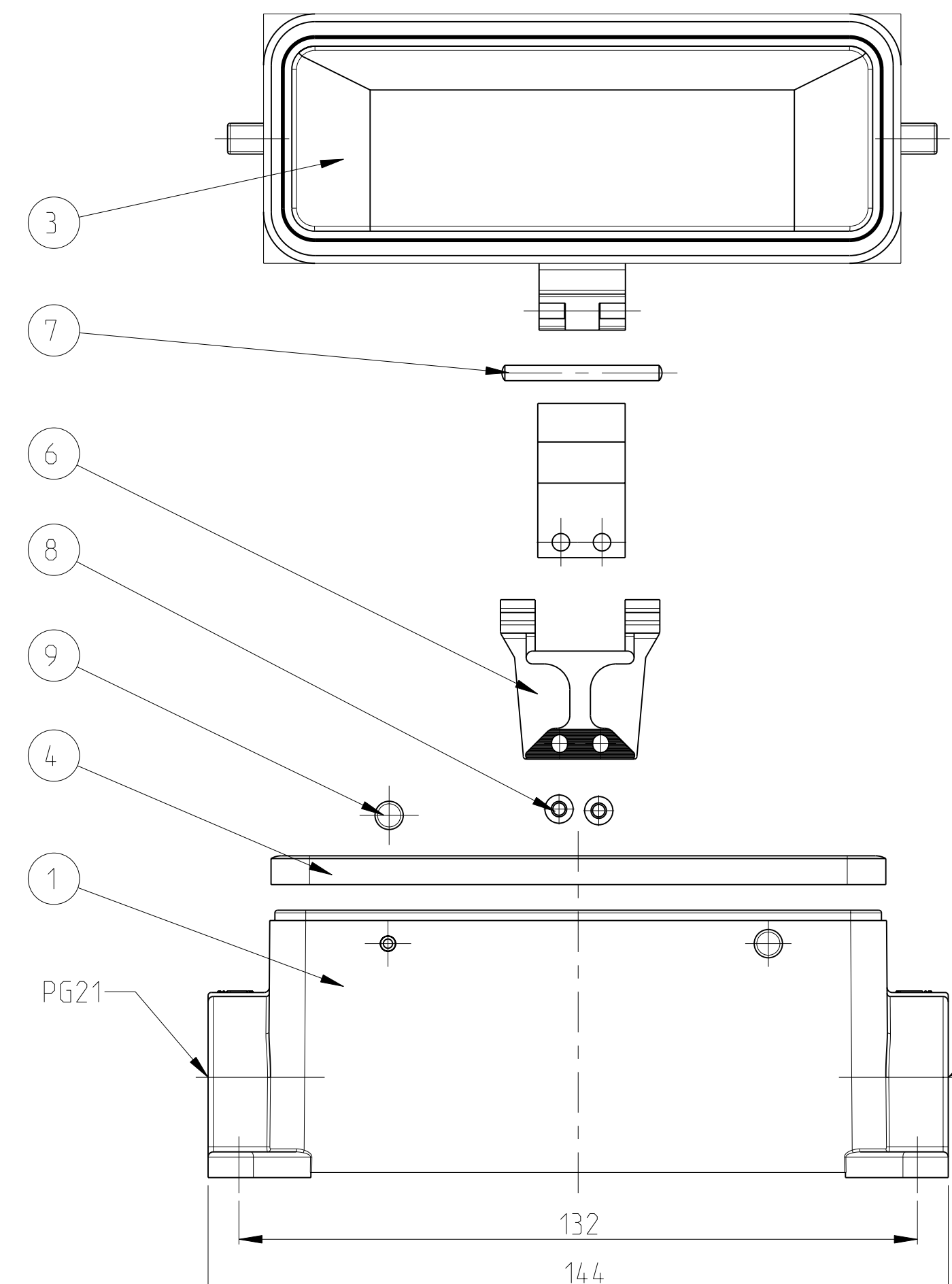
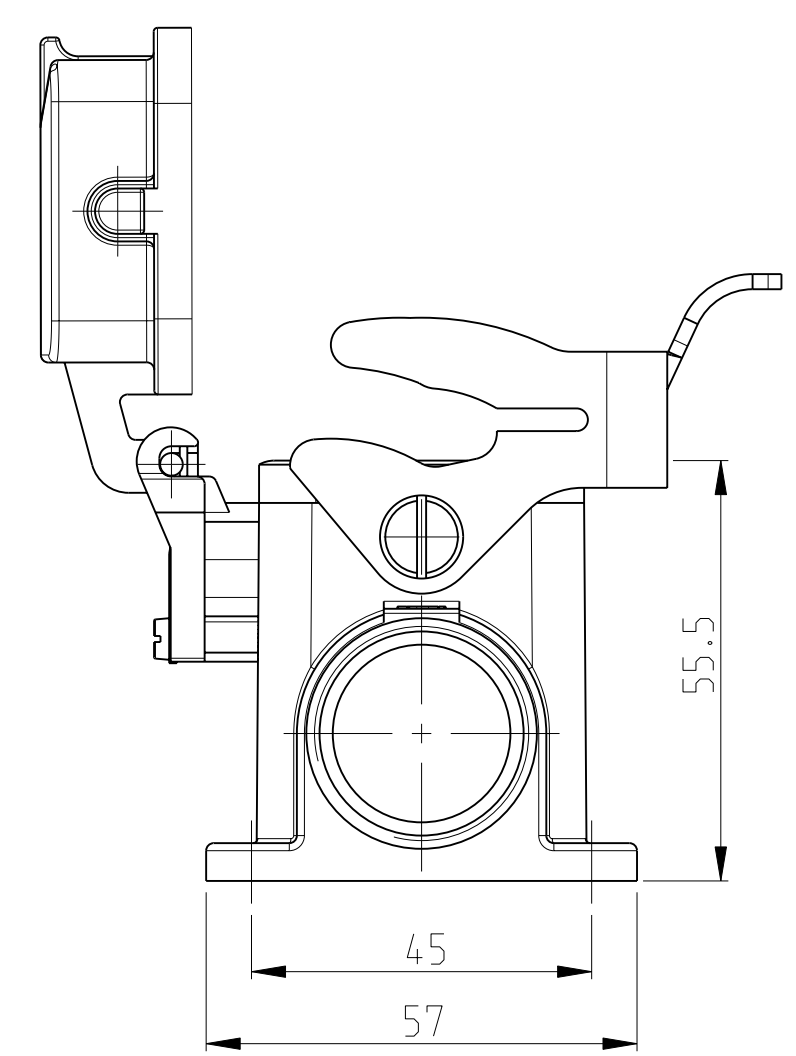
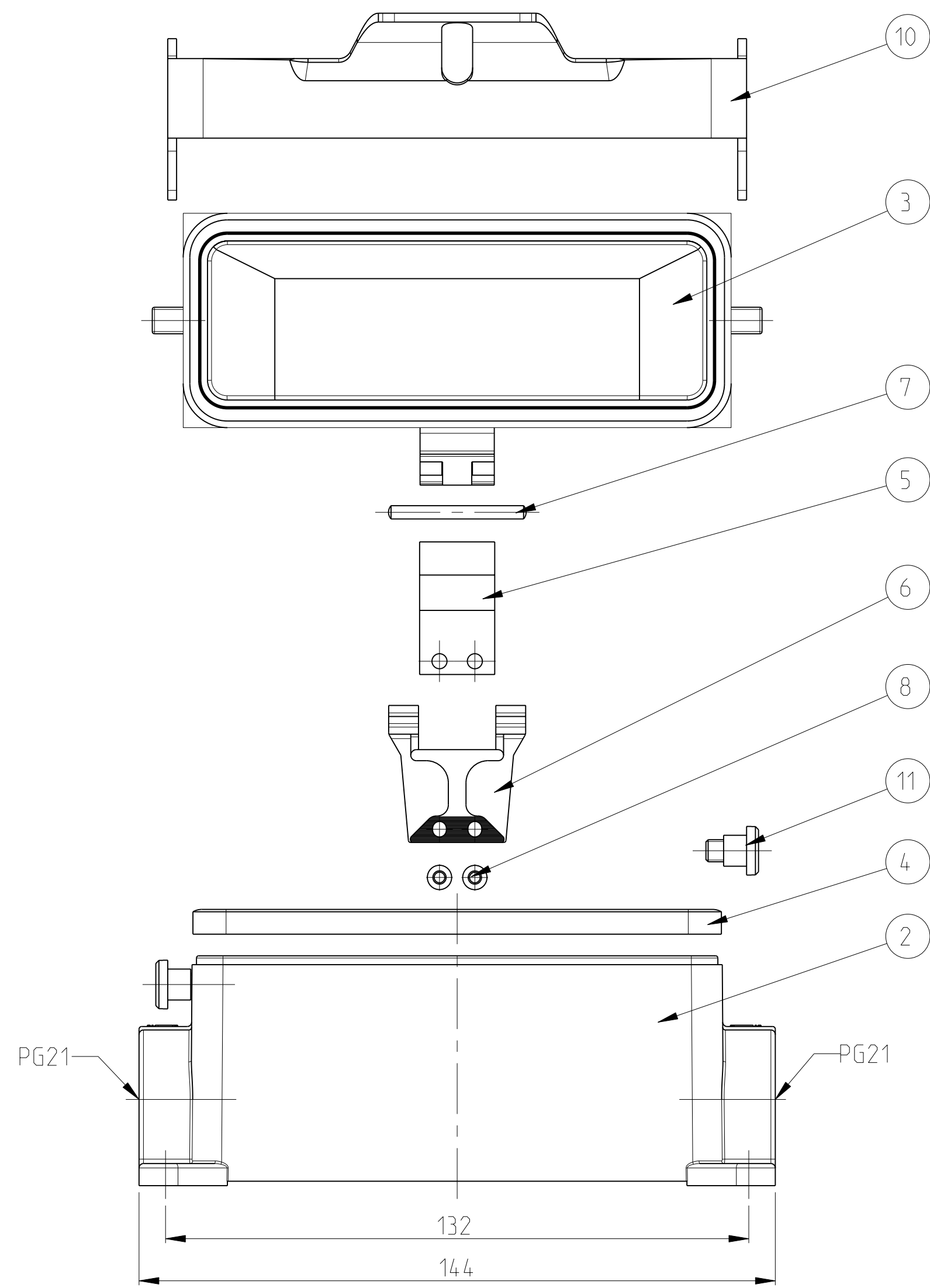


LOC	DIST	REV	DESCRIPTION	DATE	DWN	APVD
A1	-	A2	ECR-09-019348	10 JUN 2009	SR	AR



- NOTES
- PART SHALL BE FREE AND CLEAN OF BURRS AND OTHER FOREIGN MATERIAL
 - PACKAGING: QUANTITY 5 PIECES
 - VARNISHING INSIDE HOUSING NOT REQUIRED

QTY	DESCRIPTION	MATERIAL	SURFACE	COLOR	ITEM	NOTES
2	CLIP POSITIONER	STEEL	ZINC PLATED	BLUE	11	
1	SIDE CLIP	STEEL	ZINC PLATED	BLUE	10	
4	CLIP BOLT	STEEL	ZINC PLATED	BLUE	9	
2	ZYLINDER SCREW	STAINLESS STEEL		BLANC	8	
1	GROWED PIN	STEEL		BLANC	7	
1	HINGE	ALUMINIUM		GREY	6	
1	LEAF SPRING	STEEL	ZINC PLATED	BLUE	5	
1	PROFILE SEAL	NEOPRENE		BLACK	4	
1	SURFACE MOUNTED HOUSING SIDE ENTRY	ALUMINIUM		GREY	3	
1	SURFACE MOUNTED HOUSING SIDE ENTRY	ALUMINIUM		GREY	2	
1	SURFACE MOUNTED HOUSING SIDE ENTRY	ALUMINIUM		GREY	1	
1-2	DESCRIPTION	MATERIAL	SURFACE	COLOR	ITEM	NOTES
HB.24.SGD.2.21.Z						
HB.24.SGD-LB.2.21.Z						

DIMENSIONS: mm 		TOLERANCES UNLESS OTHERWISE SPECIFIED: 9 PLC ± 1 PLC ± 2 PLC ± 3 PLC ± 4 PLC ± ANGLES ±1° FINISH -		DWN R.SCHNEIDER 10 JUN 2009 CHY T.SCHNURPEIL 10 JUN 2009 APVD - PRODUCT SPEC - APPLICATION SPEC - WEIGHT - CUSTOMER DRAWING		Tyco Electronics Tyco Electronics AMP GmbH 53757 Saint-Augustin (Germany) NAME SURFACE MOUNTED HOUSING SIDE ENTRY HB.24.SGD.2.21.Z SIZE CAGE CODE DRAWING NO. RESTRICTED TO A1 00779 C=1102345 1 OF 1 REV A2	
-----------------------	--	---	--	---	--	---	--