

FCHM Hydromatic Pump Control Module

Use

To maintain and control water pressure, within a pumped system, for the supply to industrial processes and heating systems. Ensures constant flow and pressure to allow optimum performance of gas boilers or heaters, while preventing cycling and consequent temperature variations in the various appliances.

Description

A compact unit, which combines all the functions of a complete pressurising system, ie. Pressure Switch, Dry Running cut-out, Control Panel, Pressure Reservoir and Non-return Valve. The system employs a hydraulic chamber, equipped with a damping system to protect against water hammer, and a patented electromechanical control board, to be connected to 240Vac power source, with an internal 24V secondary circuit.

Compared with conventional systems this is not only more compact, but easier and quicker to install, and makes for significant energy savings and reduced pump wear. It is also maintenance free, as the pressurisation unit does not require precharging with air.

This system combines the versatility and control of conventional pressure switches with the advantages of pressure/flow switches.

Avoids the need for pressure reservoirs, along with their associated maintenance costs.



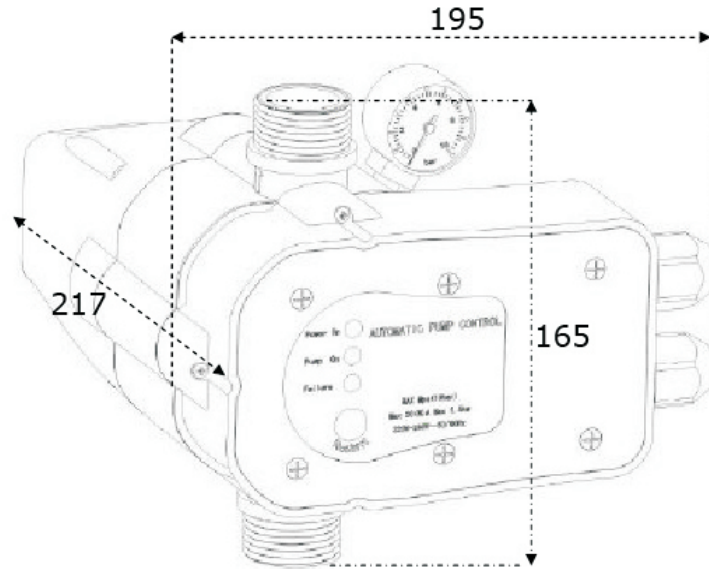
- **Start up pressure**
1-3.5 bar, adjustable
- **Dry running cut out**
and foot valve
- **Visual Indication and**
manual reset for
water circuit faults
- **Pressure gauge for**
easy set up
- **Auxiliary fuse to**
protect pump
control circuit

SPECIFICATION	
Supply voltage	240Vac 50-60Hz
Max operating power	2HP
IP Rating	65
Max pressure	10 bar
Max flow rate	100 l/min
Max fluid temperature	60°C
Max ambient temperature	60°C
Minimum start-up pressure adjustable	1 - 3.5 bar
Pump shutdown Flowrate	1.5L/min.
Minimum output pressure(Pump max pressure) > = start-up	

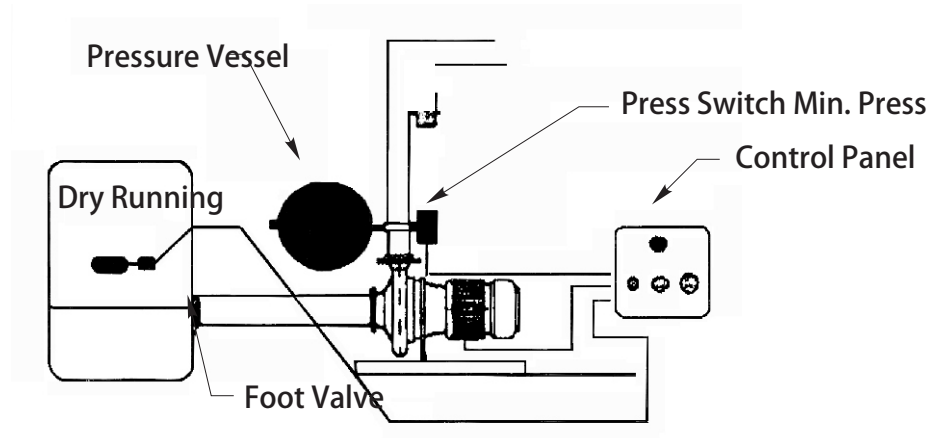
Cynergy3 Components Ltd
7 Cobham Road
Ferndown Industrial Estate
Wimborne
Dorset BH21 7PE
Tel: +44 (0) 1202 897969

sales@cynergy3.com
www.cynergy3.com

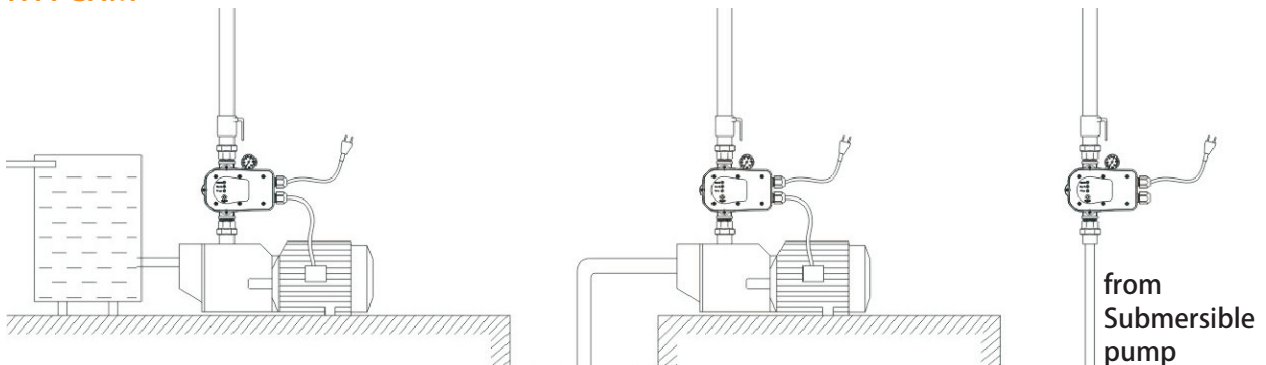
FCHM Hydromatic Pressure Regulator



WITHOUT FCHM



WITH FCHM



ISO 9001 CERTIFIED

www.cynergy3.com

© 2013 Cynergy3 Components, All Rights Reserved. Specifications are subject to change without prior notice. Cynergy3 Components and the Cynergy3 Components logo are trademarks of Cynergy3 Components Limited.

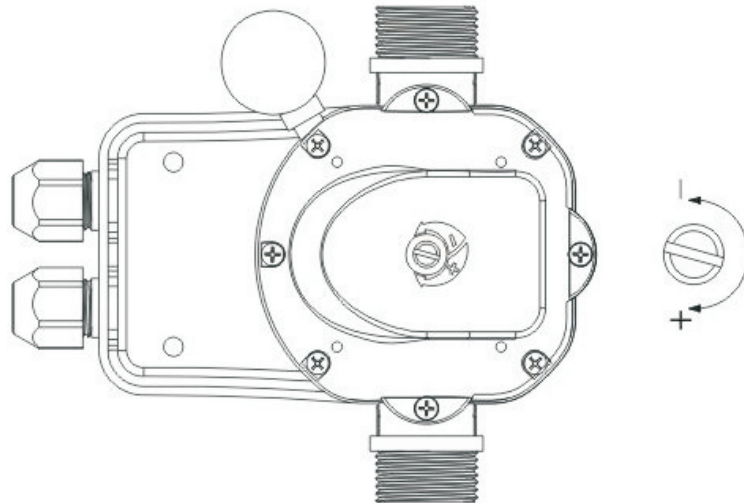
FCHM Hydromatic Pump Control Module

Setting start up pressure

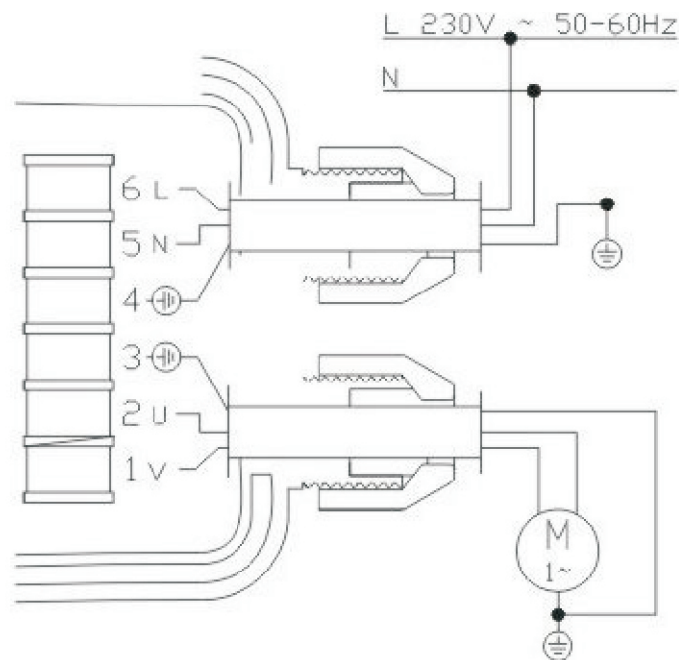
Always install a pump that develops a maximum output pressure that is at least 1 bar greater than the required minimum start up pressure.

If the head to be pumped is greater than 15m, it is necessary to increase the start up pressure setting e.g. 20m head requires at least 2.5 bar start up pressure, 25m head requires at least 3 bar start up pressure.

To increase the start up pressure setting:



Wiring for 1 phase pumps up to 2HP

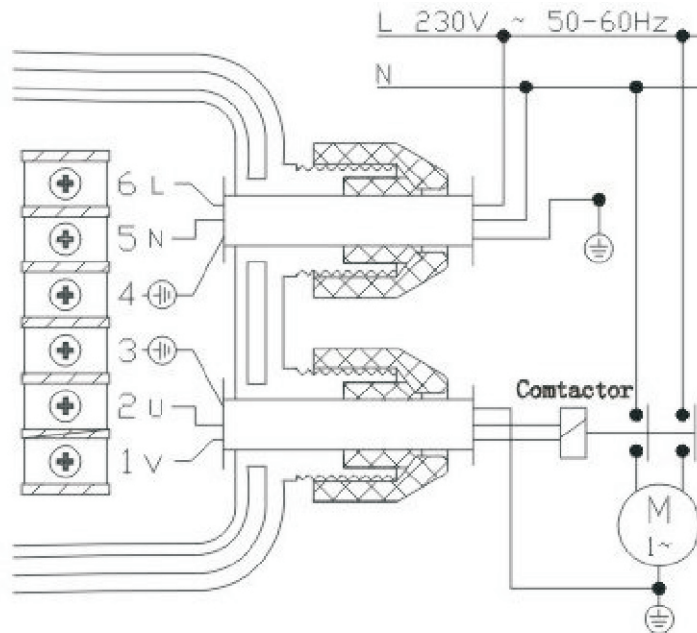


Cynergy3 Components Ltd
7 Cobham Road
Ferndown Industrial Estate
Wimborne
Dorset BH21 7PE
Tel: +44 (0) 1202 897969

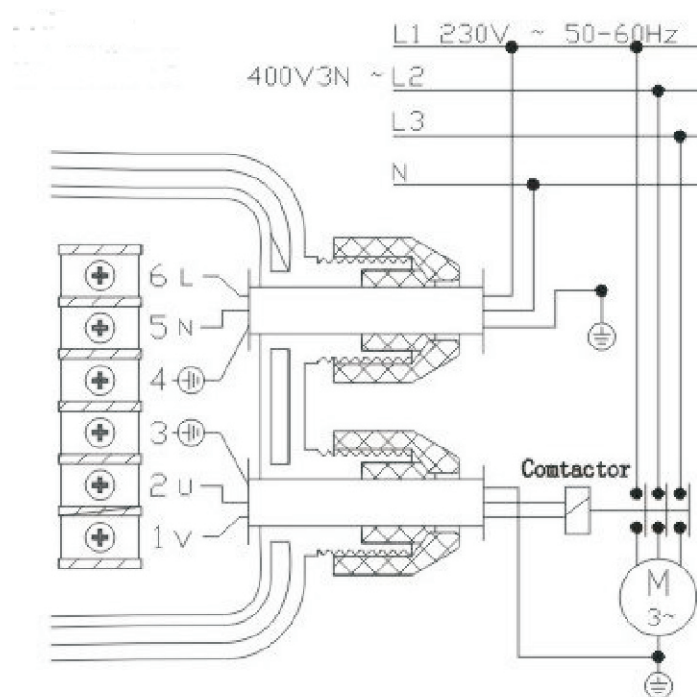
sales@cynergy3.com
www.cynergy3.com

FCHM Hydromatic Pump Control Module

Wiring for 1phase pumps over 2HP



Wiring for 3phase pumps



Cynergy3 Components Ltd
7 Cobham Road
Ferndown Industrial Estate
Wimborne
Dorset BH21 7PE
Tel: +44 (0) 1202 897969

sales@cynergy3.com
www.cynergy3.com