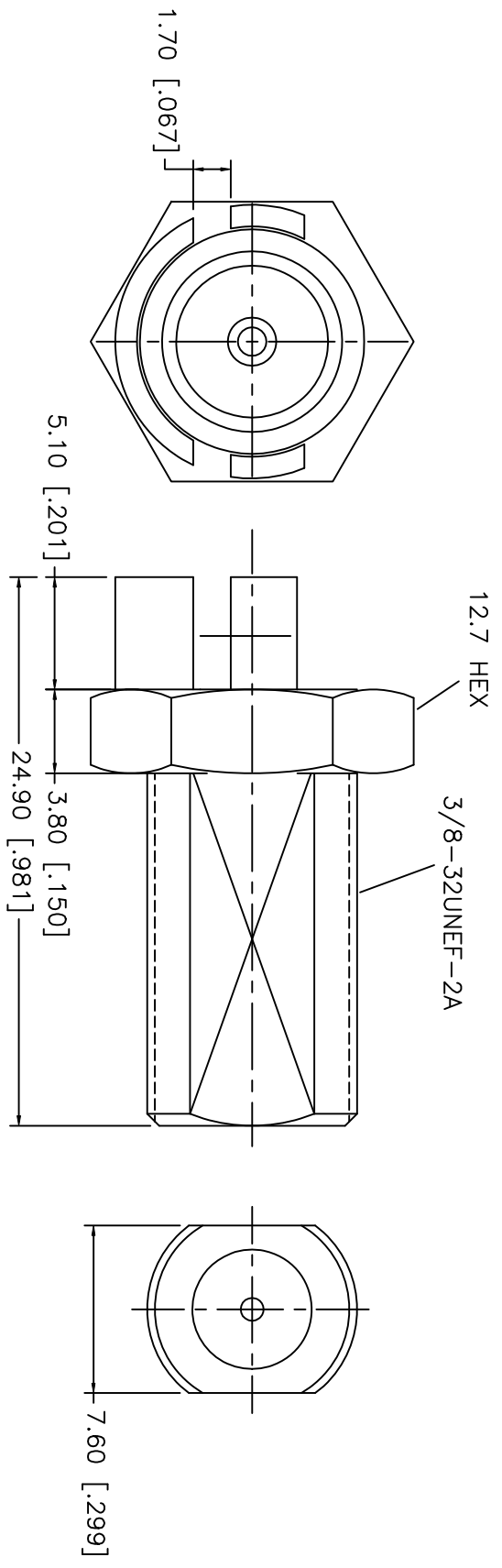


REV.	DATE	DESCRIPTION
NC	08/07/02	INITIAL RELEASE



NOTE: RETURN LOSS SPECIFICATIONS:

- 0.5 Ghz ~ 40db
- 1.5 Ghz ~ 30db
- 2.0 Ghz ~ 21.6db

8																					
7																					
6																					
5																					
4																					
3	CONTACT PIN	PHOS. BRONZE	BRT. TIN																		
2	INSULATOR	TEFLON	NATURAL																		
1	BODY	BRASS	BRT. TIN																		
	DESCRIPTION	MATERIAL	FINISH																		
				UNLESS OTHERWISE SPECIFIED DIMENSIONS ARE IN MILLIMETERS				APPROVALS				DATE		TITLE							
				DIMENSIONS IN [] ARE IN INCHES FOR CUSTOMER REFERENCE ONLY				DRAWN		G.R.S.		08/07/02		Amphenol Connex F P.C.B. EDGE CARD RECEPTACLE							
				UNLESS OTHERWISE SPECIFIED TOLERANCES FOR INCHES ARE: .XXX = ± 0.005" .XX = ± 0.010" .X = ± 0.020"				CHECKED										SIZE	FSCM NO.	DWG. NO.	REV.
				DO NOT SCALE DRAWING				ISSUED										A	99001	222181	NC
														SCALE	NA	PART NO.	222181	SHEET	1 OF 1		