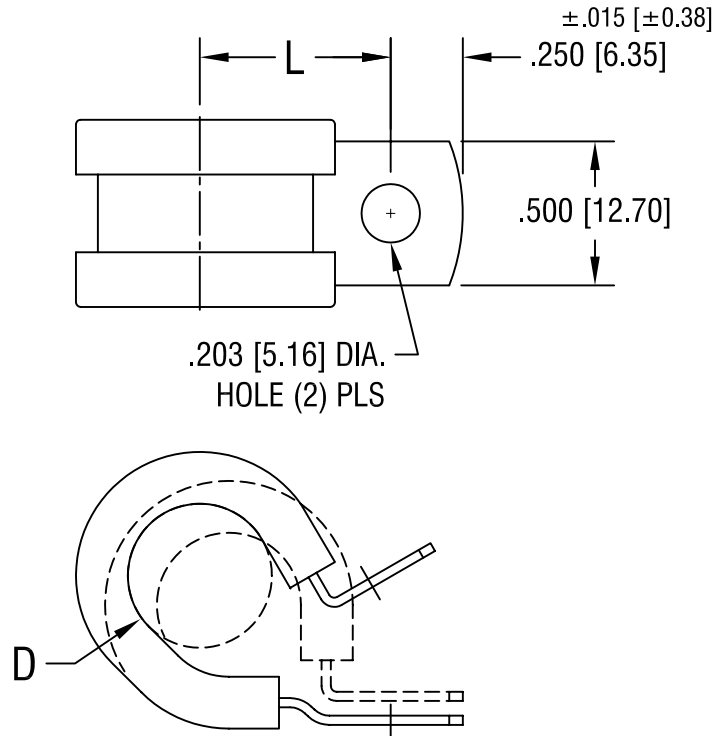


THIS DOCUMENT IS THE PROPERTY OF
KEYSTONE ELECTRONICS CORP. AND
SHALL NOT BE REPRODUCED, DISTRIBUTED
OR USED AS A BASIS FOR MANUFACTURE
WITHOUT PRIOR WRITTEN PERMISSION
FROM KEYSTONE ELECTRONICS CORP.



$\pm .032$ [± 0.81] 'L' DIM.	$\pm .032$ [± 0.81] 'D' FOR DIA.
.843 [21.40]	.875 [22.20]

KEYSTONE ELECTRONICS CORP. ASTORIA, N.Y. 11105-2017			
PART NAME CUSHIONED CABLE CLAMP			
MATERIAL .032 [.81] TH'K STAINLESS STEEL, EPDM RUBBER			
FINISH -		DRN BY BOONE	DATE 12.4.06
		APP'D LN	SCALE NONE
TOLERANCES INCH [MM] DECIMAL $\pm .010$ [± 0.25] ANGULAR $\pm 1^\circ$ UNLESS OTHERWISE SPECIFIED		CODE C/M	DWG NO. 8095

DATE	DESCRIPTION	REV.
------	-------------	------