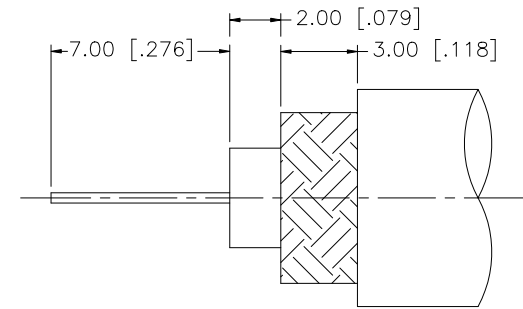
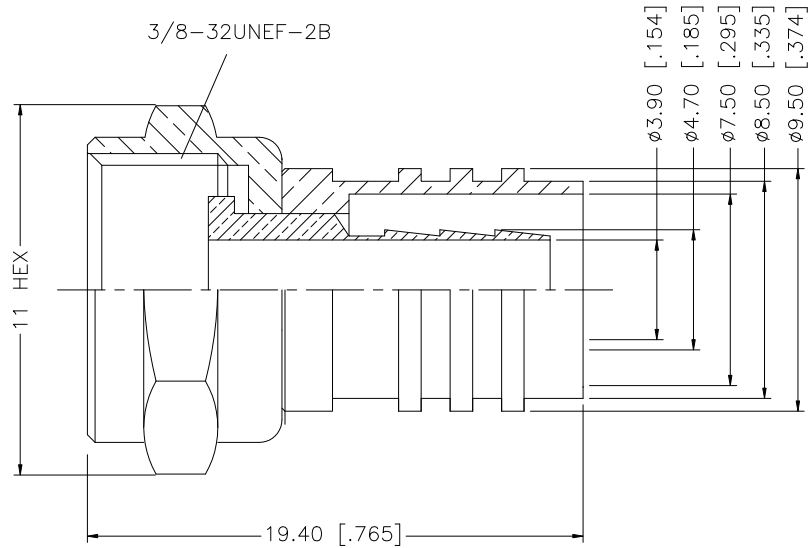
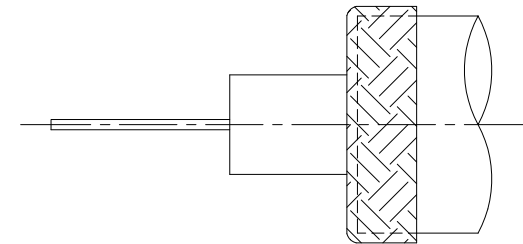


REV.	DATE	ECR NO.	DESCRIPTION
A	09/08/98	-	RE-DIMENSION DDRAWING, ADD CABLE STRIPPING DIMS.
B	07/23/99	-	UPDATE CABLE STRIPPING DIMENSIONS
C	06/02/08	100022	UPDATE DRAWING FORMAT



STEP-1

STRIP CABLE TO RECOMMENDED DIMENSIONS



STEP-2

FOLD SHIELD BACK AS SHOWN.

8				
7				
6				
5				
4				
3	SHELL	BRASS	NICKEL	1
2	HOUSING	BRASS	NICKEL	1
1	BODY	BRASS	NICKEL	1
	DESCRIPTION	MATERIAL	FINISH	QTY

UNLESS OTHERWISE SPECIFIED DIMENSIONS ARE IN MILLIMETERS. DIMENSIONS IN [ ] ARE IN INCHES AND FOR CUSTOMER REFERENCE ONLY.

UNLESS OTHERWISE SPECIFIED TOLERANCES FOR MILLIMETERS ARE:  
0.5 - 8mm ± 0.20mm  
8 - 30mm ± 0.40mm  
30 - 120mm ± 0.50mm

UNLESS OTHERWISE SPECIFIED TOLERANCES FOR INCHES ARE:  
.020 - .315 = ± 0.007"  
.315 - 1.180 = ± 0.015"  
1.180 - 4.724 = ± 0.020"

DO NOT SCALE DRAWING

APPROVALS		DATE
DRAWN	GRS	06/02/08
CHECKED		
ISSUED		
SHEET	1 OF 1	
CAD FILE	C:/222/222117.DWG	

# Amphenol Connex

PART DESCRIPTION

F PLUG - 1 PIECE CRIMP - RG59/U

PART NO.

222117

DWG. NO.

222117.DWG

REV. C

SIZE A

SCALE NA