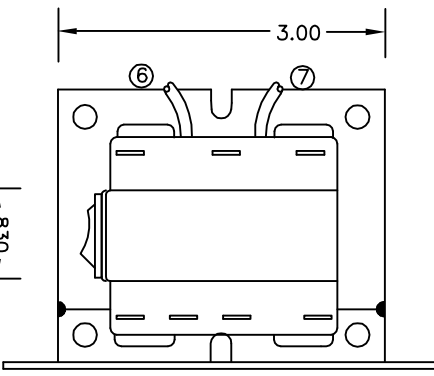
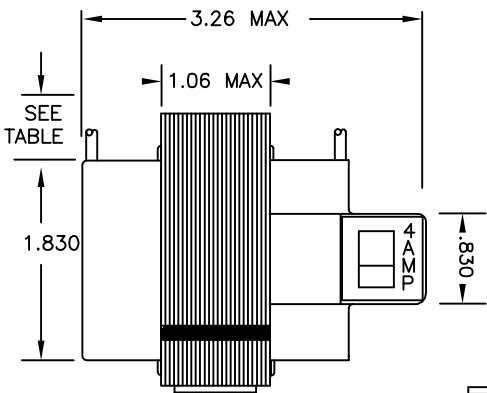
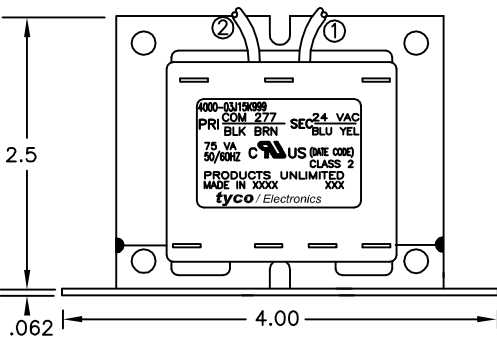
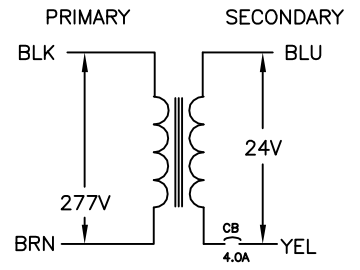
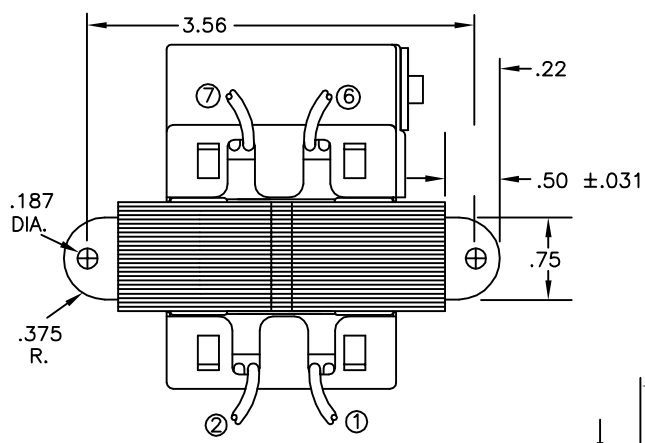


THIS DRAWING IS UNPUBLISHED. RELEASED FOR PUBLICATION  
 © COPYRIGHT BY TYCO ELECTRONICS CORPORATION. ALL RIGHTS RESERVED.

LOC	DIST	REVISONS		
GZ	00	P	LTR	DESCRIPTION
		B		EC0720-0095-03
			DATE	DWN
			17OCT03	MD
				APVD
				KH

ALL LEADS 18AWG-UNLESS OTHERWISE SPECIFIED						NOTES				CERTIFICATION:			
PRIMARY						1. DIMENSIONS FOR REFERENCE ONLY.				UL & CUL FILE NO. E87824			
LEAD NO.						2. ALL LEADS +1"/-0" TOL.				SECONDARY			
VOLTAGE						3. STRIP TOL. ±1/32				LEAD NO.			
COLOR						4. WINDING PROTECTION-				VOLTAGE			
LENGTH						INTERNALLY PROTECTED-4.0 AMP				COLOR			
STRIP LENGTH						CIRCUIT BREAKER.				LENGTH			
										STRIP LENGTH			



TYCO PART NUMBER  
3-1611468-4

THIS DRAWING IS A CONTROLLED DOCUMENT.		DWN	14OCT1996		Products www.tycoelectronics.com	Tyco Electronics Corporation	
DIMENSIONS: INCHES		CHK	-			Harrisburg, PA 17105-3608	
TOLERANCES UNLESS OTHERWISE SPECIFIED:		APVD	-		NAME		TRANSFORMER OUTLINE
0 PLC ± -		PRODUCT SPEC	-		SIZE		
1 PLC ± -		APPLICATION SPEC	-		CAGE CODE		
2 PLC ± -		WEIGHT	-		DRAWING NO		
3 PLC ± -		CUSTOMER DRAWING	-		A3 00779		
4 PLC ± -		SCALE	NONE		SHEET		
ANGLES ± -		SHEET	1 OF 1		REV		
FINISH		REV	B				