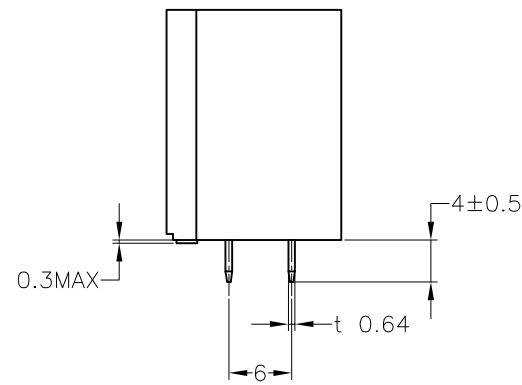
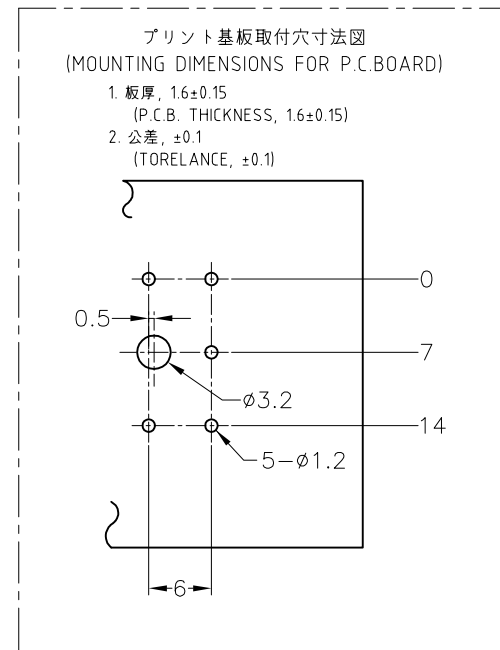
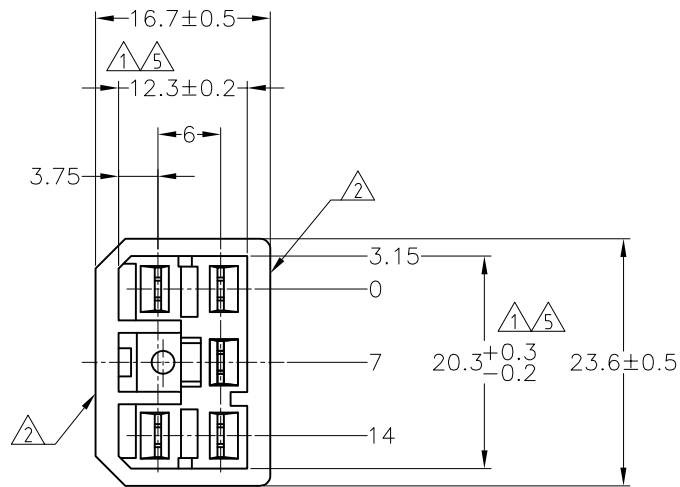
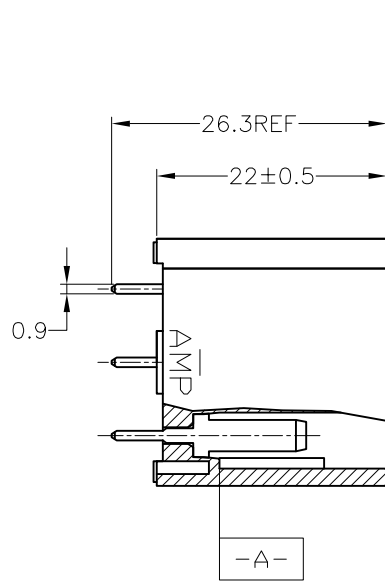


THIS DRAWING IS UNPUBLISHED. RELEASED FOR PUBLICATION  
 © COPYRIGHT - By - ALL RIGHTS RESERVED.

LOC		DIST		REVISIONS			
J	-	F	LTR	DESCRIPTION	DATE	DWN	APVD
		E5	REVISED	ECR-15-007795	25MAY2015	TS	KB



- △相手ハウジングと所定の機能を満たして嵌合できること。
- △フードの反りは0.2以内。
- 3. 推奨取付ねじ: JIS B 1115 又は、1122 タッピンねじ  
なべ1種, 呼び径3を使用し、締め付け後半田付けする。  
(締め付けトルク: 0.4N-m 以下)
- 4. 適用製品規格: 108-5093
- △[-A-] 面より2mmの範囲で測定。
- 6. 相手ハウジングとの嵌合力は、29.4N以下。  
但し、リセプタクル コンタクトは含まない。

- △IN COUPLING WITH THE PLUG HOUSING MATING SATISFIES FUNCTION.
- △WARPAGE 0.2 MAX.
- 3. RECOMMENDED MOUNTING SCREW: 3mm DIA,  
PAN HEAD, CLASS 1 TAPPING SCREW SPECIFIED IN JIS  
B1115, B1122 (TORQUE: 0.4N-m MAX.)
- 4. PRODUCT SPECIFICATION: 108-5093
- △TO BE MEASURED WITHIN 2mm FROM [-A-]
- 6. IN COUPLING WITH THE PLUG HOUSING MATING FORCE  
29.4N MAX. WITHOUT RECEPTACLE CONTACTS.

	SELECTIVE-TIN (MATTE)	SELECTIVE GOLD	NATURAL	1-5172037-1
	SEE CUSTOMER DRAWING 6-172037-1			6-172037-1
		PRE-TIN	NATURAL	5-172037-1
		PRE-TIN	NATURAL	4-172037-1
OBSOLETE	TIN-LEAD	SELECTIVE GOLD	GREEN	2-172037-4
	TIN-LEAD	SELECTIVE GOLD	NATURAL	2-172037-1
OBSOLETE	TIN-LEAD	SELECTIVE GOLD	GREEN	1-172037-4
		PRE-TIN	NATURAL	1-172037-1
		PRE-TIN	YELLOW	172037-7
OBSOLETE		PRE-TIN	GRAY	172037-6
OBSOLETE		PRE-TIN	BLUE	172037-5
		PRE-TIN	GREEN	172037-4
OBSOLETE		PRE-TIN	BROWN	172037-3
		PRE-TIN	BLACK	172037-2
		PRE-TIN	NATURAL	172037-1
	SOLDERING SIDE 半田付け部	CONTACT SIDE 接触部側	COLOR 色	PART NUMBER 製品型番
	CONTACT FINISH コンタクト仕上			

TOLERANCE UNLESS OTHERWISE SPECIFIED: 一般公差

0-≦10 : ±0.2  
 10-≦30 : ±0.25  
 30-≦100 : ±0.3  
 ANGLE : ±3°

THIS DRAWING IS A CONTROLLED DOCUMENT.

DIMENSIONS: 単位: 概 mm

TOLERANCES UNLESS OTHERWISE SPECIFIED: 一般公差

0 PLC ± -  
 1 PLC ± -  
 2 PLC ± -  
 3 PLC ± -  
 4 P.C. ± -  
 ANGLES ± -

MATERIAL 材料: HOUSING: 66 NYLON CONTACT: BRASS

FINISH 仕上: -

THIS DRAWING IS A CONTROLLED DOCUMENT. DWN T.SHINOHARA TOJAN08  
 CHK K.BETSUI TOJAN08  
 APVD K.BETSUI TOJAN08  
 PRODUCT SPEC 製品規格  
 APPLICATION SPEC 取付適用規格

SEE NOTE 4

5 POSITION VERTICAL TYPE CAP HOUSING ASSEMBLY MULTI-INTERLOCK CONNECTOR (WIRE TO P.C.B)

SCALE 2:1 SHEET 1 of 1 REV E5

STE TE Connectivity

SIZE A2 CAGE CODE 00779 DRAWING NO. 172037

172037

A