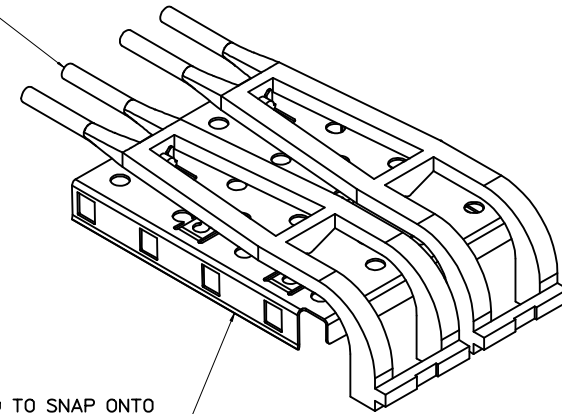


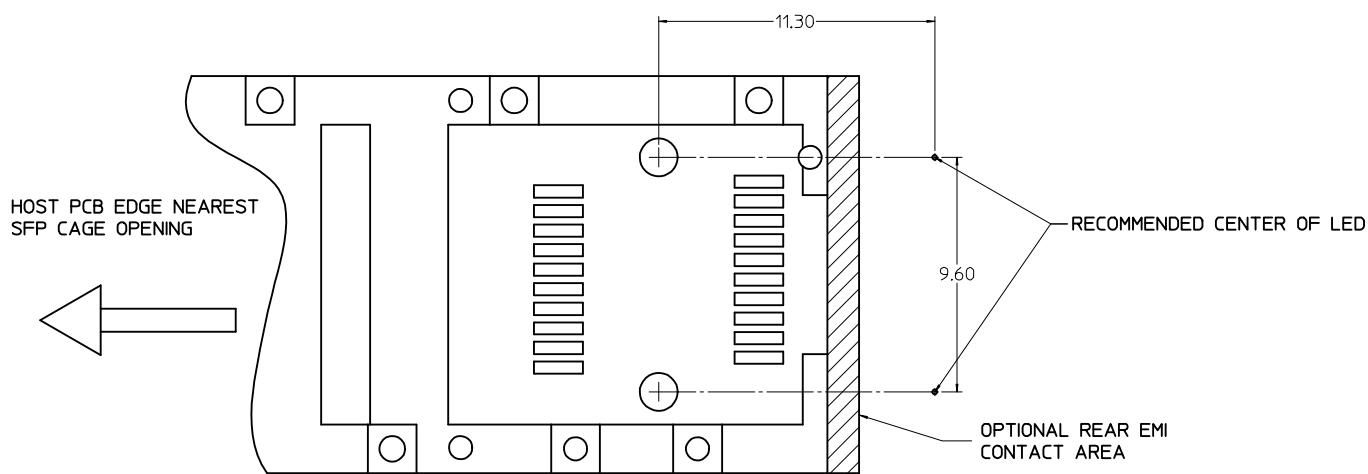
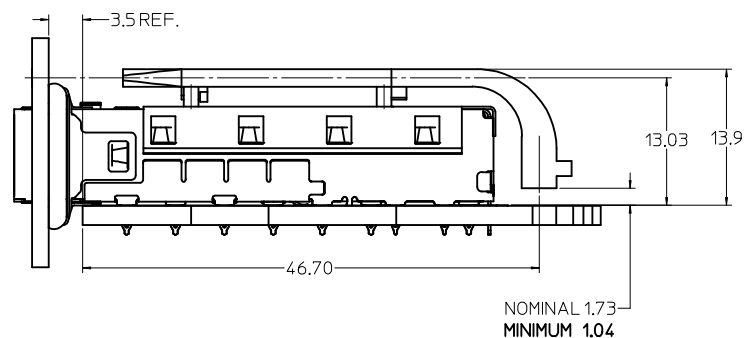
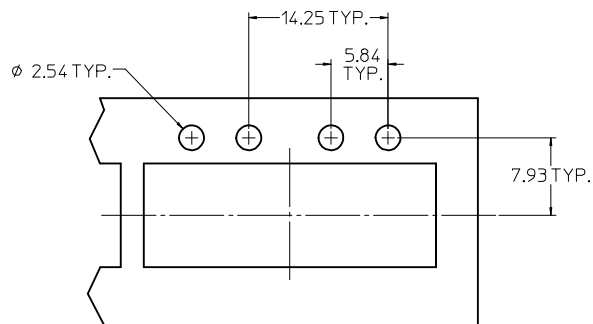
LIGHT PIPES SECURED TO METAL CAGE COVER



COVER DESIGNED TO SNAP ONTO THE SFP+ CAGE ASSEMBLY

1. MATERIAL:
COVER: COPPER ALLOY
LIGHT PIPE: POLYCARBONATE (94-V0 RATED)
2. THIS LIGHT PIPE ASSEMBLY IS TO BE USED WITH THE SFP+ 1X2 CAGE ASSEMBLY P/N 7475402**
3. IT IS RECOMMENDED THAT THE CAGE BE PRESSED INTO OR SOLDERED TO THE PCB PRIOR TO ASSEMBLING THE LIGHT PIPE ASSEMBLY.
4. NO RoHS EXEMPTIONS.

ENTER DESCRIPTION IEC NO: CPG2015-6065 DRAWN BY: DRWN:RSHIETTY CHYD: 2015/05/21 APPROV:RCHEN08 APPR:RCHEN08 2015/06/09	QUALITY SYMBOLS ∇=0 ∇=0 ∇=0	GENERAL TOLERANCES (UNLESS SPECIFIED)		DIMENSION STYLE MM ONLY	SCALE 4:1	DESIGN UNITS METRIC	THIRD ANGLE PROJECTION
		4 PLACES ± 0.15 3 PLACES ± 0.25 2 PLACES ± 0.30 1 PLACE ± 0.40 0 PLACE ± 0.50	mm INCH	DRAWN BY: K LLOYD DATE: 2007/12/06 CHECKED BY: MA JOHNSTON DATE: 2007/12/06 APPROVED BY: BLAU USY DATE: 2010/03/08	TITLE SFP+ 1X2 LIGHT PIPE ASSEMBLY, LOW PROFILE	MATERIAL NO: 747540021	DOCUMENT NO: SD-74754-0021
DRAFT WHERE APPLICABLE MUST REMAIN WITHIN DIMENSIONS		ANGULAR ± 1 °		THIS DRAWING CONTAINS INFORMATION THAT IS PROPRIETARY TO MOLEX INCORPORATED AND SHOULD NOT BE USED WITHOUT WRITTEN PERMISSION			



HOST PCB LAYOUT NOTES (SCALE 10:1)

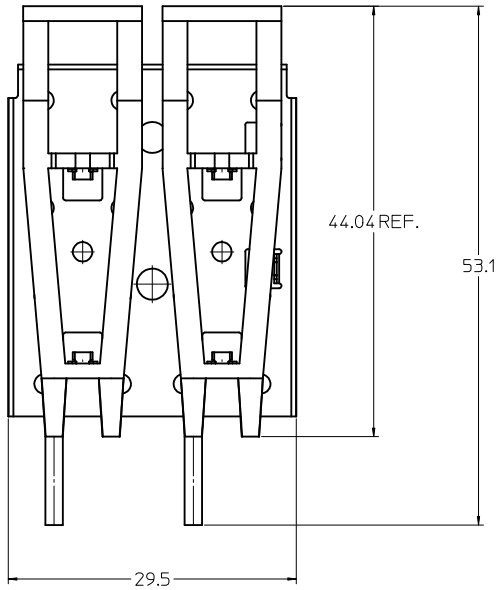
1. LED SHOULD BE PLACED RELATIVE TO THE SFP CONNECTOR POST HOLES
2. LAYOUT APPLIES TO EACH PORT

ENTER DESCRIPTION EC NO: CPG2015-6065 DRAWN BY: SHREY CHKD: APPR: RCHEN08 2015/05/21 2015/06/09 DESCRIPTION	QUALITY SYMBOLS	GENERAL TOLERANCES (UNLESS SPECIFIED)	DIMENSION STYLE	SCALE	DESIGN UNITS	THIRD ANGLE PROJECTION
	▽=0	4 PLACES ± --- ± ---	MM ONLY	4:1	METRIC	
	▽=0	3 PLACES ± --- ± ---				
	▽=0	2 PLACES ± 0.15 ± ---				
		1 PLACE ± 0.25 ± ---				
		0 PLACE ± ±				
		ANGULAR ± 1 °				
		DRAFT WHERE APPLICABLE MUST REMAIN WITHIN DIMENSIONS				
			MATERIAL NO.	DOCUMENT NO.		
			747540021	SD-74754-0021		
						SHEET NO.
						2 OF 3
			THIS DRAWING CONTAINS INFORMATION THAT IS PROPRIETARY TO MOLEX INCORPORATED AND SHOULD NOT BE USED WITHOUT WRITTEN PERMISSION			

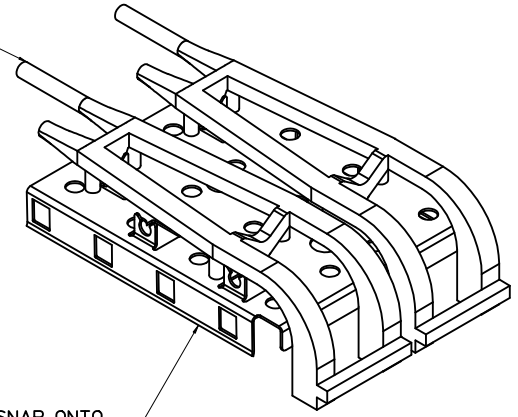
REVISION HISTORY

DATE	REV	DESCRIPTION
2015/05/20	D	SHEET1: 12 LIGHT PIPE PROFILE UPDATED SHEET3 : ADDED A REVISION TABLE

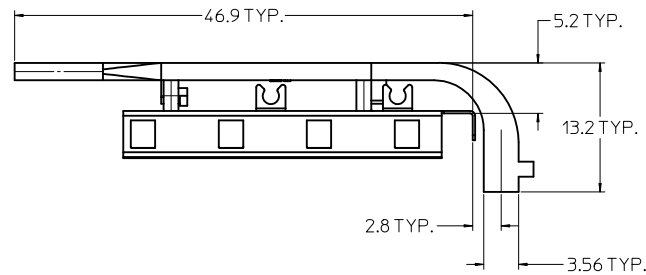
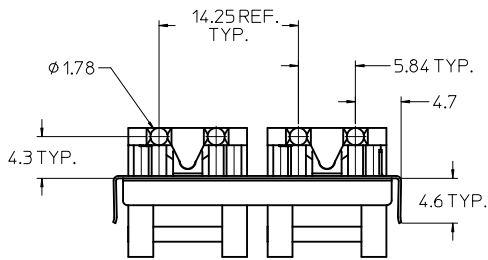
ENTER DESCRIPTION IEC NO: CPG2015-6065 DRAWN BY: CHYKD APPR: RCHEN08 DATE: 2015/05/21 2015/06/09	QUALITY SYMBOLS ▽=0 ▽=0 ▽=0	GENERAL TOLERANCES (UNLESS SPECIFIED) <table style="width: 100%; border: none;"> <tr> <td></td> <td style="text-align: center;">mm</td> <td style="text-align: center;">INCH</td> </tr> <tr> <td>4 PLACES</td> <td style="text-align: center;">± .00</td> <td style="text-align: center;">± .00</td> </tr> <tr> <td>3 PLACES</td> <td style="text-align: center;">± .01</td> <td style="text-align: center;">± .00</td> </tr> <tr> <td>2 PLACES</td> <td style="text-align: center;">± 0.15</td> <td style="text-align: center;">± .00</td> </tr> <tr> <td>1 PLACE</td> <td style="text-align: center;">± 0.25</td> <td style="text-align: center;">± .00</td> </tr> <tr> <td>0 PLACE</td> <td style="text-align: center;">±</td> <td style="text-align: center;">±</td> </tr> </table>		mm	INCH	4 PLACES	± .00	± .00	3 PLACES	± .01	± .00	2 PLACES	± 0.15	± .00	1 PLACE	± 0.25	± .00	0 PLACE	±	±	DIMENSION STYLE MM ONLY	SCALE 1:1	DESIGN UNITS METRIC	THIRD ANGLE PROJECTION
		mm	INCH																					
	4 PLACES	± .00	± .00																					
3 PLACES	± .01	± .00																						
2 PLACES	± 0.15	± .00																						
1 PLACE	± 0.25	± .00																						
0 PLACE	±	±																						
DRAFT WHERE APPLICABLE MUST REMAIN WITHIN DIMENSIONS	ANGULAR ± 1 °	DRAWN BY DATE KLLOYD 2007/12/06	TITLE SFP+ 1X2 LIGHT PIPE ASSEMBLY, LOW PROFILE																					
MATERIAL NO: 747540021	APPROVED BY DATE BLAU USY 2010/03/08	DOCUMENT NO. SD-74754-0021		SHEET NO. 3 OF 3																				



LIGHT PIPES SECURED TO METAL CAGE COVER



COVER DESIGNED TO SNAP ONTO THE SFP+ CAGE ASSEMBLY



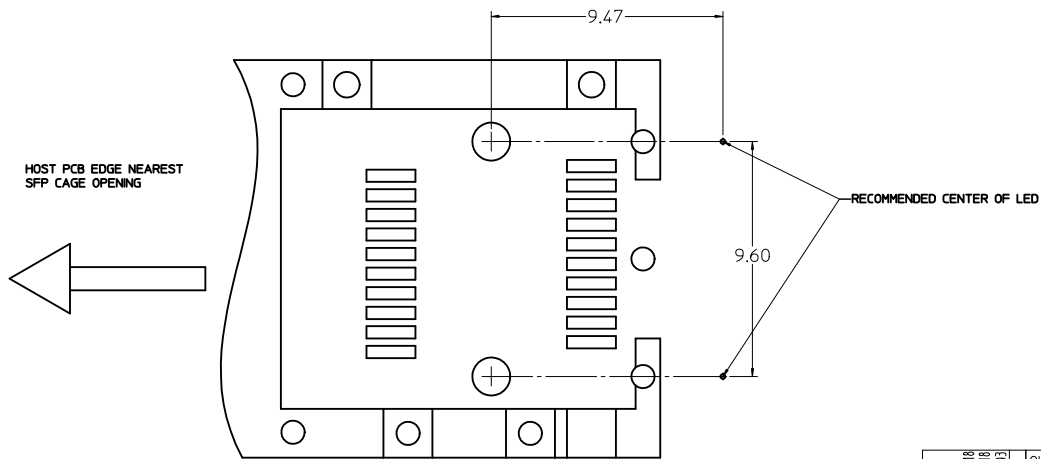
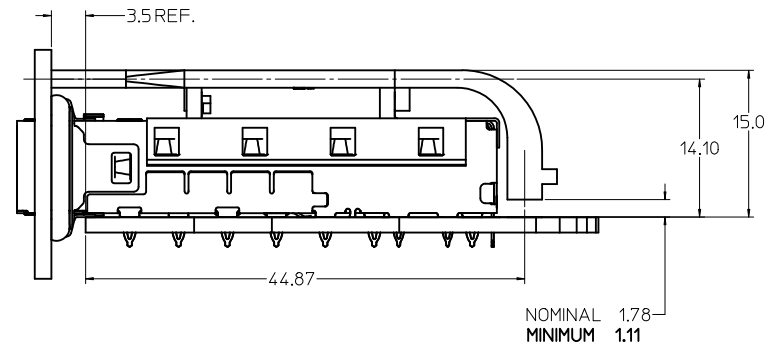
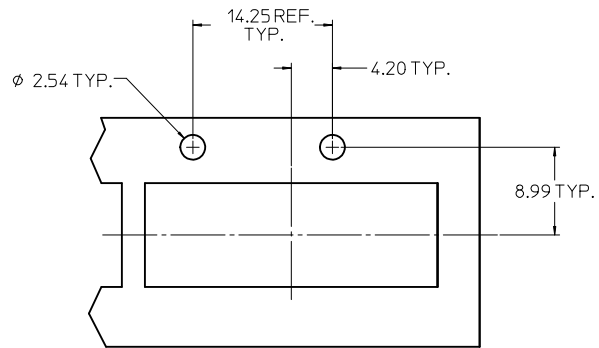
1. MATERIAL:

COVER: COPPER ALLOY
 LIGHT PIPE: POLYCARBONATE (94-V0 RATED)

- THIS LIGHT PIPE ASSEMBLY IS TO BE USED WITH THE SFP+ 1X2 CAGE ASSEMBLY P/N 7475402**
- IT IS RECOMMENDED THAT THE CAGE BE PRESSED INTO OR SOLDERED TO THE PCB PRIOR TO ASSEMBLING THE LIGHT PIPE ASSEMBLY.

- THIS PART MEETS THE RESTRICTION OF HAZARDOUS SUBSTANCES IN ELECTRICAL AND ELECTRONIC EQUIPMENT (RoHS) DIRECTIVE (2002/95/EC)

INITIAL RELEASE EC NO: USY2011-0623 DRAWN: ERWIN 2011/02/18 CHECKED: JANOTA 2011/02/18 APPROVED: JANOTA 2011/05/03 REV DESCRIPTION	QUALITY SYMBOLS ▽=0 ▽=0		GENERAL TOLERANCES (UNLESS SPECIFIED)		DIMENSION STYLE MM ONLY	SCALE 4:1	DESIGN UNITS METRIC	THIRD ANGLE PROJECTION
	4 PLACES ±--- ±--- 3 PLACES ±--- ±--- 2 PLACES ±0.15 ±--- 1 PLACE ±0.25 ±--- ANGULAR ± 1°	mm INCH	DRAWN BY JERWIN	DATE 2011/02/18	TITLE SFP+ 1X2 LIGHT PIPE ASSEMBLY	MOLEX INCORPORATED MATERIAL NO. 747540025 DOCUMENT NO. SD-74754-0025 SHEET NO. 1 OF 2		
DRAFT WHERE APPLICABLE MUST REMAIN WITHIN DIMENSIONS		APPROVED BY JANOTA	DATE 2011/05/03					



HOST PCB LAYOUT
PCB LAYOUT APPLIES TO EACH PORT
SCALE 10:1

INITIAL RELEASE IEC NO. USY2011-0623 DRAWN: JERWIN 2011/02/18 CHYDK: JANOJA 2011/02/18 APPR: K. JANOJA 2011/05/03	QUALITY SYMBOLS	GENERAL TOLERANCES (UNLESS SPECIFIED)	DIMENSION STYLE	SCALE	DESIGN UNITS	THIRD ANGLE PROJECTION															
	$\nabla=0$ $\nabla=0$	<table border="1"> <thead> <tr> <th></th> <th>mm</th> <th>INCH</th> </tr> </thead> <tbody> <tr> <td>4 PLACES</td> <td>± 0.15</td> <td>± 0.006</td> </tr> <tr> <td>3 PLACES</td> <td>± 0.25</td> <td>± 0.010</td> </tr> <tr> <td>2 PLACES</td> <td>± 0.38</td> <td>± 0.015</td> </tr> <tr> <td>1 PLACE</td> <td>± 0.51</td> <td>± 0.020</td> </tr> </tbody> </table>		mm	INCH	4 PLACES	± 0.15	± 0.006	3 PLACES	± 0.25	± 0.010	2 PLACES	± 0.38	± 0.015	1 PLACE	± 0.51	± 0.020	MM ONLY	4:1	METRIC	
		mm	INCH																		
	4 PLACES	± 0.15	± 0.006																		
3 PLACES	± 0.25	± 0.010																			
2 PLACES	± 0.38	± 0.015																			
1 PLACE	± 0.51	± 0.020																			
DESCRIPTION	DRAFT WHERE APPLICABLE MUST REMAIN WITHIN DIMENSIONS	TITLE	SFP+ 1X2 LIGHT PIPE ASSEMBLY																		
REV		MATERIAL NO.	MOLEX INCORPORATED																		
		747540025	DOCUMENT NO. SD-74754-0025																		
		THIS DRAWING CONTAINS INFORMATION THAT IS PROPRIETARY TO MOLEX INCORPORATED AND SHOULD NOT BE USED WITHOUT WRITTEN PERMISSION																			