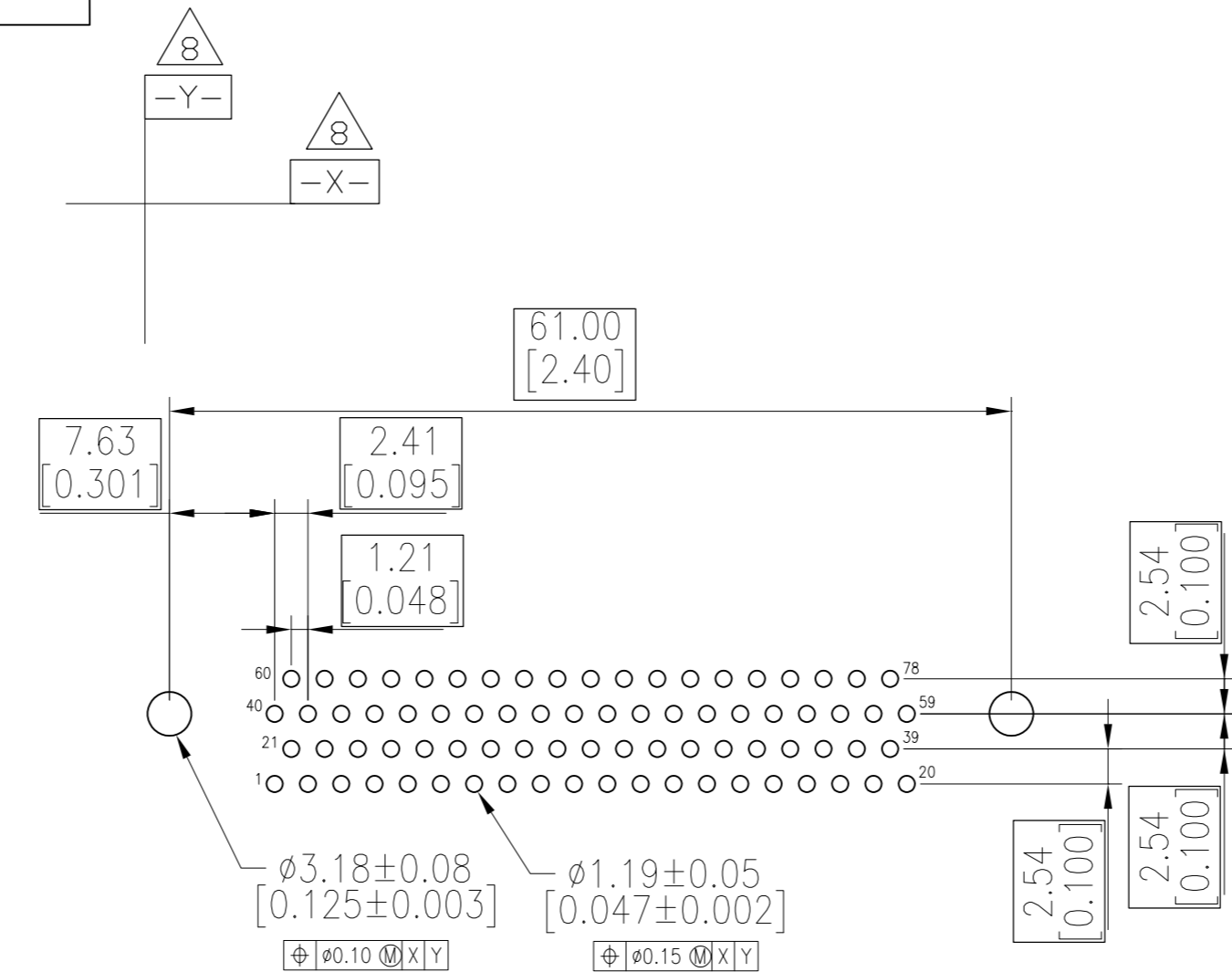
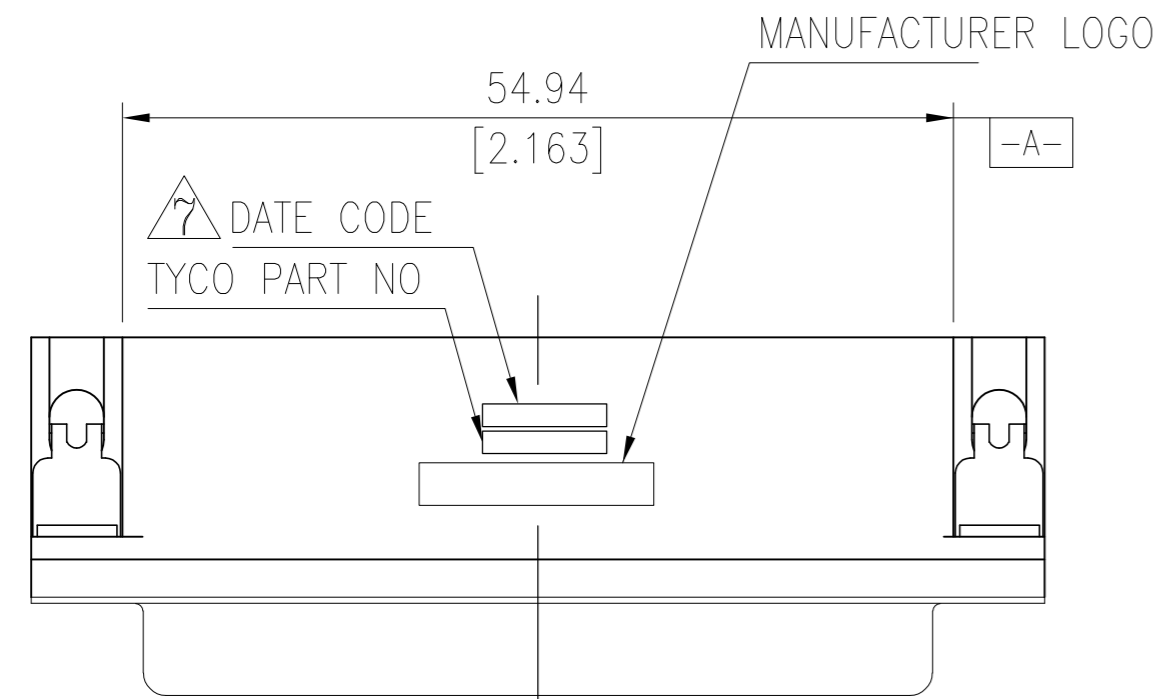


THIS DRAWING IS UNPUBLISHED. RELEASED FOR PUBLICATION
 © COPYRIGHT BY TYCO ELECTRONICS CORPORATION. ALL RIGHTS RESERVED.

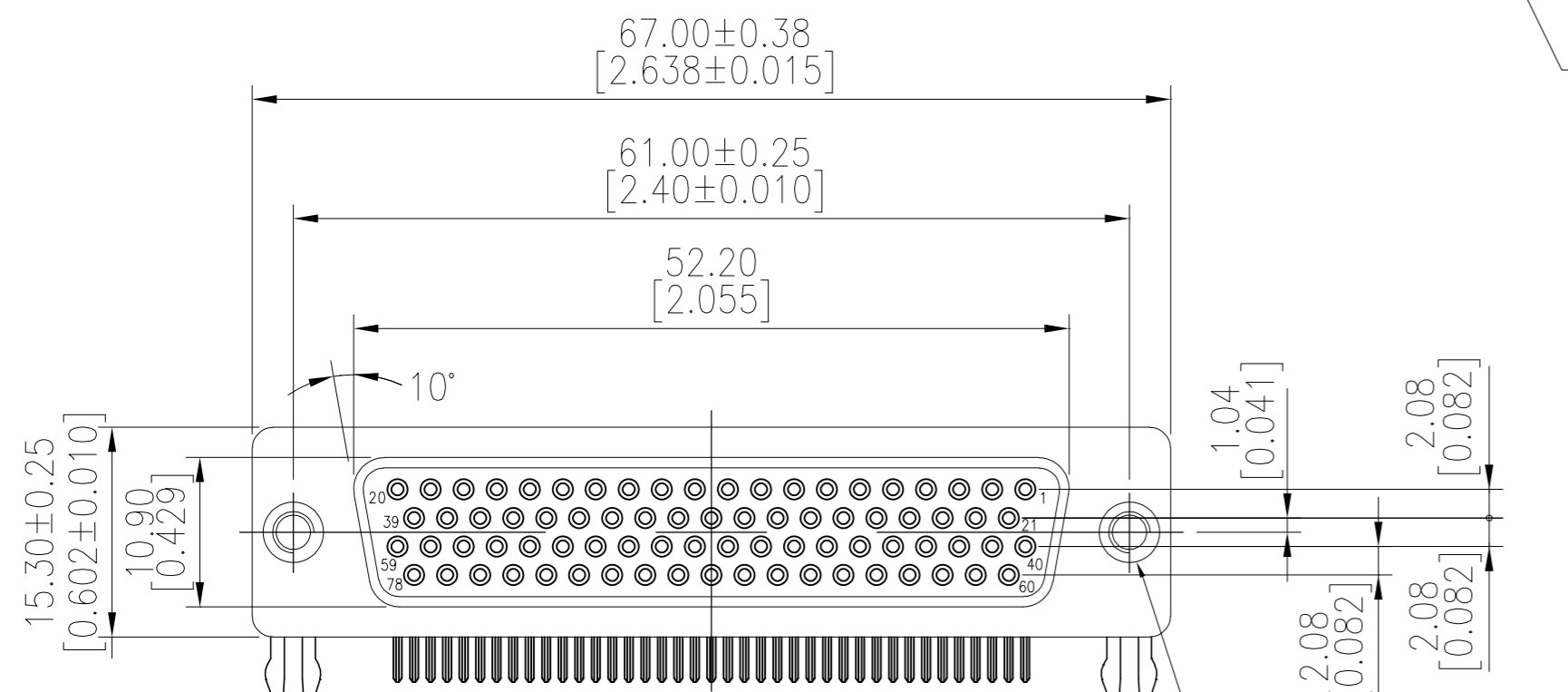
LOC	DIST	REVISIONS					
GP	00	P	LTR	DESCRIPTION	DATE	DWN	APVD
		B		REVISED PER ECO-09-005756	15APR2009	ZMR	SLB



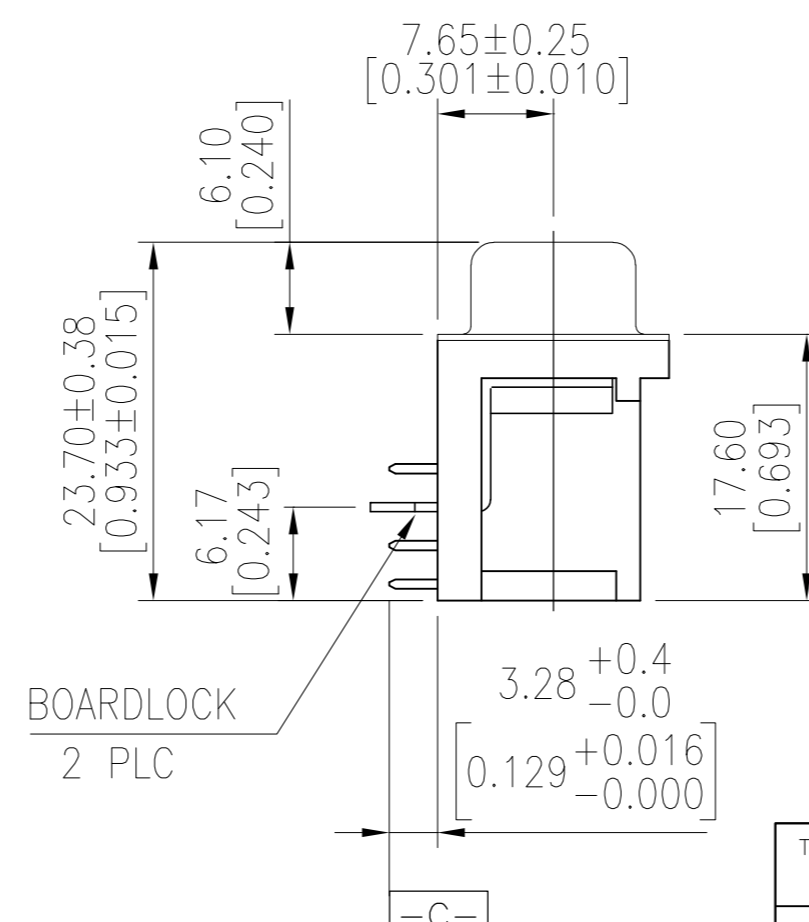
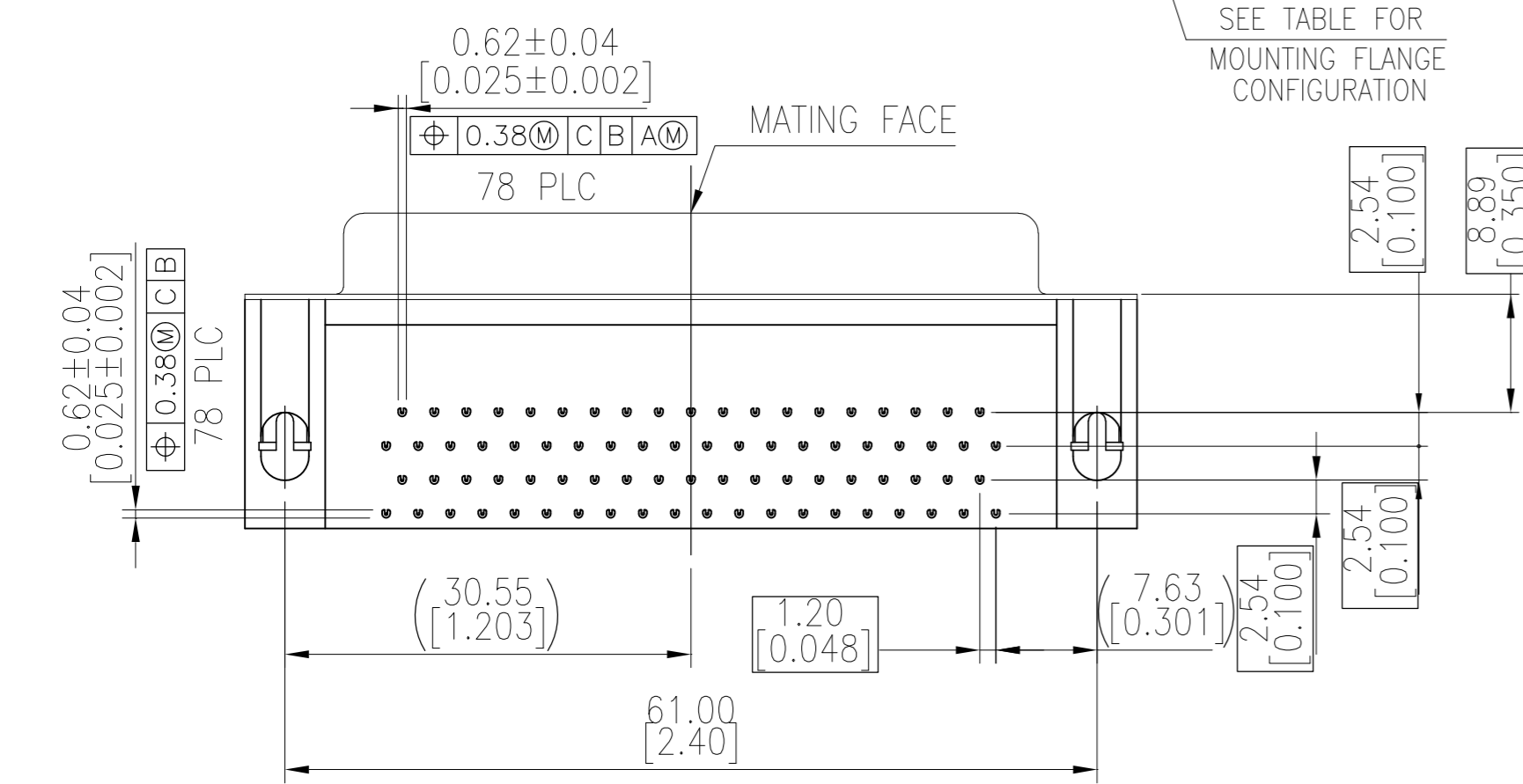
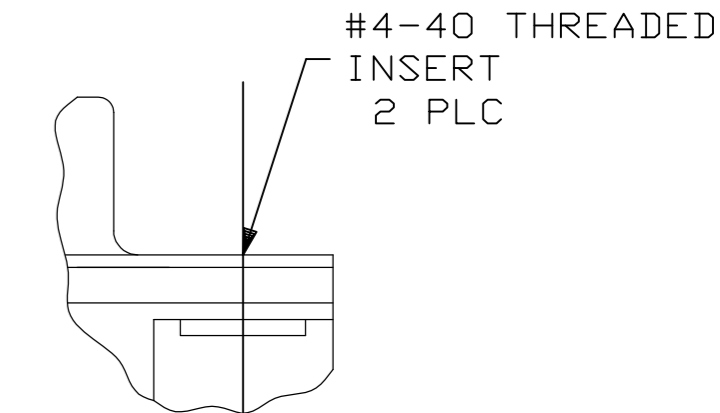
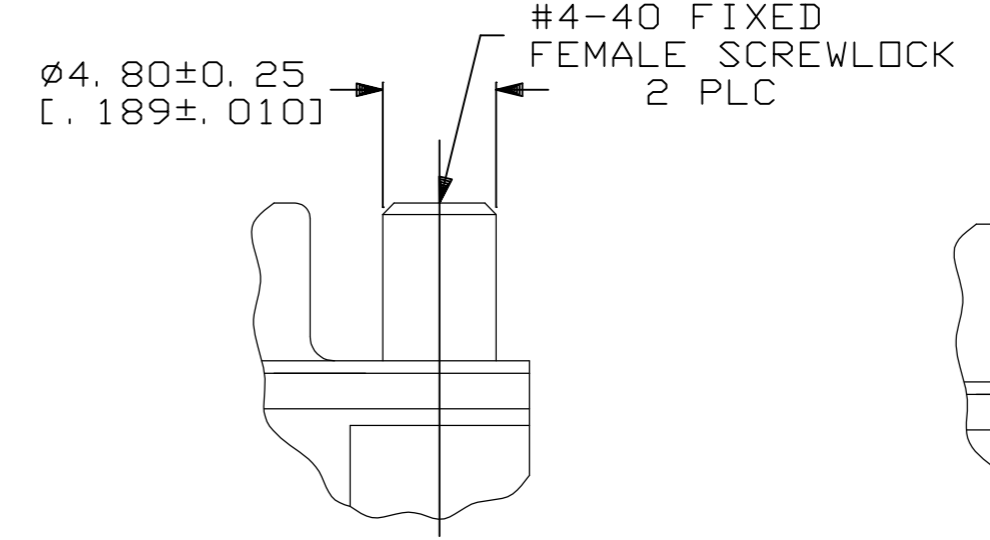
- HOUSING MATERIAL: PBT, GLASS FILLED, BLACK, UL 94V-0 RATED.
- CONTACT MATERIAL: PHOSPHOR BRONZE.
- CONTACT FINISH: GOLD PLATE IN MATING AREA (SEE TABLE), 120µ" MIN TIN PLATE ON SOLDER TAIL, BOTH OVER 50µ" MIN NICKEL UNDERPLATE.
- SHELL: STEEL, NICKEL PLATE.
- BOARDLOCK: BRASS, 100µ" MIN TIN PLATE.
- FEMALE SCREWLOCKS/ THREADED INSERTS: BRASS, NICKEL PLATE.

△ FOUR DIGIT DATE CODE IN THIS FORMAT.
 Year 01 45 Manufacturing Week

△ DATUMS [-X-] & [-Y-] TO BE ESTABLISHED BY CUSTOMER.



RECOMMENDED PCB LAYOUT



PLC	Material	Finish	Mounting Flange Configuration	Contact Mating Area Finish	AMP Part NO.
OBSOLETE	Tray		Detail A	15µ" MIN	2-5748483-2
OBSOLETE	Tray		Detail B	Gold flash	2-5748483-1
OBSOLETE	Tray		Detail B	15µ" MIN	2-5748483-0
	Tray		Detail A	30µ" MIN	5748483-6
	Tray		Detail B	30µ" MIN	5748483-5

5748483-5, 2--0, & 2--1 SHOWN

THIS DRAWING IS A CONTROLLED DOCUMENT.

DIMENSIONS: mm	TOLERANCES UNLESS OTHERWISE SPECIFIED: 0 PLC ± - 1 PLC ± 0.30 2 PLC ± 0.20 3 PLC ± 0.10 4 PLC ± - ANGLES ± 2°	DWN B.MCMMASTER 21SEP05 CHK S. BOLASH 21SEP05 APVD M. WALMSLEY 21SEP05 PRODUCT SPEC APPLICATION SPEC	Tyco Electronics Corporation Harrisburg, PA 17105-3608
MATERIAL	FINISH	WEIGHT	NAME AMPLIMITE HD-22 78 POS RECEPTACLE, RIGHT ANGLE
		CUSTOMER DRAWING	SIZE A2 CAGE CODE 00779 DRAWING NO C=5748483 RESTRICTED TO
			SCALE 4:1 SHEET 1 OF 1 REV B