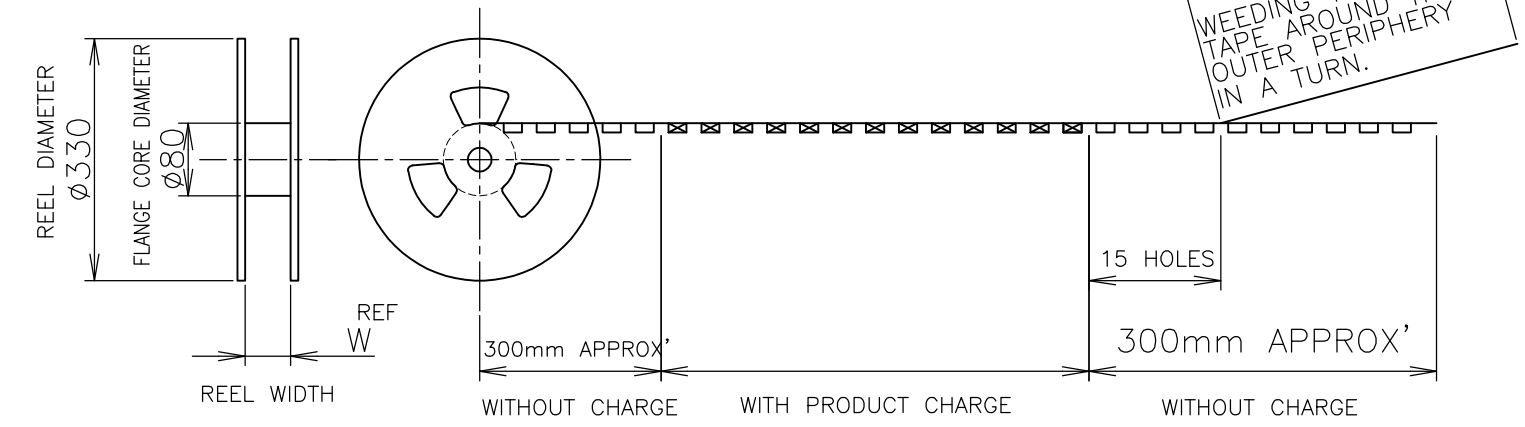
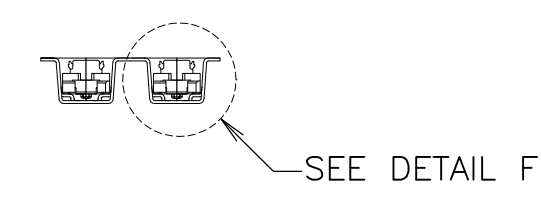
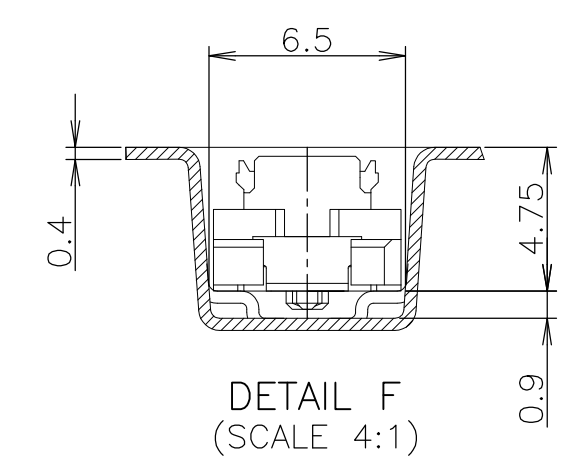
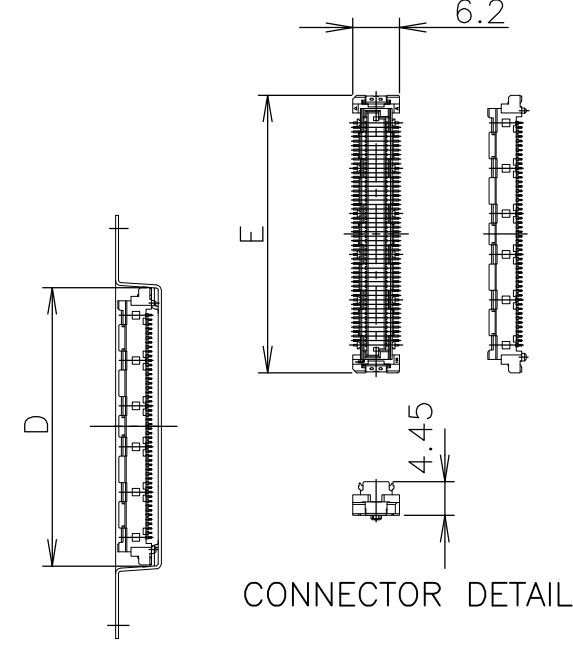
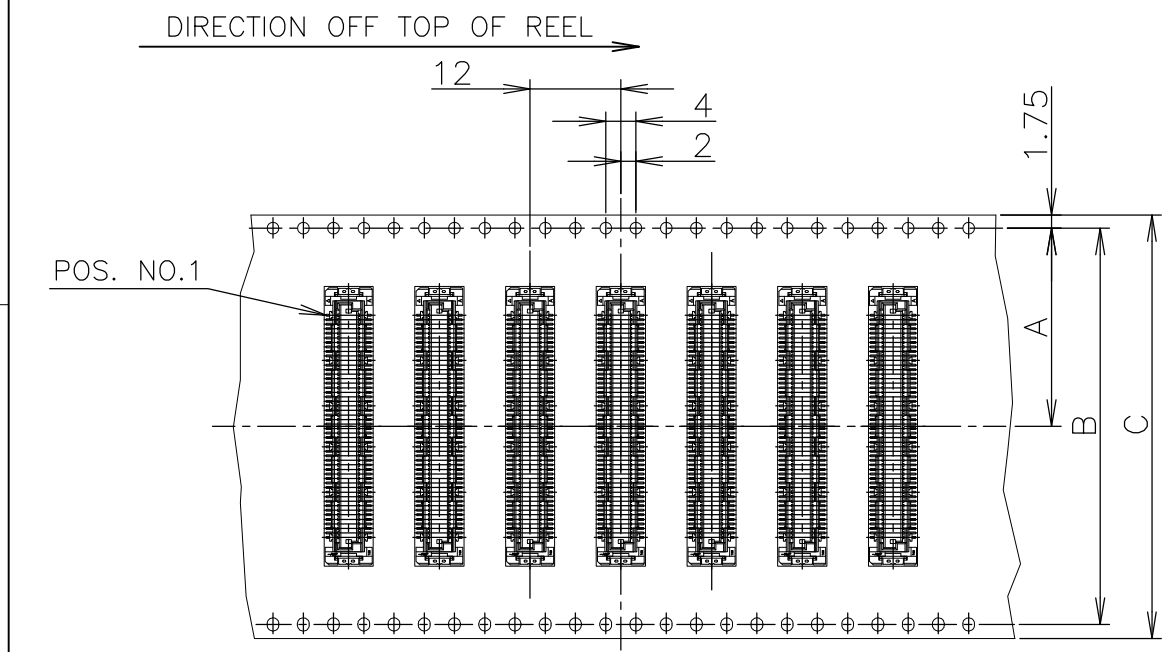


THIS DRAWING IS UNPUBLISHED. RELEASED FOR PUBLICATION DEC ,1996.
 © COPYRIGHT 1996 By - ALL RIGHTS RESERVED.

LOC	DIST	REVISIONS			
P	LTR	DESCRIPTION	DATE	DWN	APVD
J		B1 REVISED ECR-15-005119	02APR2015	I.T	W.H



SEALANT	TOOLING STATUS	QTY.	W	E	D	C	B	A	POS.	PART NO.
			NOT AVAILABLE	1000	77.5	54.7	55	72	68.4	34.2
			77.5	48.7	49	72	68.4	34.2	140	6- -0
			61.5	42.7	43	56	52.4	26.2	120	5- -9
			61.5	36.7	37	56	52.4	26.2	100	5- -8
			61.5	33.7	34	56	52.4	26.2	90	5- -7
			49.5	30.7	31	44	40.4	20.2	80	5- -6
			49.5	27.7	28	44	40.4	20.2	70	5- -5
			49.5	24.7	25	44	40.4	20.2	60	5- -4
			37.5	21.7	22	32	28.4	14.2	50	5- -3
			37.5	18.7	19	32	28.4	14.2	40	5- -2
			29.5	15.7	16	24	11.5	11.5	30	5-5353692-1
NON SEALANT			77.5	54.7	55	72	68.4	34.2	160	1-5353692-1
			77.5	48.7	49	72	68.4	34.2	140	1- -0
			61.5	42.7	43	56	52.4	26.2	120	-9
			61.5	36.7	37	56	52.4	26.2	100	-8
			61.5	33.7	34	56	52.4	26.2	90	-7
			49.5	30.7	31	44	40.4	20.2	80	-6
			49.5	27.7	28	44	40.4	20.2	70	-5
			49.5	24.7	25	44	40.4	20.2	60	-4
			37.5	21.7	22	32	28.4	14.2	50	-3
			37.5	18.7	19	32	28.4	14.2	40	-2
			29.5	15.7	16	24	11.5	11.5	30	5353692-1

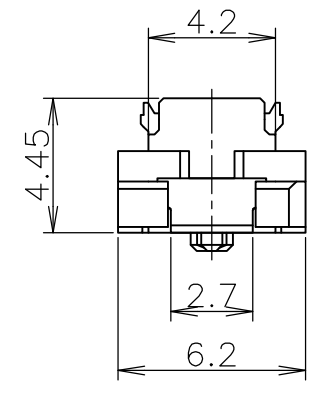
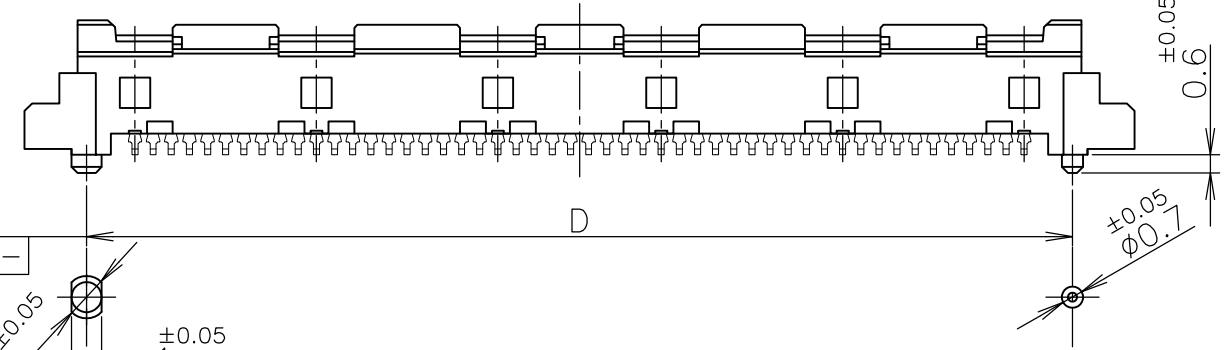
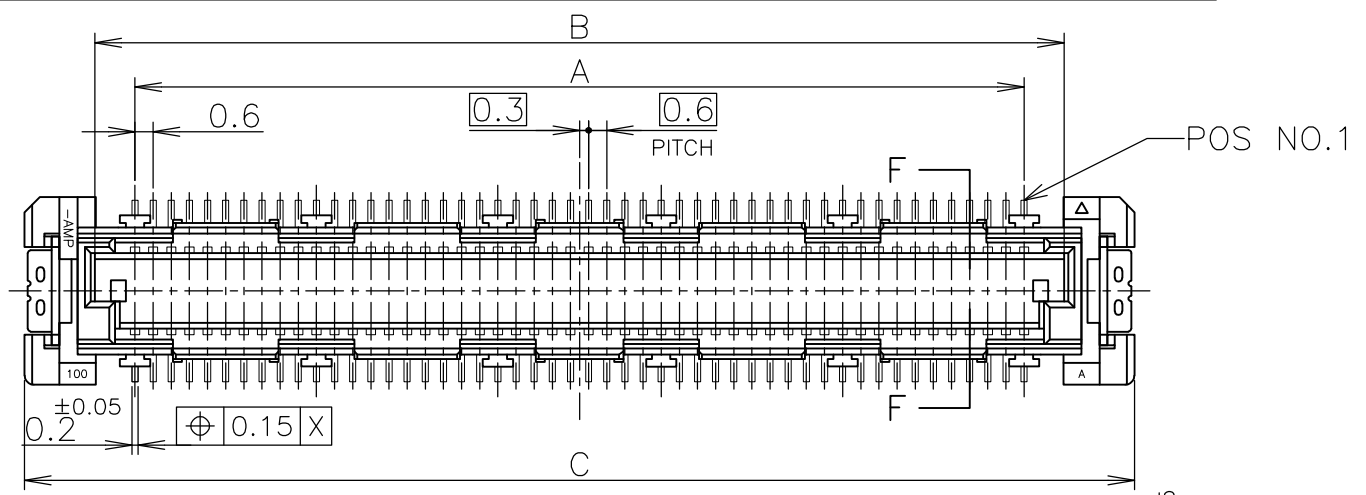
3 THIS PRODUCT WAS COATED BY FLUX-PENETRATION -INHIBITING AGENT.

THIS DRAWING IS A CONTROLLED DOCUMENT.

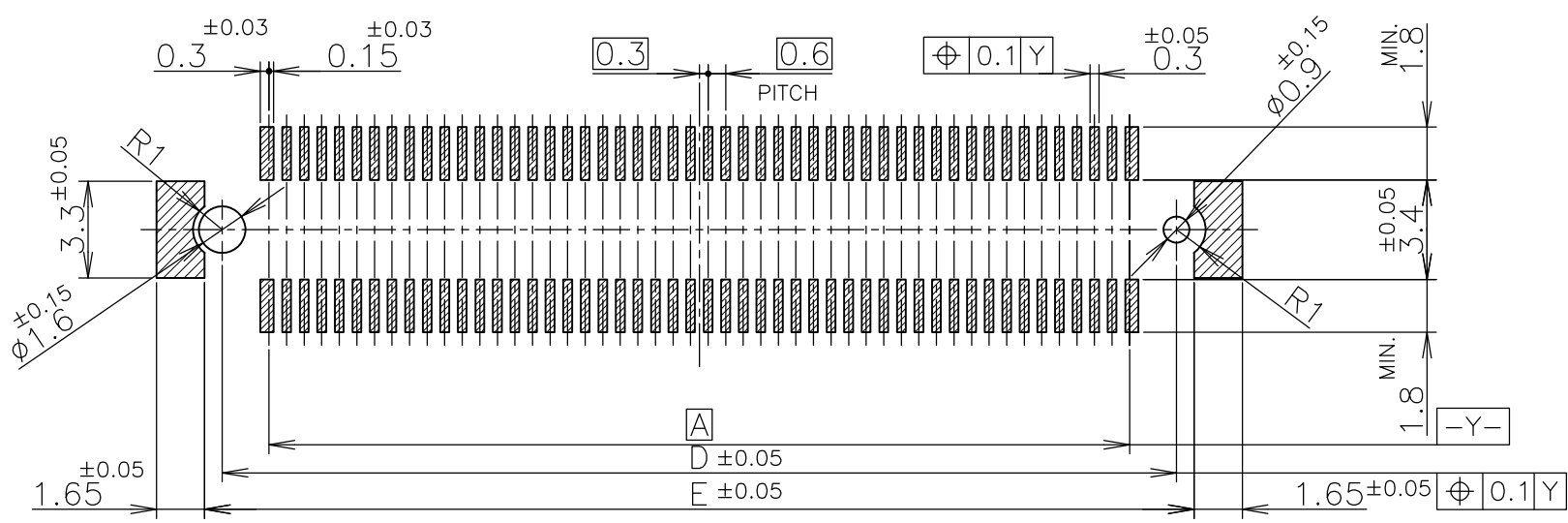
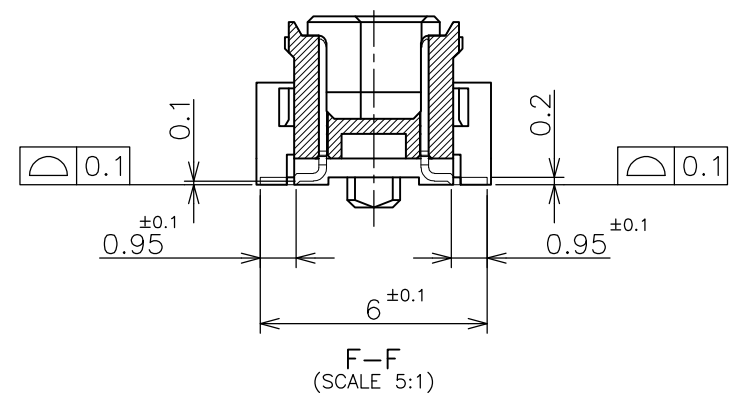
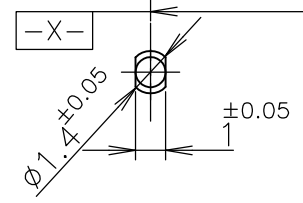
DIMENSIONS: mm	TOLERANCES UNLESS OTHERWISE SPECIFIED:	DWN HAWKING HE 14DEC04	STE TE Connectivity
	0 PLC ± 0.2	CHK STEVEN YAO 14DEC04	
	1 PLC ± 0.2	APVD I.ENOMOTO 14DEC04	
	2 PLC ± 0.2	NAME	
	3 PLC ± 0.2	PRODUCT SPEC	EMBOSS ASSY
	4 PLC ± 0.2	APPLICATION SPEC	FH 0.6BTB CONNECTOR
	ANGLES ± 5°	108-60047	PLUG 5H STD TYPE
MATERIAL	FINISH	114-5255	SIZE CAGE CODE DRAWING NO RESTRICTED TO
		WEIGHT	A3 00779 C-5353692
CUSTOMER DRAWING			SCALE 1:1 SHEET 1 OF 2 REV B1

THIS DRAWING IS UNPUBLISHED. RELEASED FOR PUBLICATION DEC , 1996. ALL RIGHTS RESERVED.

LOC	DIST	REVISIONS					
		P	LTR	DESCRIPTION	DATE	DWN	APVD
J		-		SEE SHEET 1	-	-	-



△ MATERIAL ; HOUSING : HIGH TEMP THERMO PLASTIC UL94V-0
 CONTACT : COPPER ALLOY
 △ FINISH ; UNDER PL Ni 0.0013mm MIN ALL OVER.
 CONTACT AREA 0.0002 MIN Au PL.
 SOLDERING AREA 0.001 MIN TIN PL.



REFERENCE P.C. BOARD LAYOUT

NOT AVAILABLE	51.8	50.6	54.7	50	47.4	160
↑	45.8	44.6	48.7	44	41.4	140
	39.8	38.6	42.7	38	35.4	120
NOT AVAILABLE	33.8	32.6	36.7	32	29.4	100
AVAILABLE	30.8	29.6	33.7	29	26.4	90
NOT AVAILABLE	27.8	26.6	30.7	26	23.4	80
↑	24.8	23.6	27.7	23	20.4	70
NOT AVAILABLE	21.8	20.6	24.7	20	17.4	60
AVAILABLE	18.8	17.6	21.7	17	14.4	50
NOT AVAILABLE	15.8	14.6	18.7	14	11.4	40
NOT AVAILABLE	12.8	11.6	15.7	11	8.4	30
TOOLING STATUS	E	D	C	B	A	POS

THIS DRAWING IS A CONTROLLED DOCUMENT.

DIMENSIONS: mm	TOLERANCES UNLESS OTHERWISE SPECIFIED: 0 PLC ± 0.3 1 PLC ± 0.3 2 PLC ± 0.3 3 PLC ± 0.3 4 PLC ± 0.3 ANGLES ± 3°
MATERIAL	FINISH

DWN	CHK	APVD	PRODUCT SPEC	APPLICATION SPEC	WEIGHT
-----	-----	------	--------------	------------------	--------

STE TE Connectivity

NAME: EMOSS ASSY
FH 0.6BTB CONNECTOR
PLUG 5H STD TYPE

SIZE: A3 CAGE CODE: 00779 DRAWING NO: C-5353692 RESTRICTED TO: []

CUSTOMER DRAWING SCALE: 4:1 SHEET: 2 OF 2 REV: B1