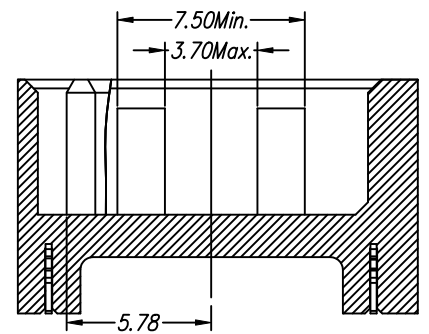
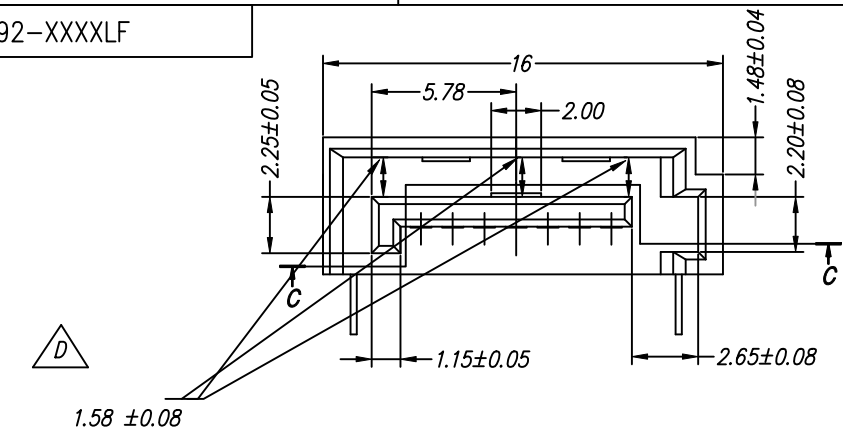


Tous droits strictement reserves. Reproduction ou communication a des tiers interdite sous quelque forme que ce soit sans autorisation ecrite du proprietaire. Propriete de c FCI. Droits de reproduction FCI.

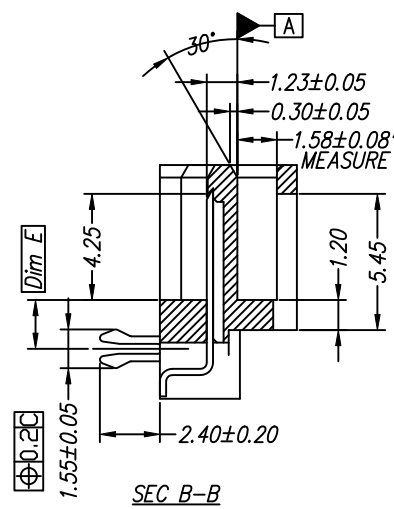
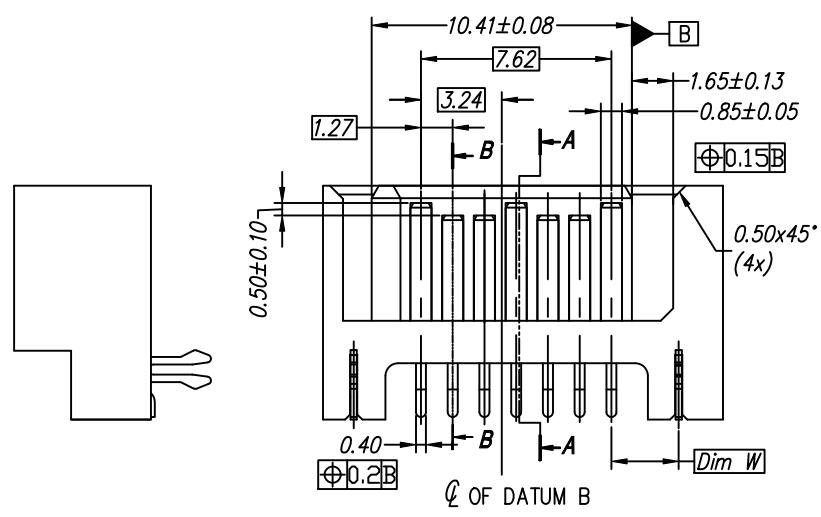


All rights strictly reserved. Reproduction or issue to third parties in any form whatever is not permitted without written authority from the proprietor. Property of FCI. Copyright FCI.

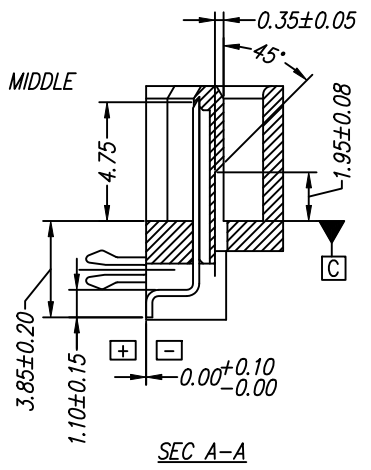
10035692-XXXXLF



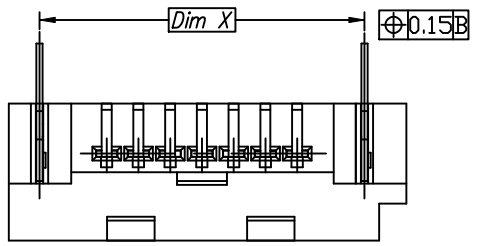
SEC. C-C



SEC B-B



SEC A-A



mat'l. code				tolerances unless otherwise specified				CUSTOMER COPY		FCI www.fciconnect.com	
ltr	ecn no	dr	date	linear	.X ± 0.30		projection		title		
A	T05-0213	L.W	09/09/05		.XX ± 0.20		⊕		S-ATA SIGNAL PLUG SMT R/A TYPE ASS'Y		
B	T06-0181	S.Lin	11/01/06		.XXX ± 0.10		MM		product family SATA		
C	T08-1100	S.Lin	06/10/08	angles	0° ± 2°		← MM →		size dwg no		
D	T10-0185	S.Lin	10'-12-08	dr	WADE LIU	09/09/05	scale		A4		
				engr	WADE LIU	09/09/05	NA		10035692		
				chr	WADE LIU	09/09/05			code		
				appd	STERLING LIN	09/09/05			TWN		
sheet index	revision sheet	D	D						sheet 1 of 2		
		1	2								

ACAD

PDM: Rev:D

STATUS: Released

Printed: Dec 09, 2010



PRODUCT NO.	DIM 'W'	DIM 'X'	DIM 'E'	DIM 'F'	PACKING	NOTE
10035692-001LF	2.69	13.00	1.95	2.40	TUBE	
10035692-001TLF	2.69	13.00	1.95	2.40	T&R	
10035692-011LF	2,56	12,74	0,95	3.36	TUBE	
10035692-001THLF	2.69	13.00	1.95	2.40	T&R	H FREE



NOTES :

1. MATERIAL

- i) HOUSING : HIGH TEMPERATURE THERMOPLASTIC UL94V-0 , BLACK
- ii) TERMINAL : COPPER ALLOY
- iii) HOLD DOWN : COPPER ALLOY

2. FINISH

- i) TERMINAL : 15u" min Au PLATING AT CONTACT POINT
100u" min Sn PLATING AT SOLDER TAIL WITH NICKEL UNDERPLATE

- ii) HOLD DOWN : 100-200 u" Sn PLATING.

3. P/N : 10035692-XXXLF

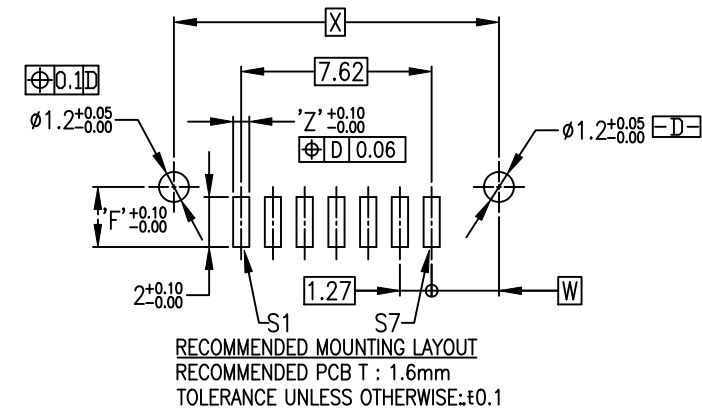
THE HOUSING WILL WITHSTAND EXPOSURE TO 260 DEGREE C PEAK TEMPERATURE FOR 10 SECONDS IN A WAVE SOLDER APPLICATION WITH 1.6MM MINIMUM THICK CIRCUIT BOARD.

4. PRODUCT SPEC: GS-12-194

110-634 (10035692-001TLF ONLY)

5. PACKING SPEC: GS-14-840

PACKING TUBE&STOPPER:10020959-004&10026026-004



mat'l. code				tolerances unless otherwise specified			CUSTOMER COPY	FCI					
ltr	ecn no	dr	date	linear	.X ± 0.30	projection	www.fciconnect.com						
A	T05-0213	L.W	09/09/05		.XX ± 0.20								
B	T06-0181	S.Lin	11/01/06		.XXX ± 0.10								
C	T08-1100	S.Lin	06/10/08	angles	0° ±2°	MM	title S-ATA SIGNAL PLUG SMT R/A TYPE ASS'Y						
D	T10-0185	S.Lin	10'-12-08	dr	WADE LIU 09/09/05				scale NA	product family	SATA		
				engr	WADE LIU 09/09/05					size	dwg no		
				chr	WADE LIU 09/09/05					A4	10035692	code	TWN
				appd	STERLING LIN 09/09/05							sheet	2 of 2
sheet index	revision sheet	D	D										
		1	2										