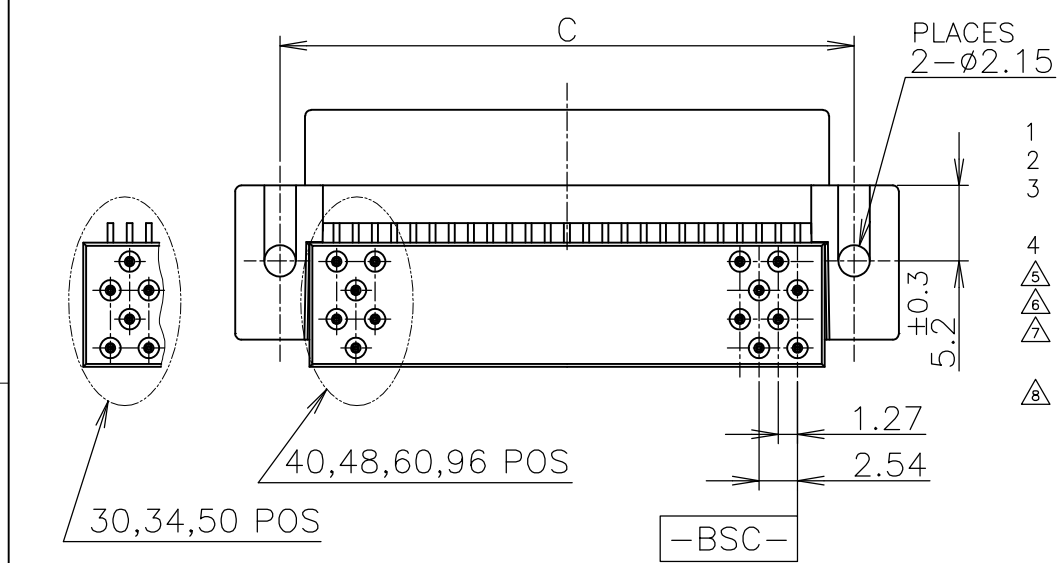
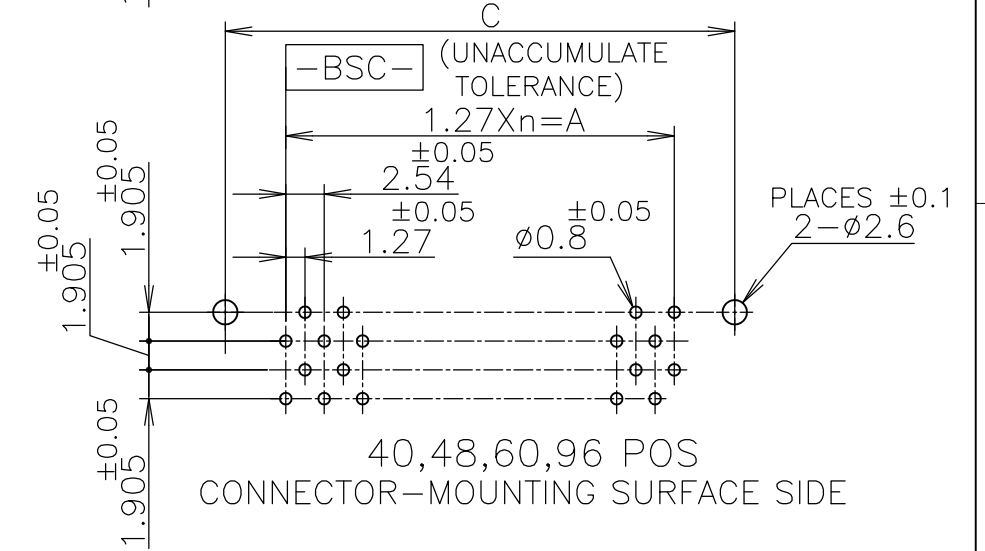
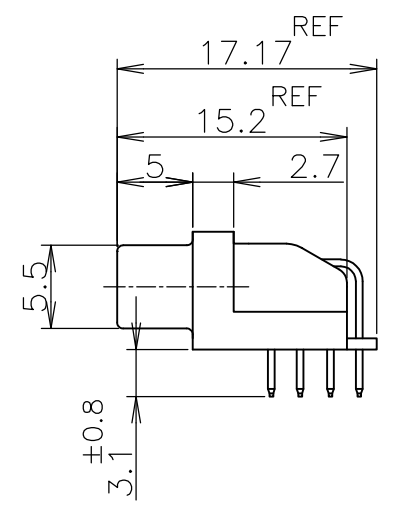
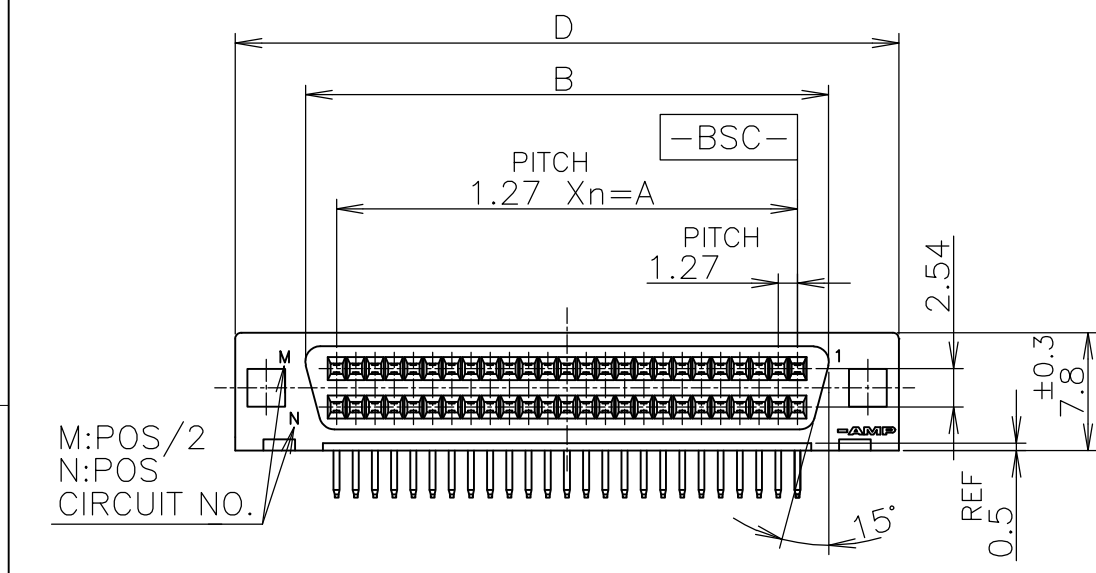
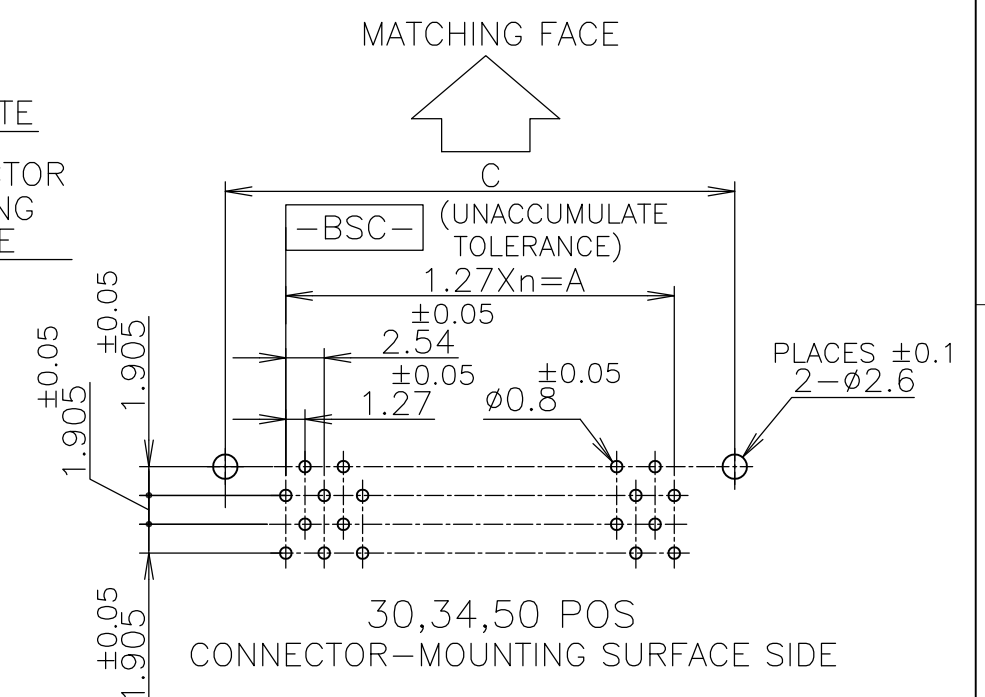
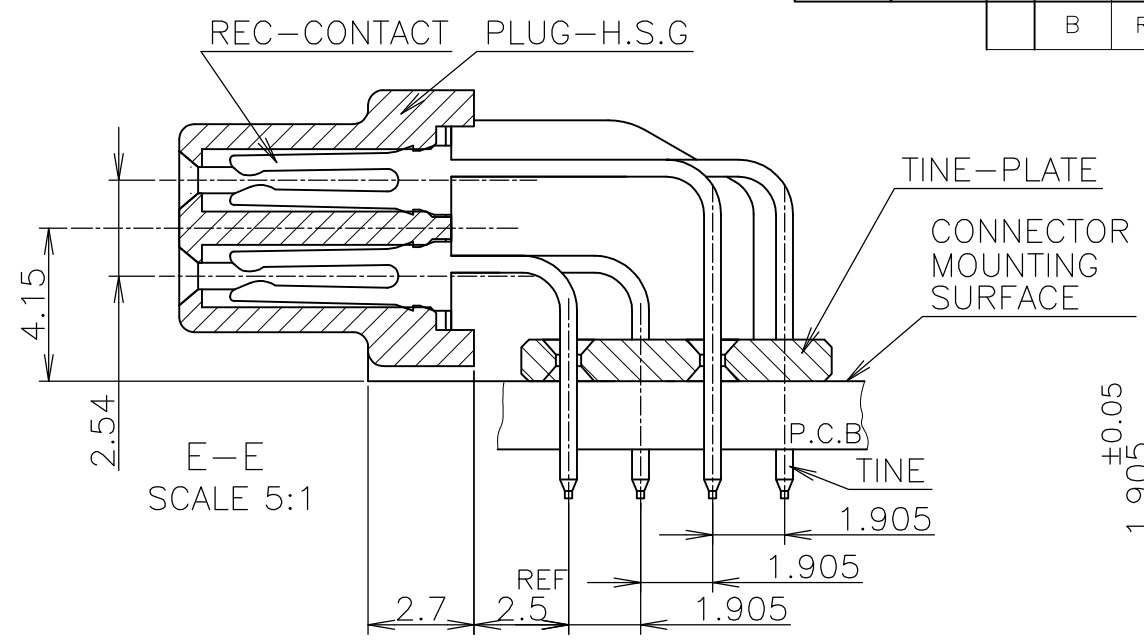
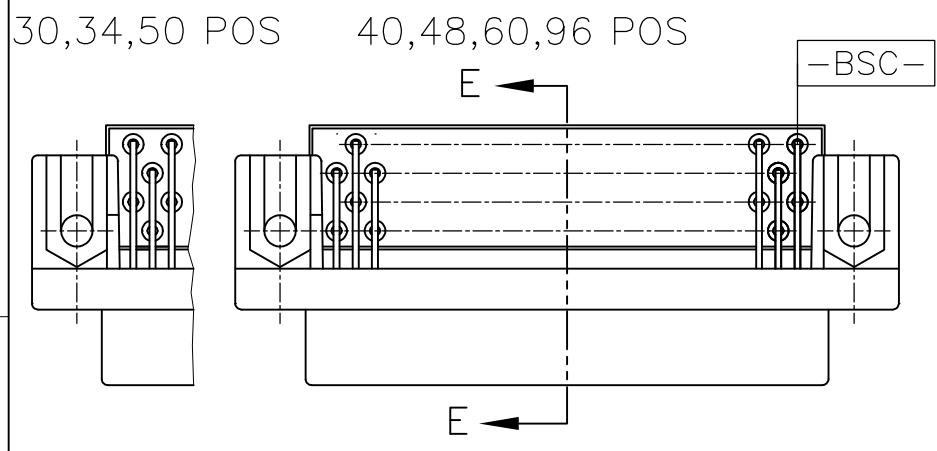


THIS DRAWING IS UNPUBLISHED. RELEASED FOR PUBLICATION AUG. 2004.
 © COPYRIGHT 2004 By - ALL RIGHTS RESERVED.

LOC	DIST	REVISIONS			
P	LTR	DESCRIPTION	DATE	DWN	APVD
J		B	REVISED PER ECO-14-006391	24MAY2014	AP SB



- USE A P.C.B WHOSE SURFACES ARE TREATED WITH SOLDER RESIST.
 - SHOW P.C.B LAYOUT FROM THE CONNECTOR-MOUNTING SURFACE SIDE.
 - NUMBER THE CONTACTS IN THE P.C.B OR CONNECTOR CONSECUTIVELY FROM THE -BSC- SIDE.
 - WHEN SCREWING THE CONNECTOR TO THE P.C.B, USE M2 SCREW, NUT AND WASHERS.
- △ HOUSING MATERIAL : GLASS 20% FILLED P.B.T RESIN (UL94-V0). COLOR:BLACK
 △ CONTACT MATERIAL : PHOSPHOR BRONZE.
 △ FINISH : NICKEL 0.00127 MIN THK OVERALL SELECTIVE GOLD 0.0002 MIN THK ON CONTACT AREA AND TIN 0.001MIN THK ON TINE AREA.
 △ OBSOLETE PARTS: OBSOLETE CIS STREAMLINING PER D.RENAUD/D.SINISI

OBSOLETE	-8	96	47	59.61	63.86	67.09	73.09
NOT RELEASED	-6	48	23	29.21	33.38	36.61	42.61
△8	-5	34	16	20.32	24.49	27.72	33.72
△8	-4	60	29	36.83	41.00	44.23	50.23
△8	-3	50	24	30.48	34.65	37.88	43.88
OBSOLETE	-2	40	19	24.13	28.30	31.53	37.53
△8	5173277-1	30	14	17.78	21.95	25.18	31.18
	P/N	POS	n	A	B	C	D

LEAD FREE

GENERAL TOLERANCE

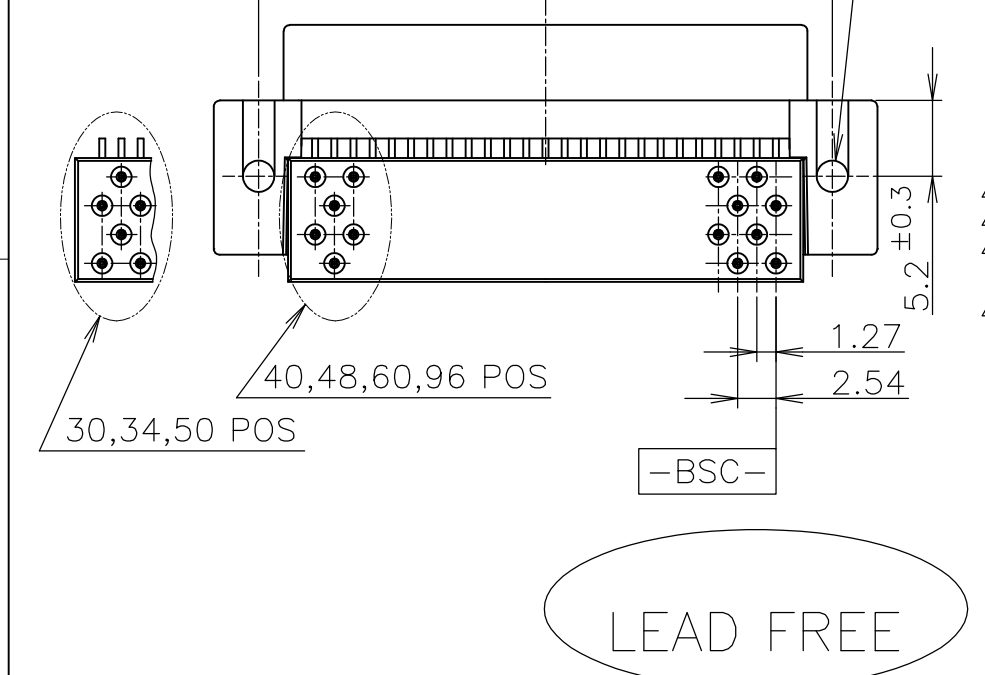
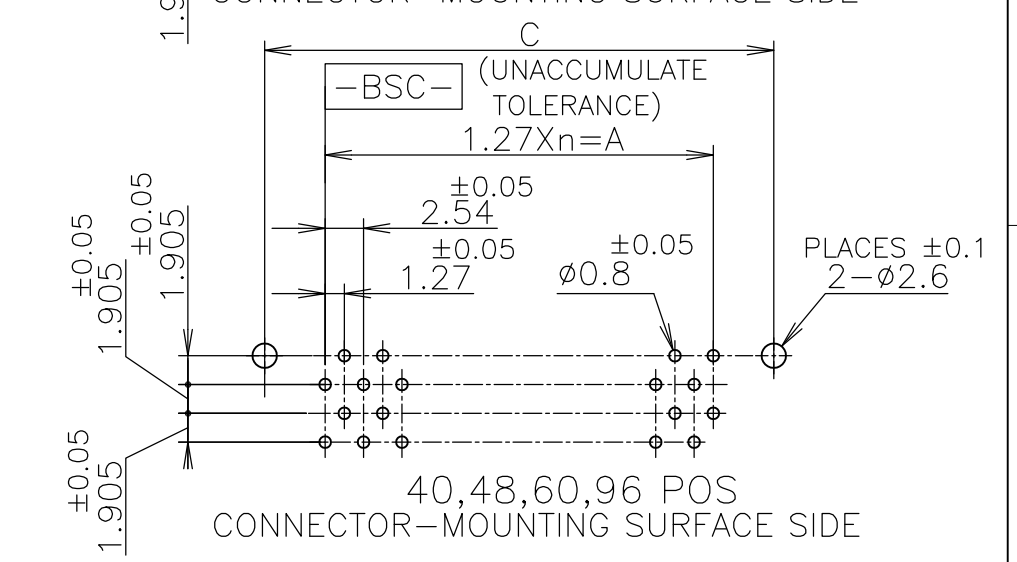
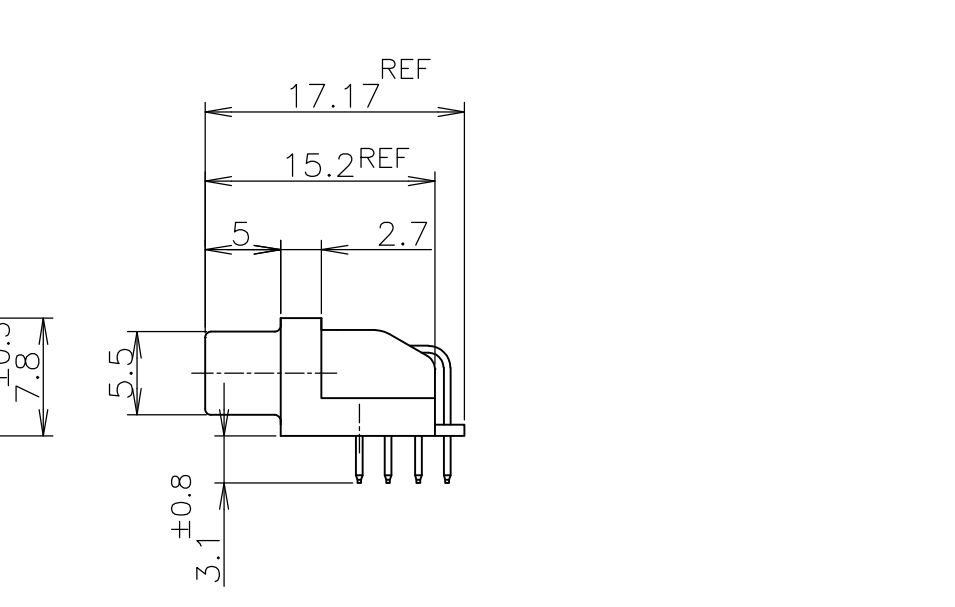
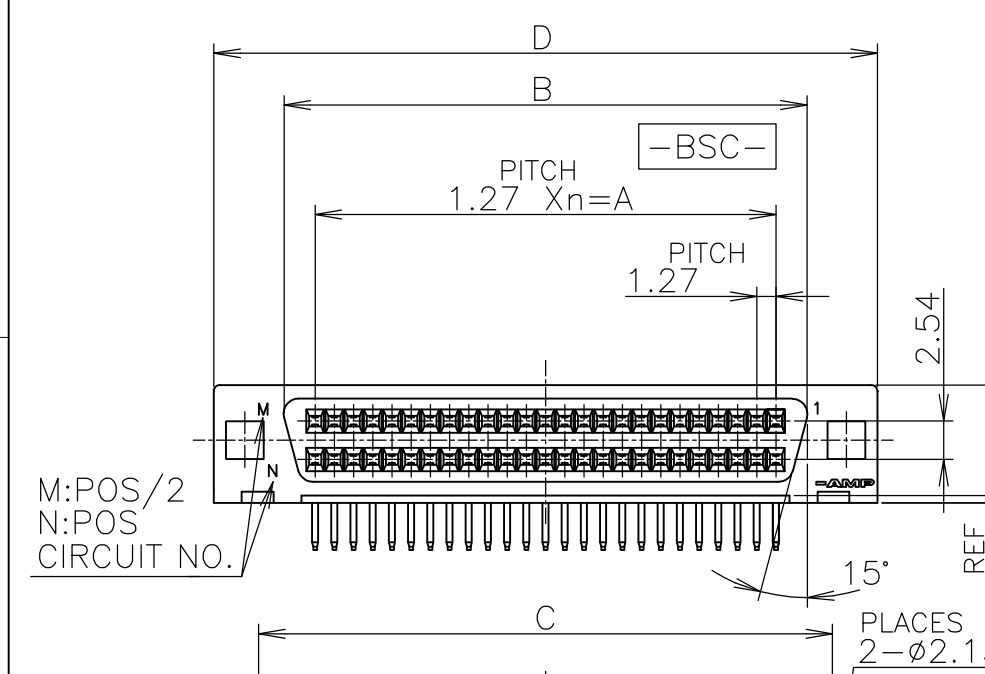
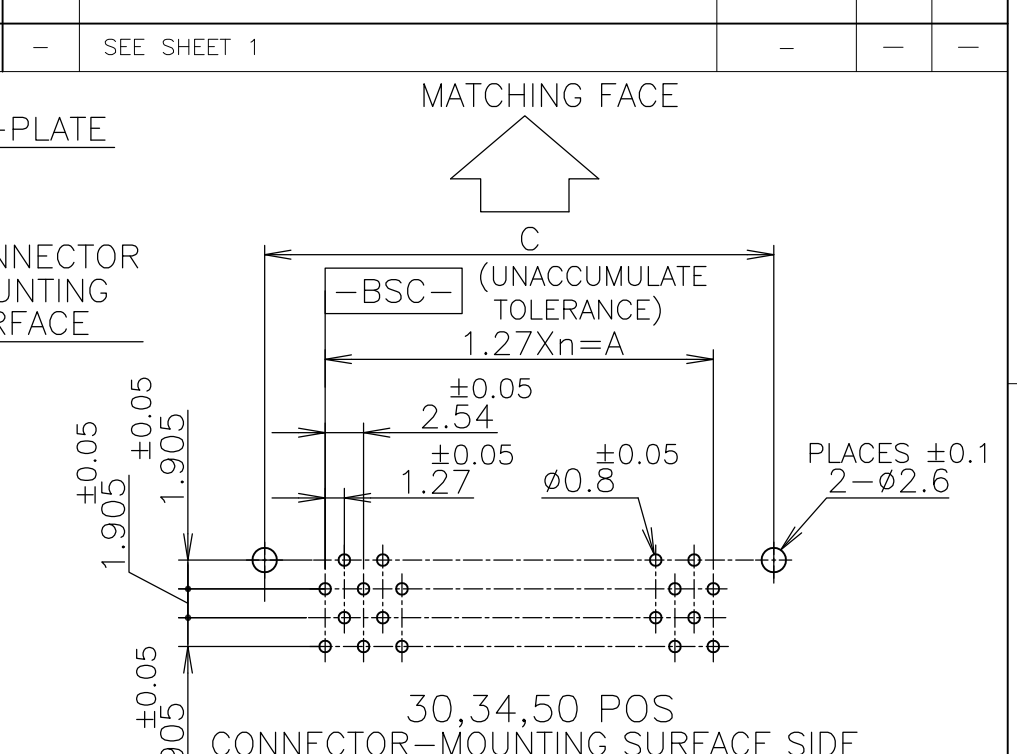
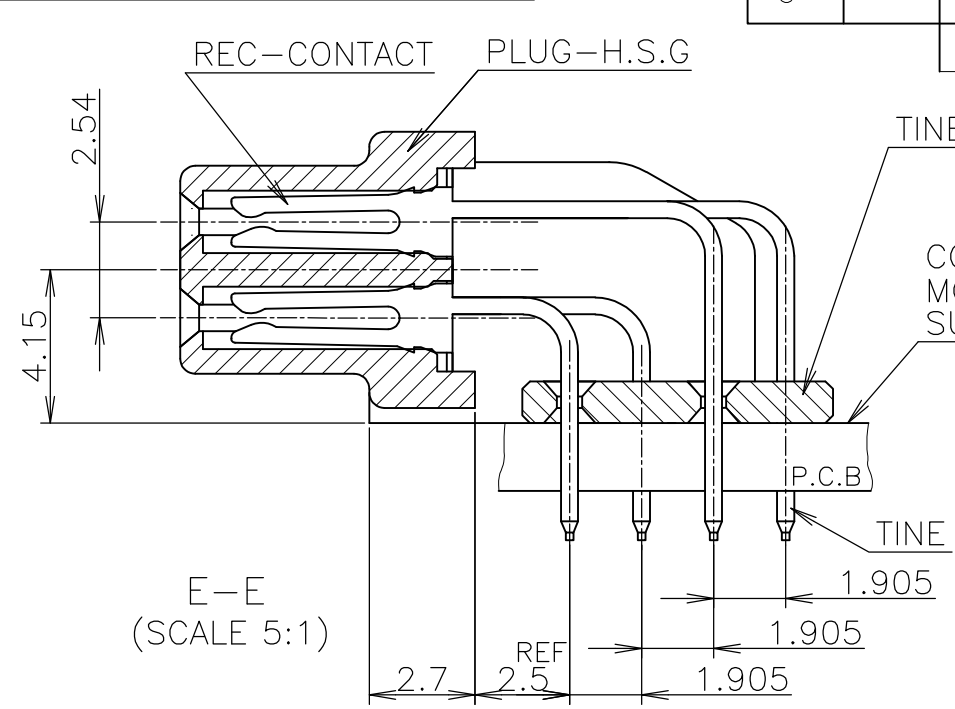
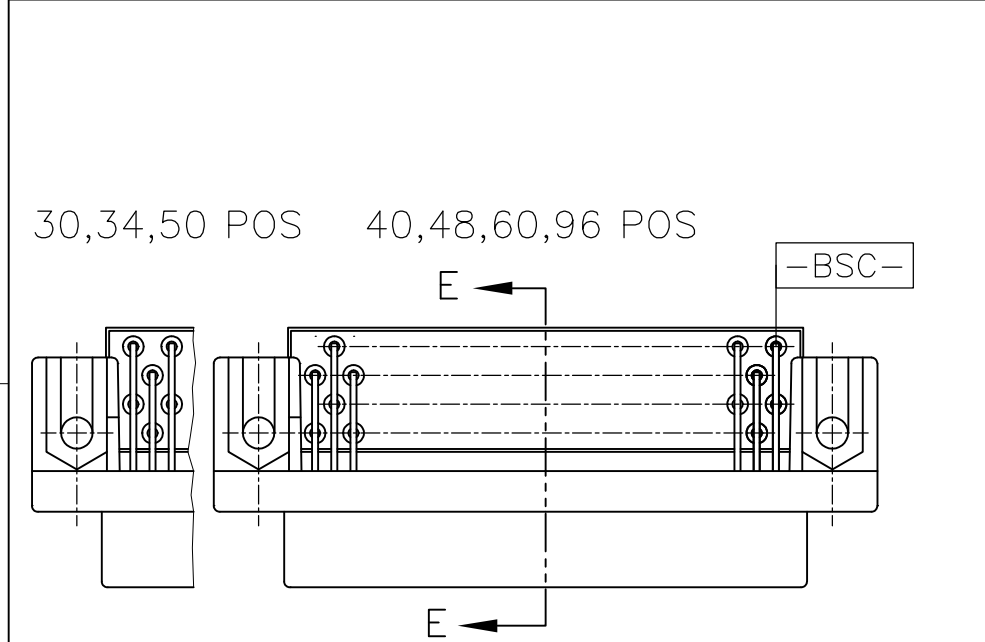
10 ≥ : ±0.2
30 ≥ > 10: ±0.25
100 ≥ > 30: ±0.3
ANGLES: ±3°

THIS DRAWING IS A CONTROLLED DOCUMENT.

DIMENSIONS:	TOLERANCES UNLESS OTHERWISE SPECIFIED:
mm	
0 PLC	±
1 PLC	±
2 PLC	±
3 PLC	±
4 PLC	±
ANGLES	±
FINISH	△

MATERIAL 参照 △△

DWN	COREL WANG	20AUG04		TE Connectivity
CHK	STEVEN YAO	23AUG04		
APVD	I.ENOMOTO	23AUG04		
NAME	PLUG ASSY HORIZONTAL			
PRODUCT SPEC	108-60036		AMPLIMITE .050 SERIES I B-TO-B CONN.	
APPLICATION SPEC	SIZE	CAGE CODE	DRAWING NO	RESTRICTED TO
WEIGHT	A3	00779	C-5173277	
CUSTOMER DRAWING	SCALE	SHEET	REV	
	2:1	1 OF 2	B	



- 1 USE A P.C.B. WHOSE SURFACES ARE TREATED WITH SOLDER RESIST. SHOW P.C.B LAYOUT FROM THE CONNECTOR-MOUNTING SURFACE SIDE. NUMBER THE CONTACTS IN THE P.C.B OR CONNECTOR CONSECUTIVELY FROM THE -BSC- SIDE.
- 2
- 3
- 4 WHEN SCREWING THE CONNECTOR TO THE P.C.B, USE M2 SCREW, NUT AND WASHERS.
- △ HOUSING MATERIAL : GLASS 20% FILLED P.B.T RESIN (UL94-V0). COLOR:BLACK
- △ CONTACT MATERIAL : PHOSPHOR BRONZE.
- △ FINISH : NICKEL 0.00127 MIN THK OVERALL SELECTIVE GOLD 0.00076 MIN THK ON CONTACT AREA AND TIN 0.001MIN THK ON TINE AREA.
- △ OBSOLETE PARTS: OBSOLETE CIS STREAMLINING PER D.RENAUD/D.SINISI

OBSOLETE	6	8	96	47	59.61	63.86	67.09	73.09	
OBSOLETE	6	6	48	23	29.21	33.38	36.61	42.61	
	6	5	34	16	20.32	24.49	27.72	33.72	
	6	4	60	29	36.83	41.00	44.23	50.23	
OBSOLETE	6	3	50	24	30.48	34.65	37.88	43.88	
	6	2	40	19	24.13	28.30	31.53	37.53	
OBSOLETE	6	1	30	14	17.78	21.95	25.18	31.18	
			P/N	POS	n	A	B	C	D

LEAD FREE

THIS DRAWING IS A CONTROLLED DOCUMENT.

DIMENSIONS:	TOLERANCES UNLESS OTHERWISE SPECIFIED:
mm	0 PLC ± -
	1 PLC ± -
	2 PLC ± -
	3 PLC ± -
	4 PLC ± -
	ANGLES ± -
MATERIAL	FINISH
参照 △△	参照 - △

GENERAL TOLERANCE

10 ≥ : ±0.2
30 ≥ > 10: ±0.25
100 ≥ > 30: ±0.3
ANGLES: ±3°

STE TE Connectivity

PLUG ASSY HORIZONTAL
AMPLIMITE .050 SERIES I B-TO-B CONN.

SIZE	CAGE CODE	DRAWING NO	RESTRICTED TO
A3	00779	C-5173277	-

CUSTOMER DRAWING SCALE 2:1 SHEET 2 OF 2 REV B