

NOTES:

1. MATERIAL:

- CAGE: NICKEL SILVER, 0.25 THICK
- EMI STRAPS: PHOS-BRONZE, 0.10 THICK
- LIGHT PIPES: POLYCARBONATE, 94V-0 (OPTIONAL)
- CONNECTOR HOUSING: HIGH PERFORMANCE THERMOPLASTIC, 94V-0
- TERMINALS: HIGH PERFORMANCE COPPER ALLOY, 0.18 THICK

2. FINISH:

- SPRING FINGERS: 100µm NICKEL OVERALL
- TERMINALS: CONTACT AREA: 0.76µm MIN GOLD OVER  
2.5µm MIN NICKEL.
- COMPLIANT AREA: 0.76-1.52µm MATTE TIN  
OVER 1.27µm MIN NICKEL.

3. ALL SURFACES TO BE CLASS 'C' OR BETTER PER MOLEX COSMETIC SPECIFICATION PS-45499-002.

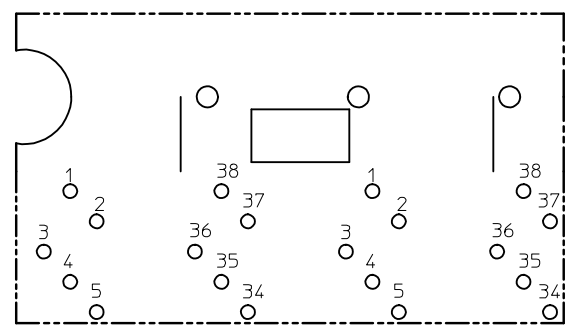
- 4. REFER TO PK-76871-9001 FOR ALL PACKAGING SPECIFICATIONS.
- 5. CONNECTOR INTENDED TO MATE WITH PLUG CABLE SERIES 74757 AND 74758.

- 6. DATE CODE LOCATION SHOWN, DATE CODE FORMAT: DDD Y  
DDD = DAY OF THE YEAR, Y = YEAR.

PORT SIZE	PART NUMBER	DIM A	DIM B	DIM C
2X1	171565-1005	19.3	21.4	19.0
2X2	171565-0005	38.3	40.4	38.0
2X3	171565-3005	57.3	59.4	57.0

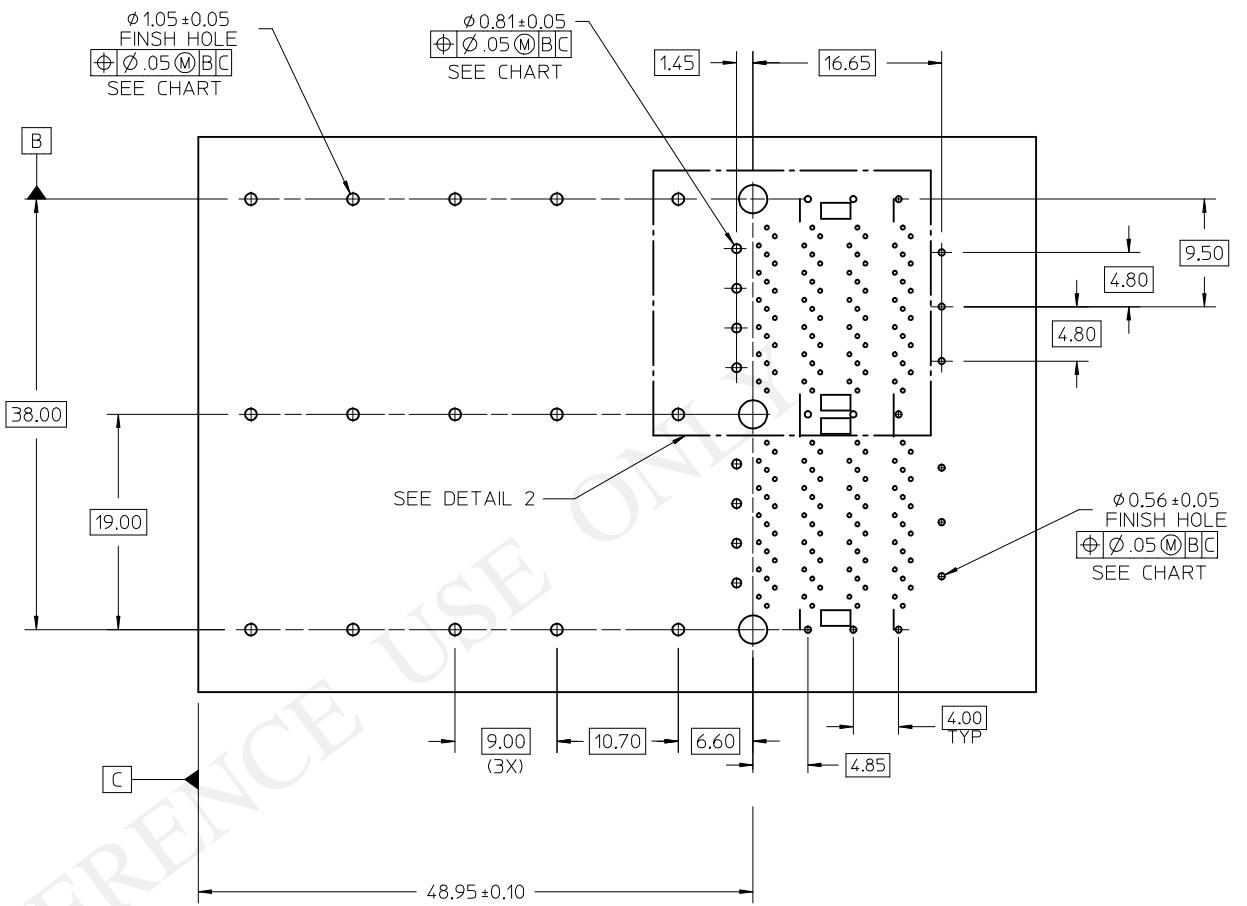
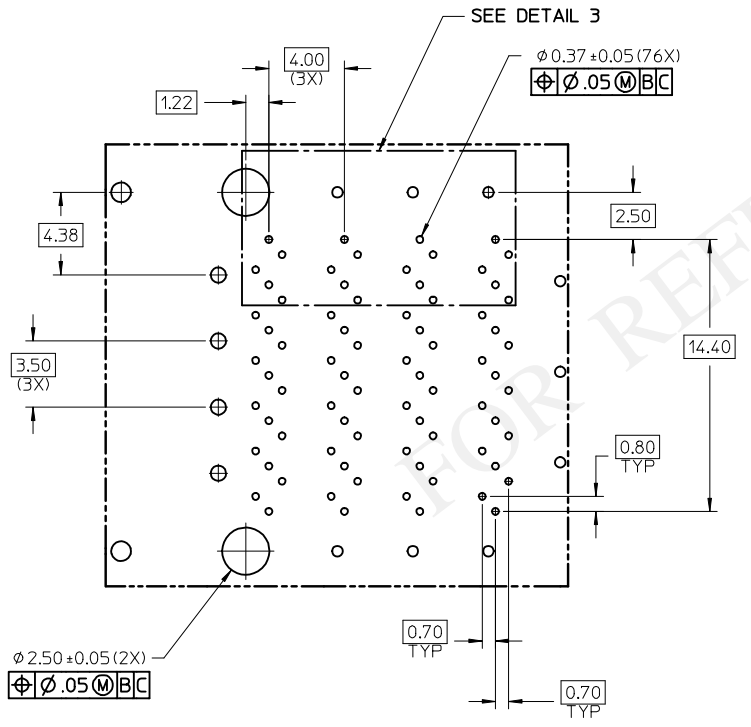
INITIAL RELEASE EC NO: UCP2015-2161 DRW:HAVERY 2014/11/21 CHKD: APPR:HAVERY 2014/11/21 REV:	QUALITY SYMBOLS	GENERAL TOLERANCES (UNLESS SPECIFIED)	DIMENSION STYLE <b>MM ONLY</b>	SCALE <b>2:1</b>	DESIGN UNITS <b>METRIC</b>	THIRD ANGLE PROJECTION
	▽=0	4 PLACES ± --- ± ---	DRAWN BY DATE HAVERY 2014/11/04	TITLE <b>ZQSFP 2X2 4 INTERNAL LIGHT PIPES WITH EMI SPRING FINGERS</b> <b>molex</b>		
	▽=0	3 PLACES ± --- ± ---	CHECKED BY DATE			
	▽=0	2 PLACES ±0.13 ± ---	APPROVED BY DATE HAVERY 2014/11/05	MATERIAL NO.	DOCUMENT NO.	SHEET NO.
	1 PLACE ±0.25 ± ---	DRAFT WHERE APPLICABLE MUST REMAIN WITHIN DIMENSIONS	SEE CHART	SD-171565-0005	1 OF 3	
	0 PLACE ± --- ± ---		SIZE C	THIS DRAWING CONTAINS INFORMATION THAT IS PROPRIETARY TO MOLEX INCORPORATED AND SHOULD NOT BE USED WITHOUT WRITTEN PERMISSION		

FOR REVIEW USE

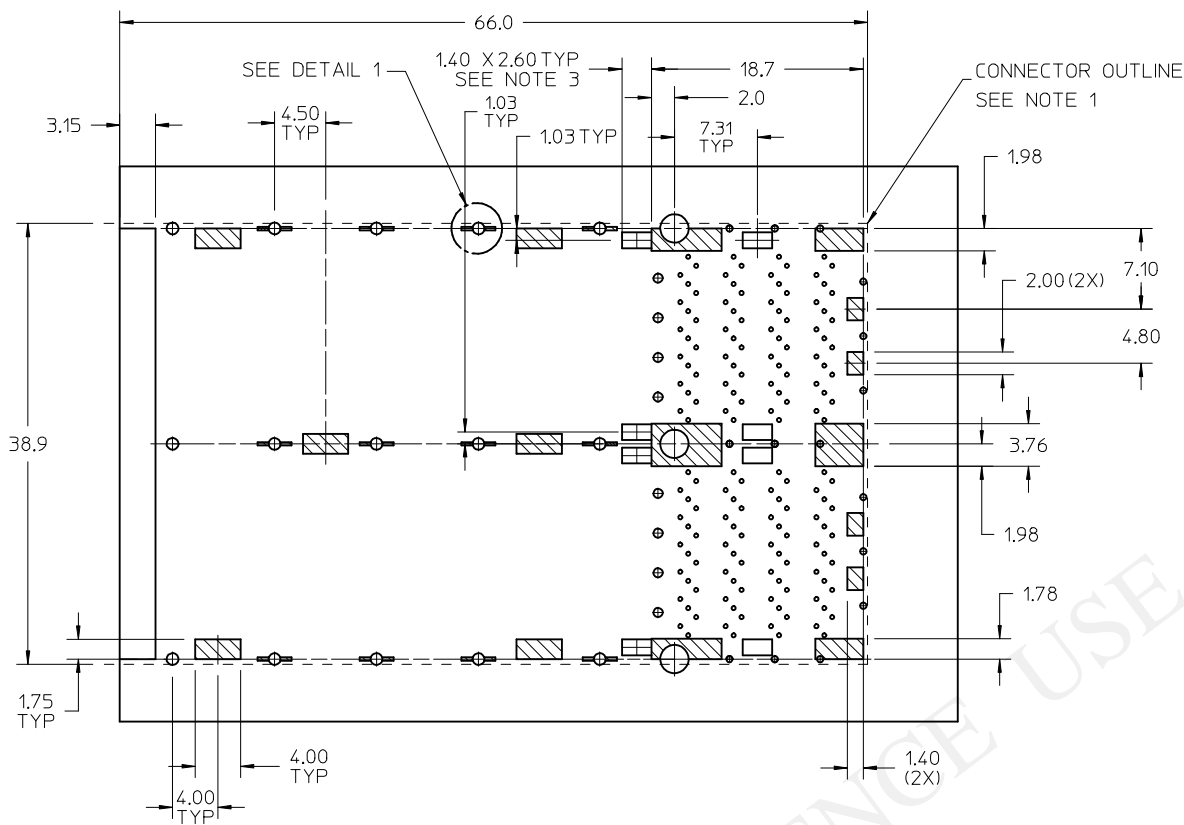


LOWER PORT      UPPER PORT

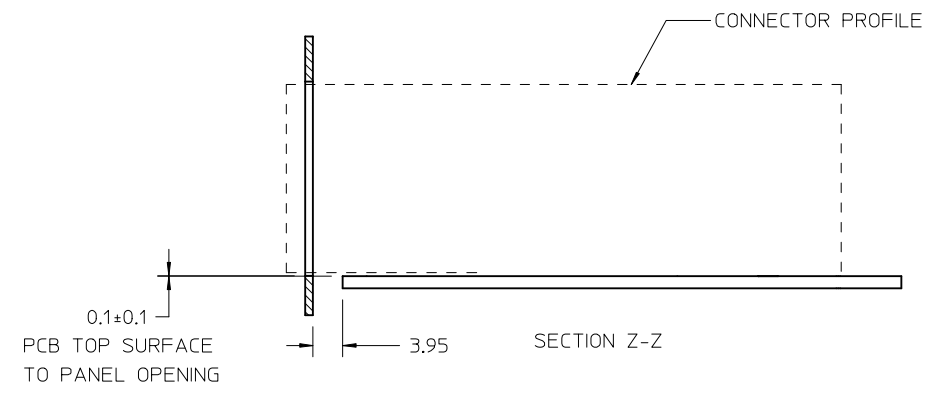
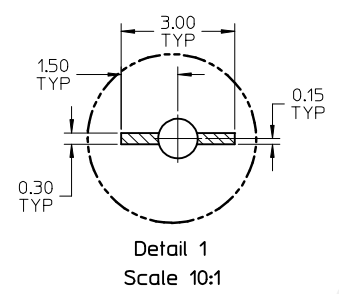
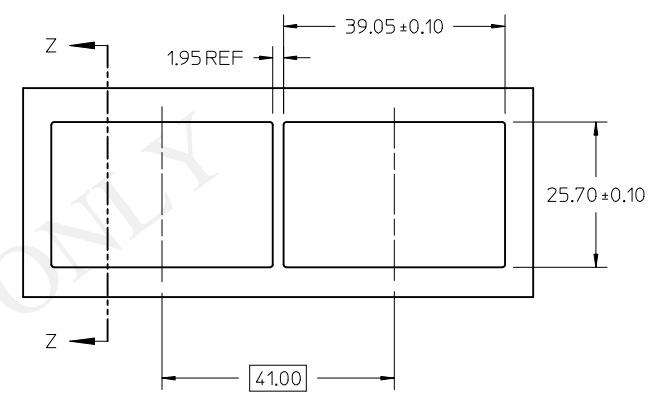
DETAIL 3  
PIN ASSIGNMENTS



SEE SHEET 1 EC NO: UCP2015-2161 DRAWN: HAVERY 2014/11/21 CHKD: HAVERY APPR: HAVERY 2014/11/21	QUALITY SYMBOLS ▽=0 ▽=0 ▽=0	GENERAL TOLERANCES (UNLESS SPECIFIED)		DIMENSION STYLE <b>MM ONLY</b>	SCALE <b>2:1</b>	DESIGN UNITS <b>METRIC</b>	THIRD ANGLE PROJECTION
		4 PLACES ± ---	INCH	DRAWN BY HAVERY	DATE 2014/11/04	TITLE <b>ZQSFP 2X2 4 INTERNAL LIGHT PIPES WITH EMI SPRING FINGERS</b>	
		3 PLACES ± ---		CHECKED BY	DATE		
		2 PLACES ± 0.13		APPROVED BY HAVERY	DATE 2014/11/05		
		1 PLACE ± 0.25		MATERIAL NO. <b>SEE CHART</b>		DOCUMENT NO. <b>SD-171565-0005</b>	SHEET NO. <b>2 OF 3</b>
		0 PLACE ± ---		DRAFT WHERE APPLICABLE MUST REMAIN WITHIN DIMENSIONS			
			ANGULAR ±1/2°	THIS DRAWING CONTAINS INFORMATION THAT IS PROPRIETARY TO MOLEX INCORPORATED AND SHOULD NOT BE USED WITHOUT WRITTEN PERMISSION			

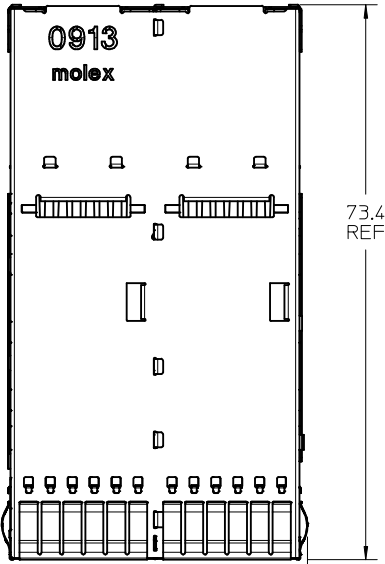
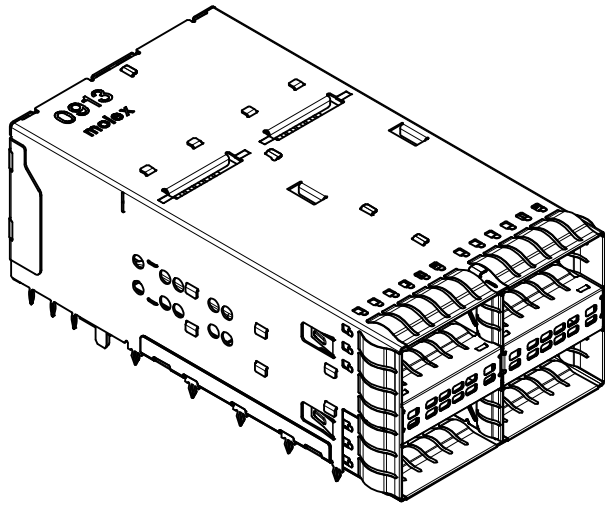


PANEL OPENING AND CONNECTOR SPACING RECOMMENDATIONS



- NOTES:
1. THE ENTIRE AREA UNDER THE CONNECTOR IS A COMPONENT KEEP-OUT ZONE.
  2. CROSS HATCHED AREAS INDICATE PLACES WHERE THE PLASTIC HOUSING AND METAL CAGE MAY BE IN CONTACT WITH THE PCB SURFACE. THESE AREAS ARE THE TRACE KEEP-OUT ZONES.
  3. THESE 2 RECTANGULAR ZONES ARE FOR LED PLACEMENT. LED HEIGHT SHOULD NOT EXCEED 0.8 AND PLACEMENT SHOULD BE CENTERED WITHIN THIS LED KEEP-IN ZONE.
  4. RECOMMENDED LED CHIP PACKAGE SIZE IS 0805.

SEE SHEET 1 EC NO: UCP2015-2161 DRW: HAVERY 2014/11/21 CHKD: APPR: HAVERY 2014/11/21	QUALITY SYMBOLS	GENERAL TOLERANCES (UNLESS SPECIFIED)		DIMENSION STYLE	SCALE	DESIGN UNITS	THIRD ANGLE PROJECTION
	▽=0	mm	INCH	MM ONLY	2:1	METRIC	
	▽=0	4 PLACES ± --- ± ---		DRAWN BY DATE	TITLE		
	▽=0	3 PLACES ± --- ± ---		HAVERY 2014/11/04	ZQSFP 2X2 4 INTERNAL LIGHT PIPES WITH EMI SPRING FINGERS		
		2 PLACES ± 0.13 ± ---		CHECKED BY DATE	molex		
		1 PLACE ± 0.25 ± ---		APPROVED BY DATE	DOCUMENT NO.		
		0 PLACE ± --- ± ---		HAVERY 2014/11/05	SD-171565-0005		
			ANGULAR ±1/2°	MATERIAL NO.	SHEET NO.		
			DRAFT WHERE APPLICABLE MUST REMAIN WITHIN DIMENSIONS	SEE CHART	3 OF 3		
				SIZE	THIS DRAWING CONTAINS INFORMATION THAT IS PROPRIETARY TO MOLEX INCORPORATED AND SHOULD NOT BE USED WITHOUT WRITTEN PERMISSION		



NOTES:

1. MATERIAL:

CAGE: NICKEL SILVER, 0.25 THICK  
EMI STRAPS: PHOS-BRONZE, 0.10 THICK  
LIGHT PIPES: POLYCARBONATE, 94V-0 (OPTIONAL)  
CONNECTOR HOUSING: HIGH PERFORMANCE THERMOPLASTIC, 94V-0  
TERMINALS: HIGH PERFORMANCE COPPER ALLOY, 0.18 THICK

2. FINISH:

SPRING FINGERS: 100µm NICKEL OVERALL  
TERMINALS: CONTACT AREA: 0.76µm MIN GOLD OVER  
2.5µm MIN NICKEL.  
COMPLIANT AREA: 0.76-1.52µm MATTE TIN  
OVER 1.27µm MIN NICKEL.

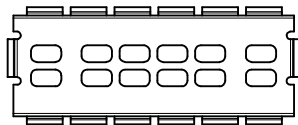
3. ALL SURFACES TO BE CLASS 'C' OR BETTER PER MOLEX COSMETIC SPECIFICATION PS-45499-002.

4. REFER TO PK-76871-9001 FOR ALL PACKAGING SPECIFICATIONS.

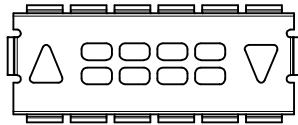
5. CONNECTOR INTENDED TO MATE WITH PLUG CABLE SERIES 74757 AND 74758.

6. DATE CODE LOCATION SHOWN, DATE CODE FORMAT: DDD Y  
DDD = DAY OF THE YEAR, Y = YEAR.

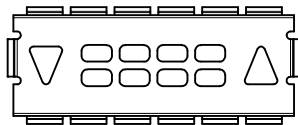
FRONT PLATE OPTIONS



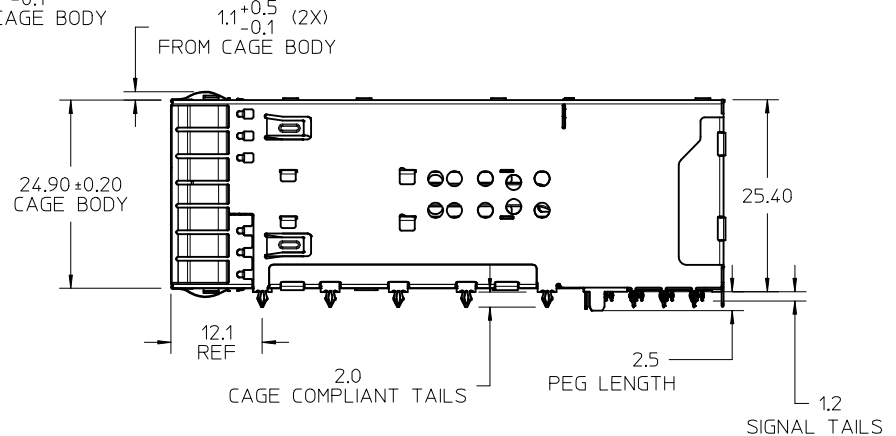
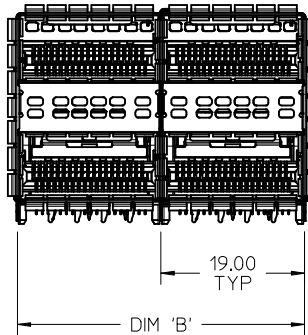
P/N 171722-\*001  
AIRFLOW ONLY  
NO LIGHTPIPE



P/N 171722-\*002  
UP/DOWN LIGHTPIPE INDICATOR



P/N 171722-\*003  
DOWN/UP LIGHTPIPE INDICATOR

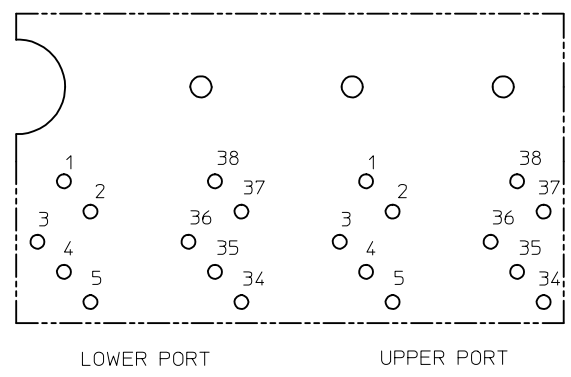


PORT SIZE	PART NUMBER	DIM 'A'	DIM 'B'
2X1	171722-100*	19.25	19.00
2X2	171722-200*	38.25	38.00
2X3	171722-300*	57.25	57.00

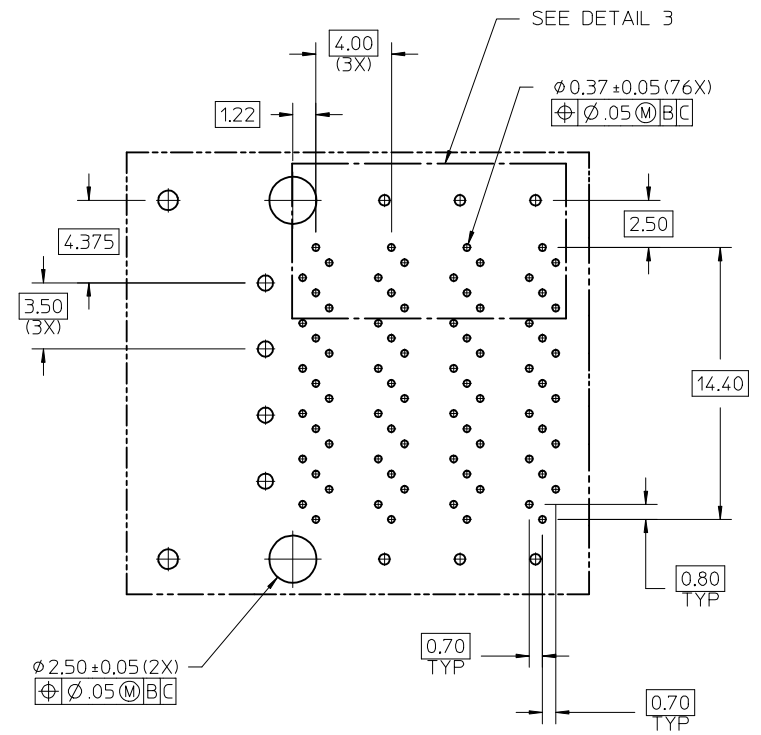
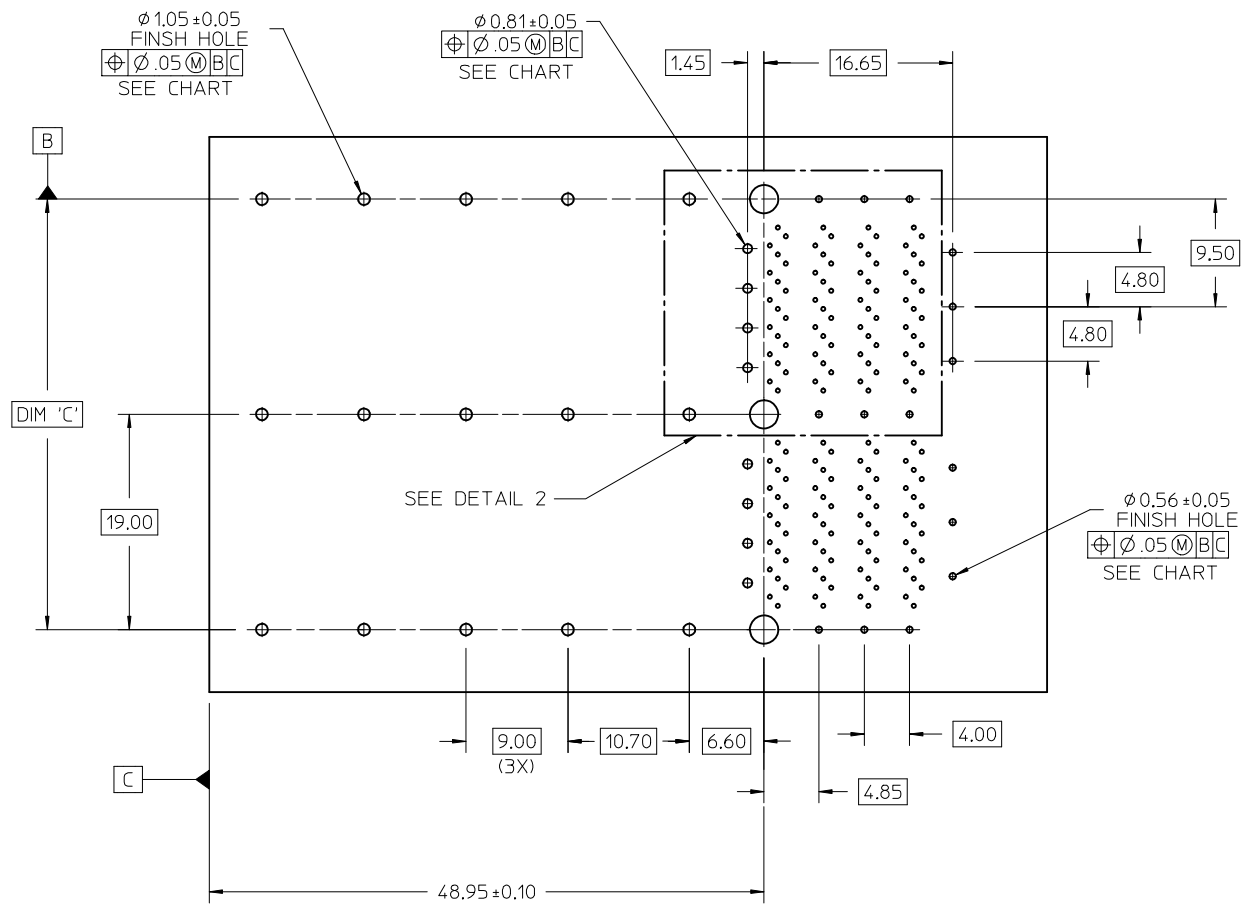
\* - DESIGNATES FRONT PLATE OPTIONS

ADD SPRING HEIGHT EC NO: UCP2015-2796 DRWN: JACHL/C 2015/10/01 CHKD: MBANAKIS 2015/10/02 APPR: MBANAKIS 2015/10/02	QUALITY SYMBOLS 	GENERAL TOLERANCES (UNLESS SPECIFIED)		DIMENSION STYLE <b>MM ONLY</b>	SCALE <b>2:1</b>	DESIGN UNITS <b>METRIC</b>	THIRD ANGLE PROJECTION
		4 PLACES ± --- ± --- 3 PLACES ± --- ± --- 2 PLACES ± 0.13 ± --- 1 PLACE ± 0.25 ± --- 0 PLACE ± --- ± ---	mm INCH	DRAWN BY ARIZV101	DATE 2012/08/09	TITLE <b>ZQSFP+ STACKED CONNECTOR WITH EMI SPRING FINGER</b>	
		ANGULAR ±1/2°		CHECKED BY MBANAKIS	DATE 2012/08/30		
		DRAFT WHERE APPLICABLE MUST REMAIN WITHIN DIMENSIONS		MATERIAL NO. <b>SEE CHART</b>	DOCUMENT NO. <b>SD-171722-2000</b>	SHEET NO. <b>1 OF 3</b>	

THIS DRAWING CONTAINS INFORMATION THAT IS PROPRIETARY TO MOLEX INCORPORATED AND SHOULD NOT BE USED WITHOUT WRITTEN PERMISSION



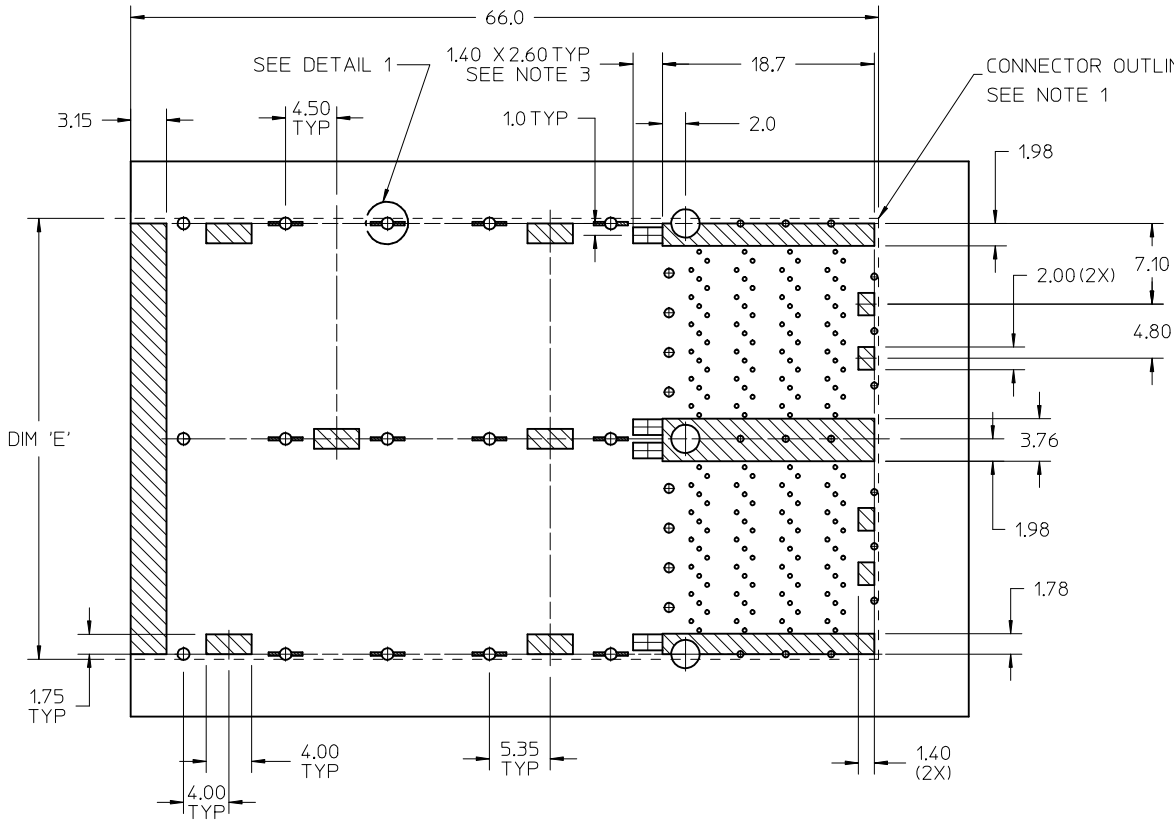
DETAIL 3  
PIN ASSIGNMENTS



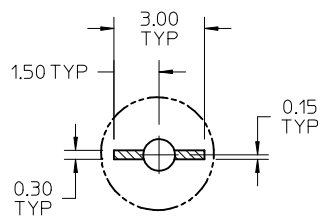
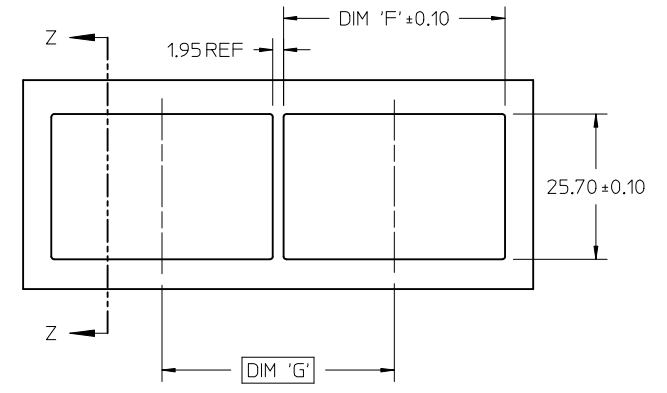
DETAIL 2  
SCALE 5:1

PORT SIZE	DIM 'C'	1.05Ø QUANTITY	0.56Ø QUANTITY	0.81Ø QUANTITY
2X1	19.00	10	9	4
2X2	38.00	15	15	8
2X3	57.00	20	21	12

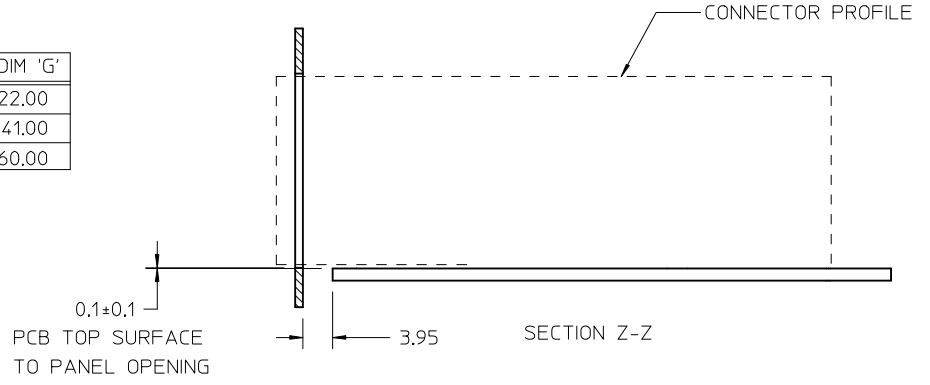
<b>SEE SHEET 1</b> EC NO: UCP2015-2796 DRWN: KACHLIC 2015/10/01 CHKD: MBANAKIS 2015/10/02 APPR: MBANAKIS	QUALITY SYMBOLS	GENERAL TOLERANCES (UNLESS SPECIFIED)	DIMENSION STYLE <b>MM ONLY</b>	SCALE <b>2:1</b>	DESIGN UNITS <b>METRIC</b>	THIRD ANGLE PROJECTION
	▽=0	mm INCH	DRAWN BY DATE ARIZV101 2012/08/09	TITLE <b>ZQSFP+ STACKED CONNECTOR WITH EMI SPRING FINGER</b>		<b>SD-171722-2000</b> SHEET NO. 2 OF 3
	▽=0	4 PLACES ± --- ± ---	CHECKED BY DATE	APPROVED BY DATE MBANAKIS 2012/08/30		
	▽=0	2 PLACES ± 0.13 ± ---	ANGULAR ± 1/2°	MATERIAL NO.	DOCUMENT NO.	
▽=0	1 PLACE ± 0.25 ± ---	DRAFT WHERE APPLICABLE MUST REMAIN WITHIN DIMENSIONS	SIZE <b>C</b>	<b>SEE CHART</b> THIS DRAWING CONTAINS INFORMATION THAT IS PROPRIETARY TO MOLEX INCORPORATED AND SHOULD NOT BE USED WITHOUT WRITTEN PERMISSION		



PANEL OPENING AND CONNECTOR SPACING RECOMMENDATIONS



PORT SIZE	DIM 'E'	DIM 'F'	DIM 'G'
2X1	19.9	20.05	22.00
2X2	38.9	39.05	41.00
2X3	57.9	58.05	60.00



- NOTES:
1. THE ENTIRE AREA UNDER THE CONNECTOR IS A COMPONENT KEEP-OUT ZONE.
  2. CROSS HATCHED AREAS INDICATE PLACES WHERE THE PLASTIC HOUSING AND METAL CAGE MAY BE IN CONTACT WITH THE PCB SURFACE. THESE AREAS ARE THE TRACE KEEP-OUT ZONES.
  3. THESE 2 RECTANGULAR ZONES ARE FOR LED PLACEMENT. LED HEIGHT SHOULD NOT EXCEED 0.8 AND PLACEMENT SHOULD BE CENTERED WITHIN THIS LED KEEP-IN ZONE.
  4. RECOMMENDED LED CHIP PACKAGE SIZE IS 0805.

<b>SEE SHEET 1</b> EC NO: UCP2015-2796 DRWN: KACHLIC 2015/10/01 CHKD: APPR: MBANAKIS 2015/10/02	QUALITY SYMBOLS	GENERAL TOLERANCES (UNLESS SPECIFIED)	DIMENSION STYLE <b>MM ONLY</b>	SCALE <b>2:1</b>	DESIGN UNITS <b>METRIC</b>	THIRD ANGLE PROJECTION
	▽=0	mm INCH	DRAWN BY DATE ARIZV101 2012/08/09	TITLE <b>ZQSFP+ STACKED CONNECTOR WITH EMI SPRING FINGER</b>		
	▽=0	4 PLACES ± --- ± ---	CHECKED BY DATE			
	▽=0	3 PLACES ± --- ± ---	APPROVED BY DATE MBANAKIS 2012/08/30			
		2 PLACES ±0.13 ± ---	MATERIAL NO.	DOCUMENT NO.	SHEET NO.	
		1 PLACE ±0.25 ± ---	<b>SEE CHART</b>	<b>SD-171722-2000</b>	<b>3 OF 3</b>	
		0 PLACE ± --- ± ---	DRAFT WHERE APPLICABLE MUST REMAIN WITHIN DIMENSIONS THIS DRAWING CONTAINS INFORMATION THAT IS PROPRIETARY TO MOLEX INCORPORATED AND SHOULD NOT BE USED WITHOUT WRITTEN PERMISSION			