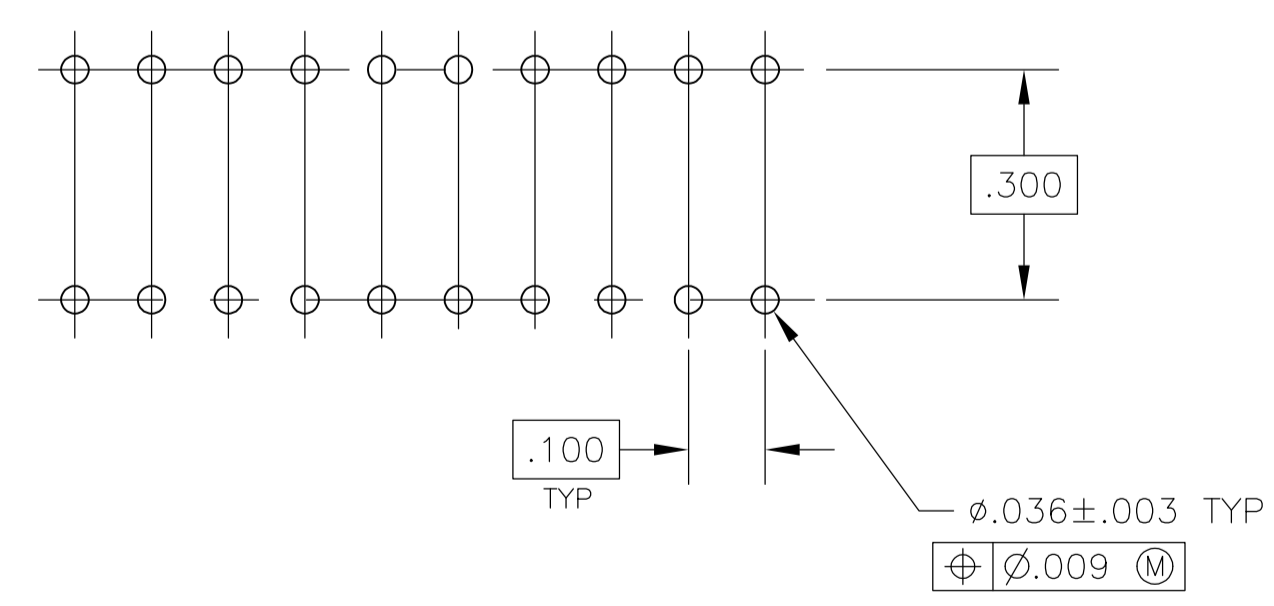


- RECEPTACLE ACCEPTS A .008-.014 THICK I.C. LEAD.
- TUBE LOADED.
- TWO .000015 MIN THK. GOLD STRIPES IN CONTACT AREA WITH TIN-LEAD (93/7) ON SOLDER LEGS, BALANCE OF CONTACT NICKEL PLATED.

SECTION A-A
SCALE 10:1



RECOMMENDED MOUNTING HOLE PATTERN
SCALE 4:1

OBSOLETE	△3	PHOS. BRZ	BROWN GLASS-FILLED PCT	2-382465-4
	TINNED	PHOS. BRZ	BLACK THERMO PLASTIC	2-382465-3
OBSOLETE	TINNED	BE.CU.	BROWN GLASS-FILLED PCT	2-382465-1
	CONTACT FINISH	CONTACT MAT'L	HOUSING MATERIAL	PART NO.

THIS DRAWING IS A CONTROLLED DOCUMENT.		DIN K.SALMON	DEMARCO	Tyco Electronics Corporation Harrisburg, PA 17105-3608	
DIMENSIONS: INCHES		CHK R.MILLER	DEMARCO	NAME R.PRIDDY	
TOLERANCES UNLESS OTHERWISE SPECIFIED:		PRODUCT SPEC 108-1066		APPLICATION SPEC 114-1052	
0 PLC ± -		SIZE A1		CAGE CODE 00779	
1 PLC ± -		DRAWING NO 382465		RESTRICTED TO	
2 PLC ± -		WEIGHT -		SCALE 5:1	
3 PLC ± .005		SHEET 1 OF 1		REV G1	
4 PLC ANGLES ± -		CUSTOMER DRAWING			