

SPECIFICATION FOR APPROVAL



TO: _____

PART NO.		REV.		DELTA SAMPLE ISSUE NO	
PART NAME	EMI FILTER		DELTA MODEL	10TYG9	
ORDER P/N.	10TYG9		SAMPLE ISSUE DATE		

1. ELECTRICAL CHARACTERISTICS:

1-1. VOLTAGE RATING 440VAC

1-2. CURRENT RATING

A. AT 440VAC 10 A RMS Max.

1-3. OPERATING FREQUENCY..... 50/60 Hz

1-4. LEAKAGE CURRENT: EACH LINE TO GROUND

A. @400VAC 50Hz 0.50 mA Max.

1-5. HIPOT RATING (FOR ONE MINUTE)

A. LINE TO GROUND 2000VAC

B. LINE TO LINE 1700VDC

1-6. TEMPERATURE RANGE: -25 TO +100 DEGREE C

1-7. MINIMUM INSERTION LOSS IN dB: (AT 50 OHM SYSTEM)

FREQ. MHz	.01	.05	.10	.15	.50	1.0	5.0	10	30
COM. MODE dB	5	5	10	10	20	20	20	30	25
DIF. MODE dB	0	5	10	10	20	25	25	30	30

1-8. SAFETY



REPORT BY	CHECKED BY	APPROVED BY	3	
			2	
			REV.1	

DELTA ELECTRONICS, INC.

186 RUEY KUANG ROAD, NEIHU. TAIPEI 114,
TAIWAN, R.O.C.
TEL:886-2-87972088 FAX:886-2-87972120

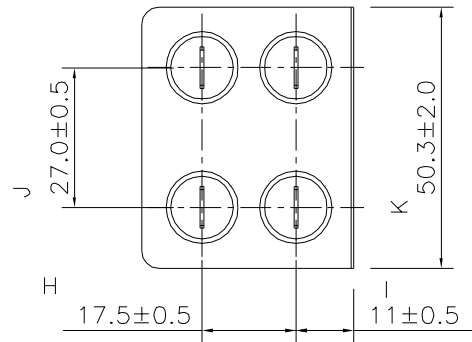
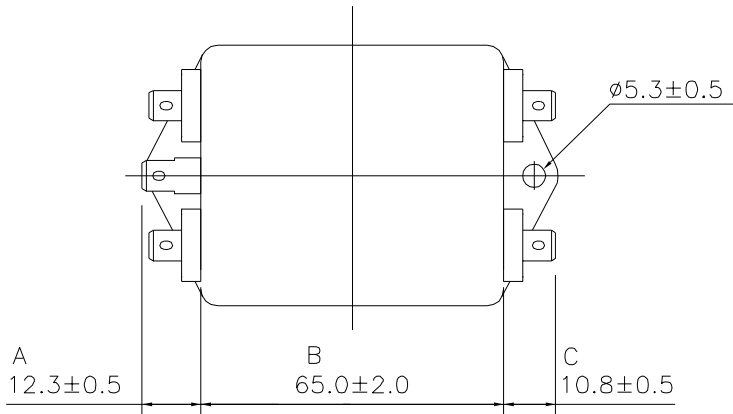
SPECIFICATION FOR APPROVAL



TO: _____

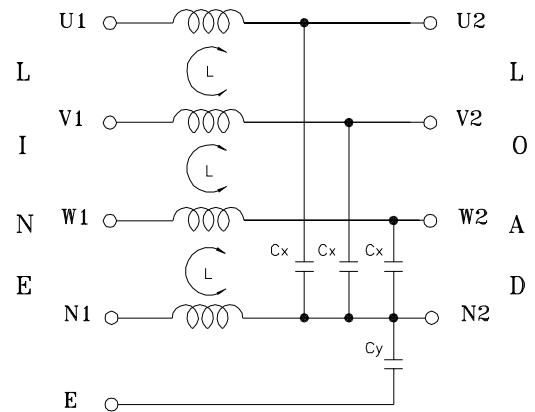
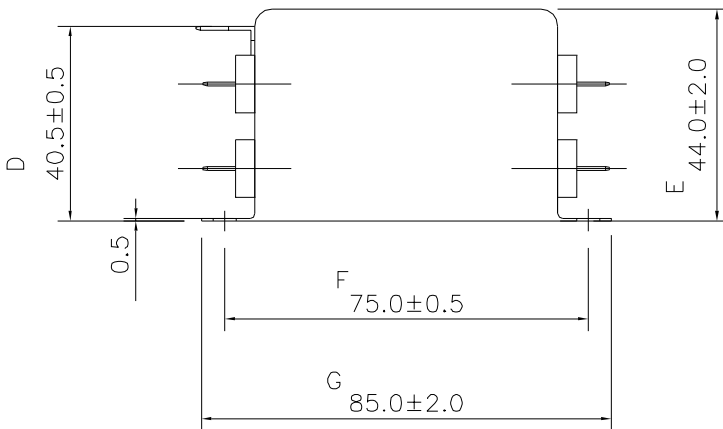
PART NO.		REV.		DELTA SAMPLE ISSUE NO	
PART NAME	EMI FILTER			DELTA MODEL	10TYG9
ORDER P/N.	10TYG9			SAMPLE ISSUE DATE	

2. PHYSICAL DIMENSIONS:



UNIT: mm

3. SCHEMATIC:



L: 0.3mH
 Cx: 0.1uF
 Cy: 4700pF

REPORT BY	CHECKED BY	APPROVED BY	UNLESS OTHERWISE SPECIFIED DIMENSION TOLERANCE DCEIMALS .X± .XX± ANGLES±		
			REV.		