

PART NAME: BALL KNOB

SCALE: 1 : 1

DATE: 1/8/97

DR. BY HD

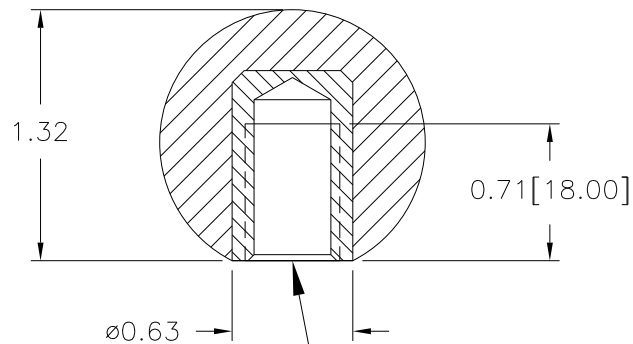
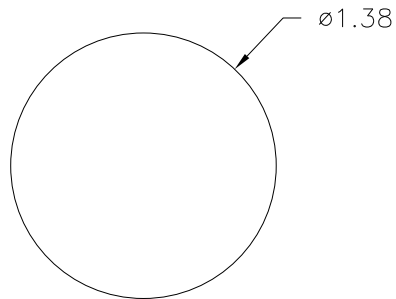


DESIGNERS & MANUFACTURERS OF KNOBS, HANDLES, CASES & CUSTOM PLASTIC COMPONENTS

P/N 0033AK

THIS DRAWING IS THE PROPERTY OF DAVIES MOLDING COMPANY, IS SUBMITTED SOLELY AS A DESIGN OR ENGINEERING PROJECT. WE ACCEPT NO RESPONSIBILITY WHATSOEVER FOR THE PRACTICAL APPLICATION OF THE PIECES MADE TO THIS DESIGN.

M ^{NO.}	3220
CAVITY	0033
PLUNGER	0033
PINS	0033-AK
SHIM	???
INSERT	I2019



M12 X 1.75 - 6H THREADED
I2019, H.H. BRASS

MATERIAL: G.P. PHENOLIC (B11)
COLOR: BLACK

TOLERANCES: UNLESS OTHERWISE SPECIFIED	DO NOT SCALE DRAWING			
DECIMALS: X.XXX ± .005 X.XX ± .015	MM: X.XX ± 0.15MM X.X ± 0.4MM	-	REDRAWN	TL 10/28/99
FRACTIONS ± 1/64	ANG. ± 1°	CHANGES		