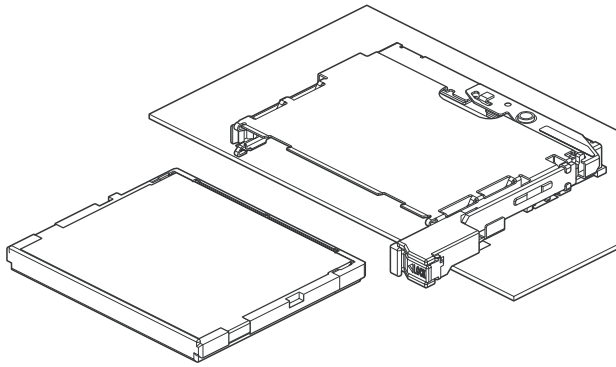




CFF CONNECTOR

1.27mm pitch/Connector for CFast™ Card Standard



This is the connector for CFast™ Card complying with CFast™ Specification.

- ***Compliant with CFast™ Card Standard***
- ***Stable transmission characteristic***
- ***Card connector with GND spring***
- ***Ejector with slide lock***

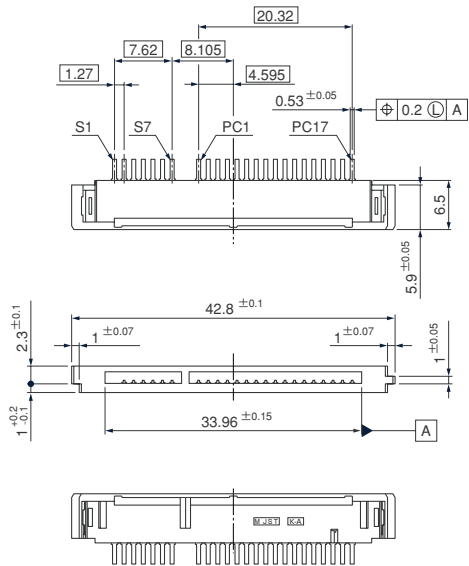
Specifications

- Temperature range: -40°C to +85°C
(including temperature rise in applying electrical current)
 - Contact resistance: Initial value/ 30 mΩ max.
After environmental tests/ 15 mΩ max.
(variation from initial value)
 - Insulation resistance: 1,000 MΩ min. 500 VDC
 - Withstanding voltage: 500 VAC/minute
 - Durability: 10,000 cycles
- * Refer to "General Instruction and Notice when using Terminals and Connectors" at the end of this catalog.
* Contact JST for details.
* Compliant with RoHS.

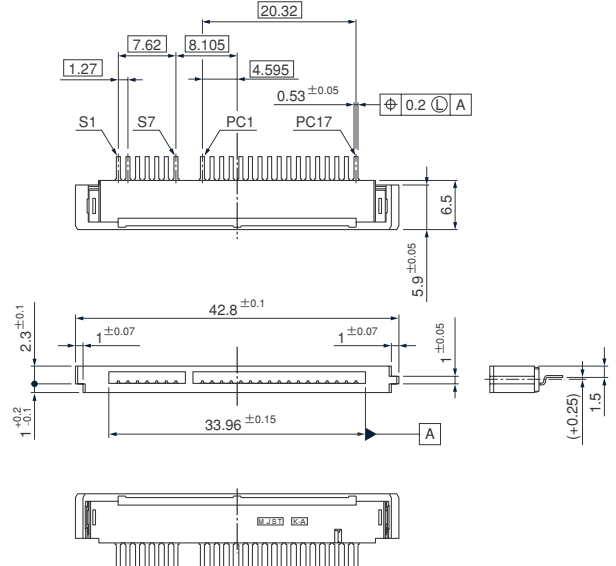
CFF CONNECTOR

Card connector

Offset -0.25 mm (With GND spring)



Offset +0.25 mm (With GND spring)

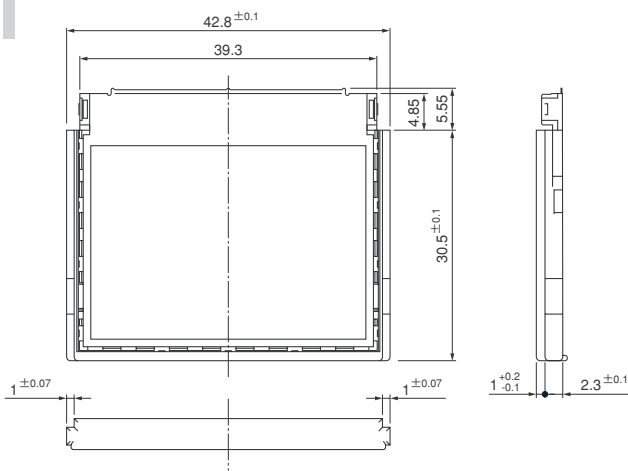


Circuits	Offset dimensions	GND spring	Model No.	Q'ty /reel	Material and Finish
24	-0.25 mm	With	CFF-CC24S-1521-GB25T	1,500	Contact: Copper alloy, nickel-undercoated, Mating part; gold-plated Solder tail; tin-plated (reflow treatment)
	+0.25 mm	With	CFF-CC24S-1521-GT25T	1,500	Grounding spring: Copper alloy, nickel-undercoated, Mating part; gold-plated Housing: Plastic, UL94V-0, black

RoHS compliance This product displays (LF)(SN) on a label.

Top cover for Type I card

Snap-in type



Circuits	Model No.	Q'ty/box
Snap-in type	CFF-FT1S-11FM	1,344

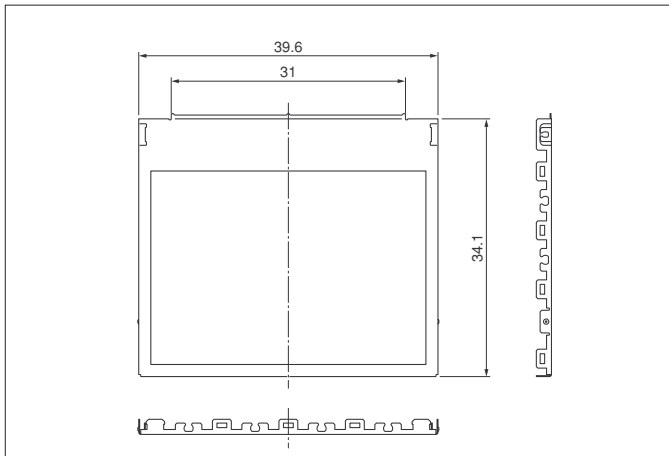
Material

Top cover : Stainless steel, Insulated film: PET
Frame: Plastic, UL94V-0, black

RoHS compliance

CFF CONNECTOR

Bottom cover



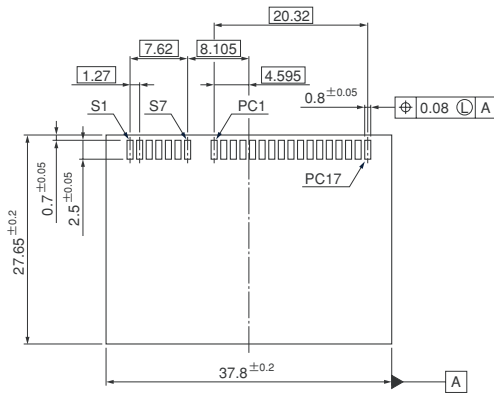
Circuits	Model No.	Q'ty/box
Snap-in type	CFF-FBU-12FM	1,344

Material
Top cover : Stainless steel Insulated film: PET

RoHS compliance

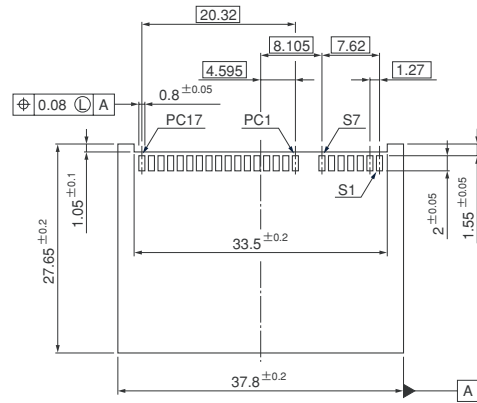
Card connector PC board layout

Offset -0.25 mm



Bottom cover side

Offset +0.25 mm



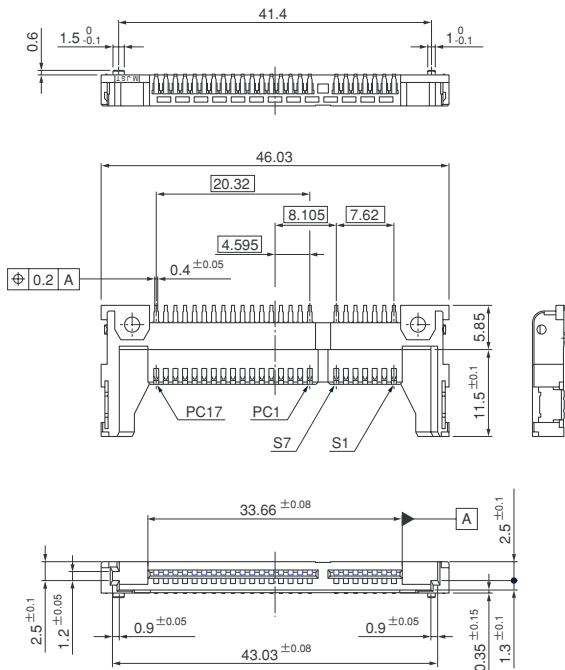
Top cover side

CFF CONNECTOR

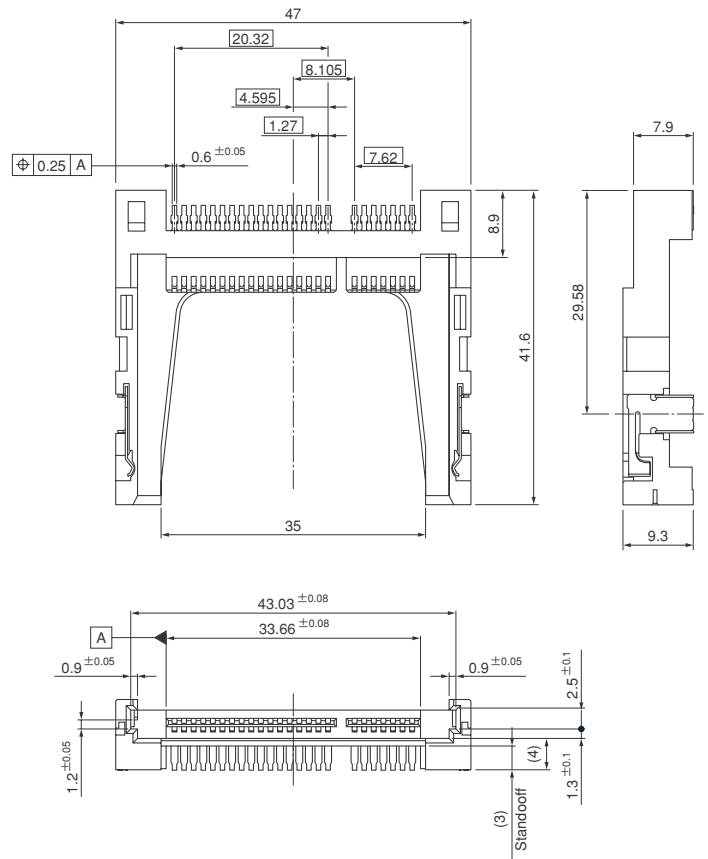
Host connector

Normal type

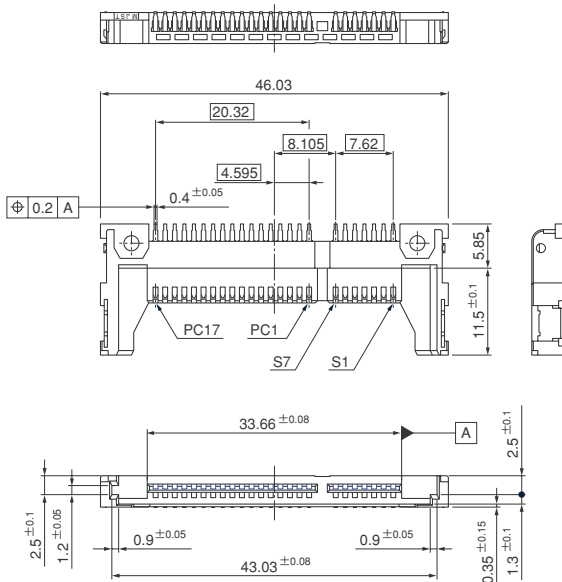
Standoff 0 mm (With boss)



Standoff 3 mm (Without boss)



Standoff 0 mm (Without boss)



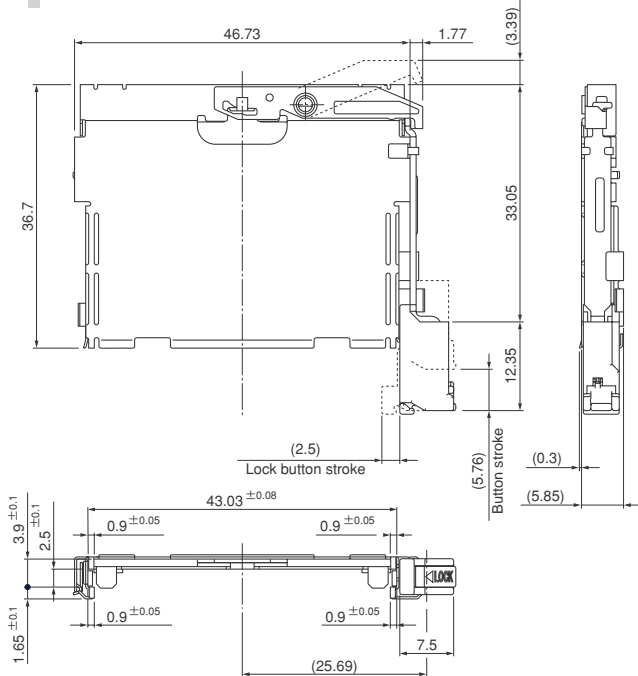
Circuits	Standoff	Boss	Model No.	Q'ty	Material and Finish
24	0 mm	With	CFF-HC24S-S352-N120T	700 (reel)	Contact: Copper alloy, nickel-undercoated, Mating part; gold-plated Solder tail; tin-plated (reflow treatment) Reinforcing: Copper alloy, nickel-undercoated, tin-plated (reflow treatment) Housing: Plastic, UL94V-0, black
		With	CFF-HC24S-S352-N120T1	100 (reel)	
	Without	CFF-HC24S-S352-N130T	700 (reel)		
	Without	CFF-HC24SG-S352-N133A	480 (box)		
	3 mm	Without	CFF-HC24SG-S352-N133AR1	75 (box)	

RoHS compliance This product displays (LF)(SN) on a label.

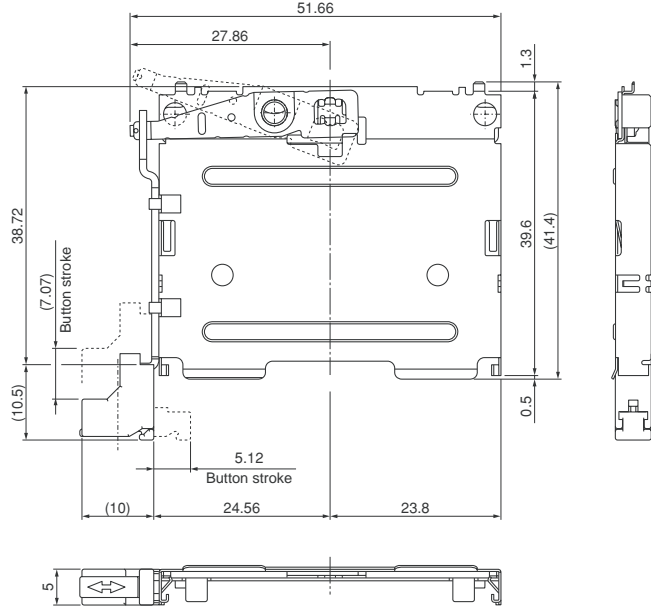
CFF CONNECTOR

Ejector

Normal type Standoff 0 mm



Standoff 3 mm

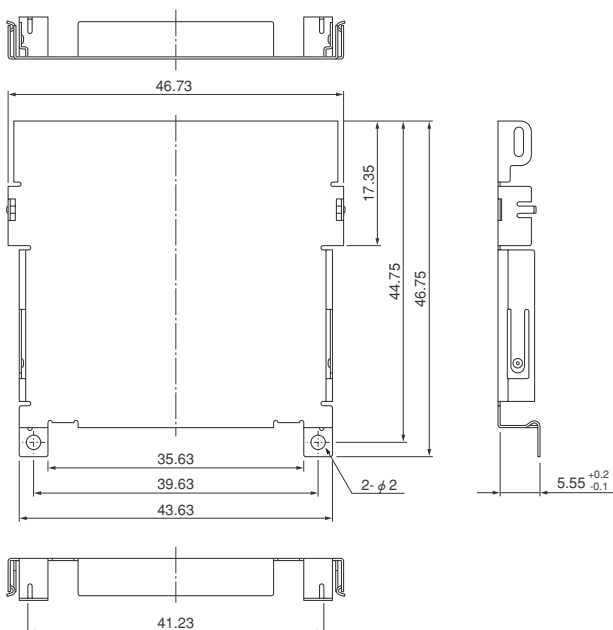


Standoff	Button position	Model No.	Q'ty/box	Material and Finish
0 mm	Right button	CFF-EP2R-NS11B	630	Frame: Stainless steel Standoff 0 mm type; Solder tail; tin-plated (reflow treatment) Push button: Plastic, UL94HB, black Lock button: Plastic, UL94HB, gray
		CFF-EP2R-NS11BR1	105	
3 mm	Left button	CFF-EP2L-NL10B	528	
		CFF-EP2L-NL10BR1	96	

RoHS compliance Standoff 0 mm type product displays (LF)(SN) on a label.

Hold cover

Normal type



Standoff	GND spring	Model No.	Q'ty/box
0 mm	With	CFF-NE2-NS1C	690
		CFF-NE2-NS1CR1	120

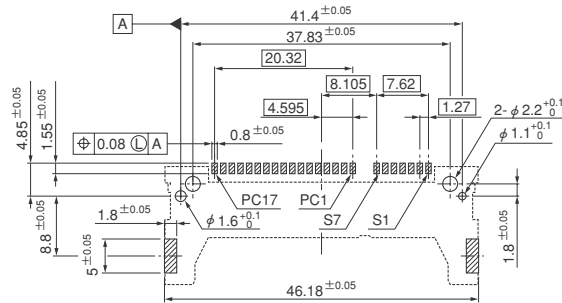
Material

Frame: Stainless steel

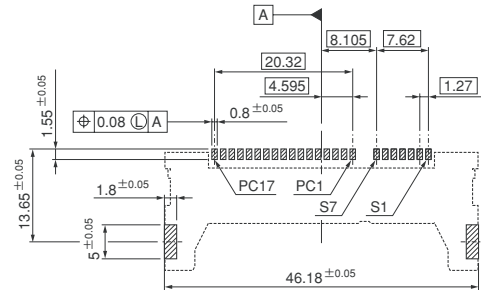
RoHS compliance

Host connector PC board layout

Standoff 0 mm (With boss)

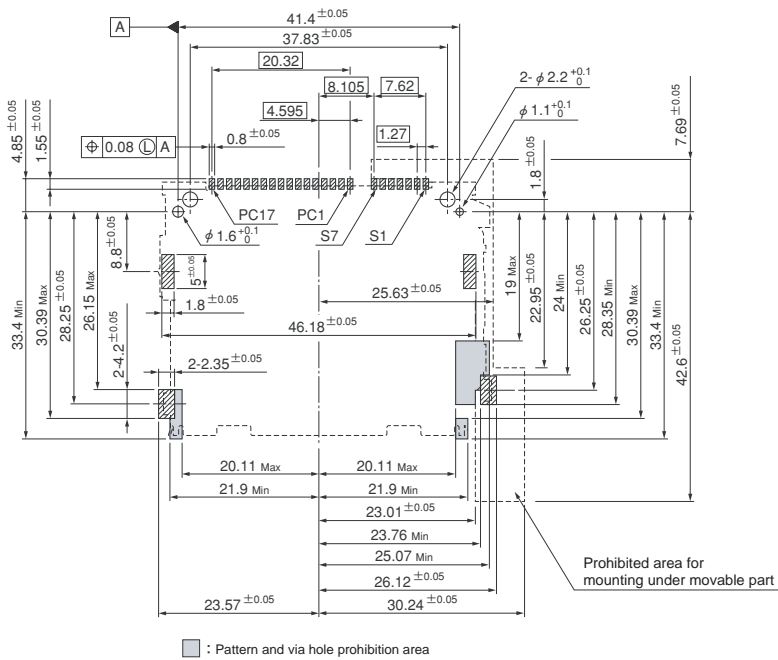


Standoff 3 mm (Without boss)



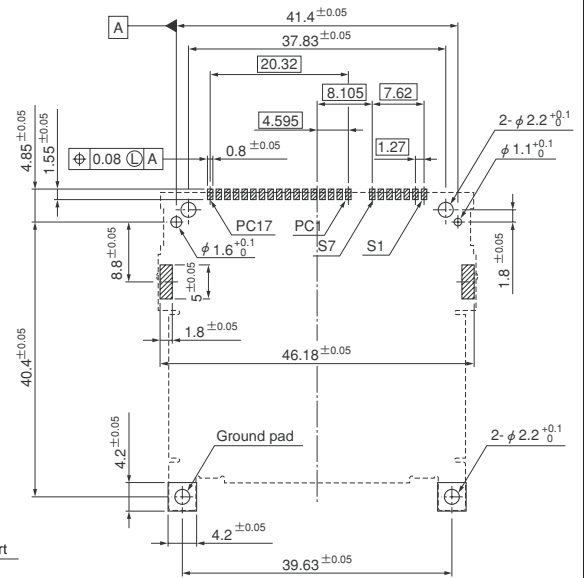
Ejector

Standoff 0 mm (With boss)

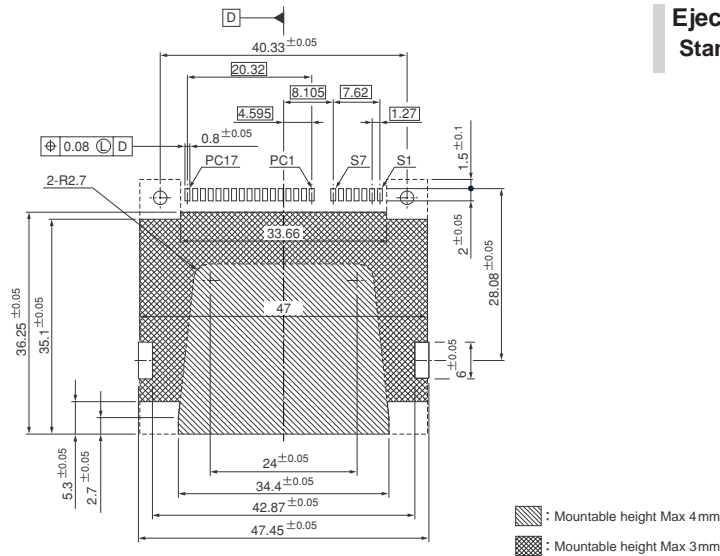


Hold cover

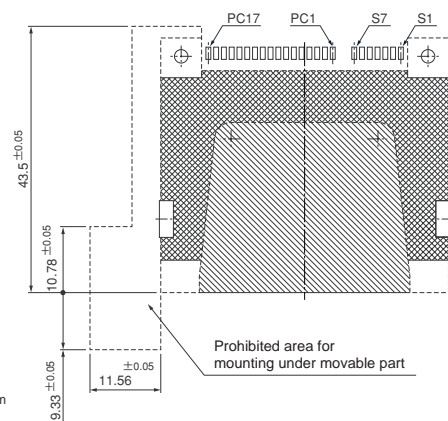
Standoff 0 mm (Without boss)



Standoff 3 mm



Ejector Standoff 3 mm



Recommended PC board layout