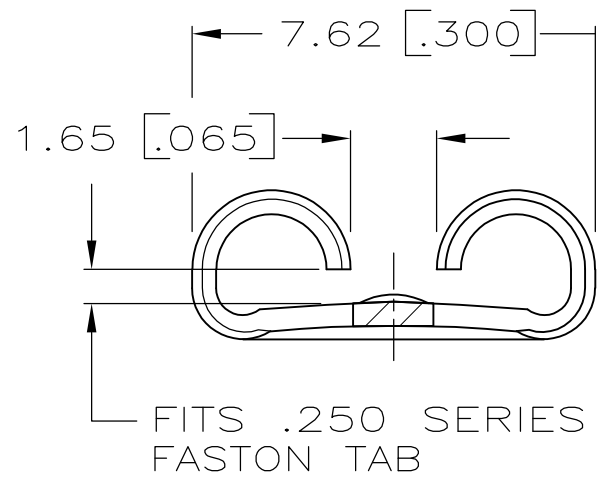
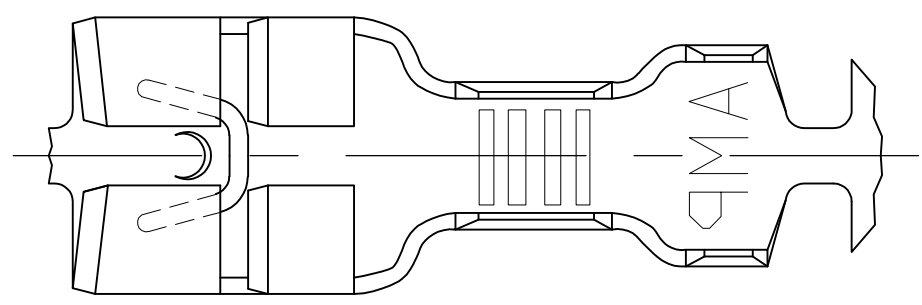


THIS DRAWING IS UNPUBLISHED. RELEASED FOR PUBLICATION
 © COPYRIGHT - By - ALL RIGHTS RESERVED.

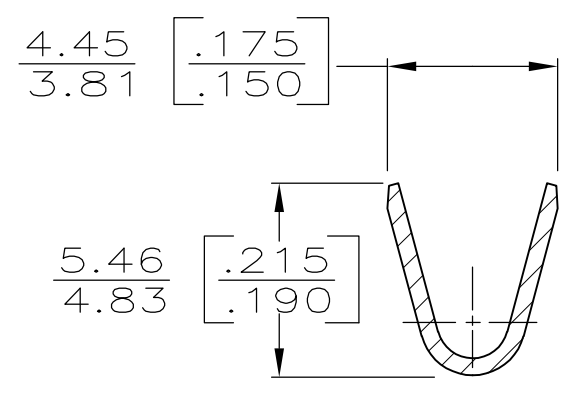
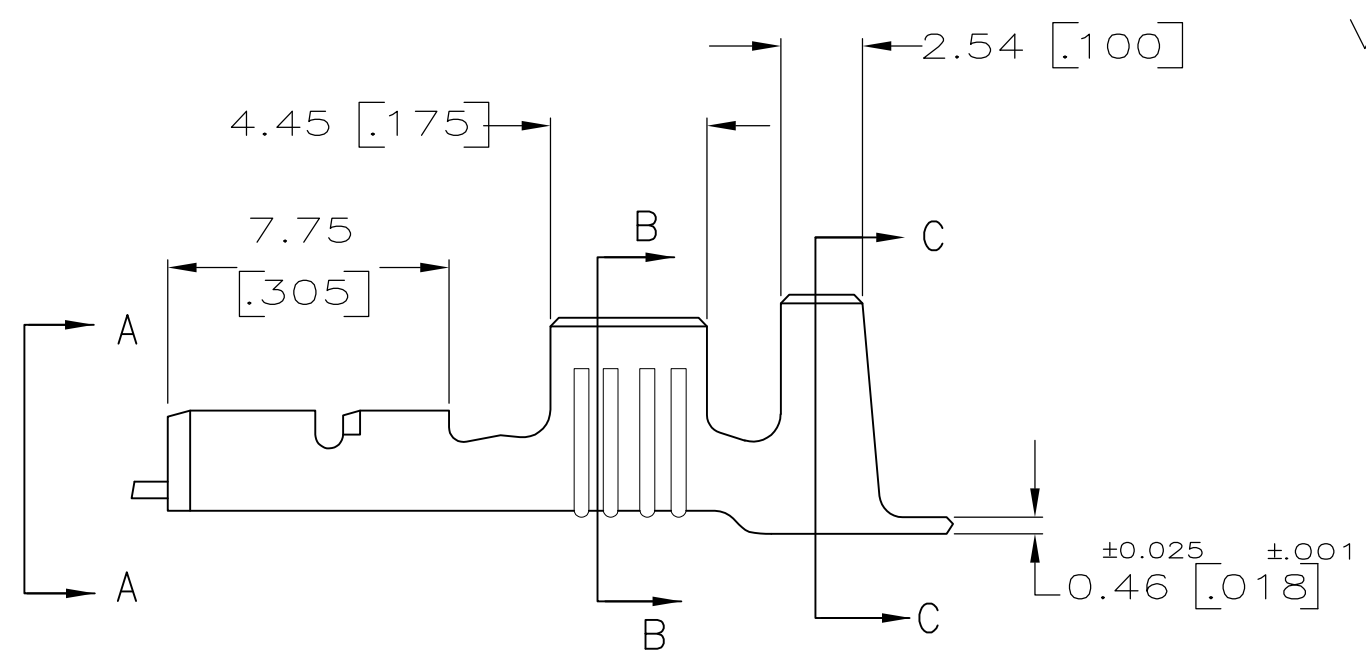
LOC	DIST	REVISIONS			
P	LTR	DESCRIPTION	DATE	DWN	APVD
AF	50	K	REVISED PER ECR-12-013518	23NOV2012	KH PD



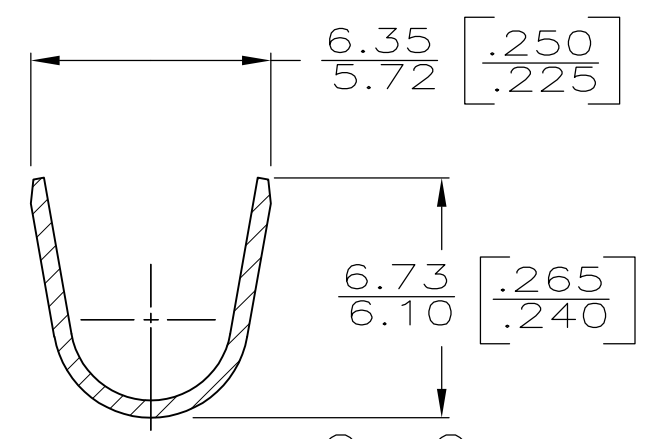
FITS .250 SERIES FASTON TAB

VIEW A-A

- 1 DIMENSIONS IN BRACKETS ARE IN INCHES.
- 2 CONTINUOUS STRIP ON REELS.



SECTION B-B



SECTION C-C

TIN	5.08-3.81 [.200-.150]	2.0-5.0mm ² [14-10]	±0.025 .081	±.001 [.032]	63365-2
FINISH	INSULATION RANGE	WIRE SIZE	MATING TAB THK.		63365-1
					PART NO

THIS DRAWING IS A CONTROLLED DOCUMENT.		DWN	JR RUTH	10/10/86	STE TE Connectivity											
DIMENSIONS: mm [INCHES]		CHK	M FEHER	12/1/87												
TOLERANCES UNLESS OTHERWISE SPECIFIED:		APVD	C MEYERS	12/1/87												
<table border="0"> <tr><td>0 PLC</td><td>± -</td></tr> <tr><td>1 PLC</td><td>± -</td></tr> <tr><td>2 PLC</td><td>± -</td></tr> <tr><td>3 PLC</td><td>± 0.25 [.010]</td></tr> <tr><td>4 PLC</td><td>± -</td></tr> <tr><td>ANGLES</td><td>± -</td></tr> </table>		0 PLC	± -	1 PLC		± -	2 PLC	± -	3 PLC	± 0.25 [.010]	4 PLC	± -	ANGLES	± -	PRODUCT SPEC	
0 PLC	± -															
1 PLC	± -															
2 PLC	± -															
3 PLC	± 0.25 [.010]															
4 PLC	± -															
ANGLES	± -															
MATERIAL	BRASS	FINISH	-	APPLICATION SPEC	RECEPTACLE, FASTON, LOW-INSERTION, .250 SERIES											
		WEIGHT	-	SIZE	CAGE CODE											
		CUSTOMER DRAWING		A300779	DRAWING NO											
				C-63365	RESTRICTED TO											
		SCALE	5:1	SHEET	1 OF 1											
				REV	K											