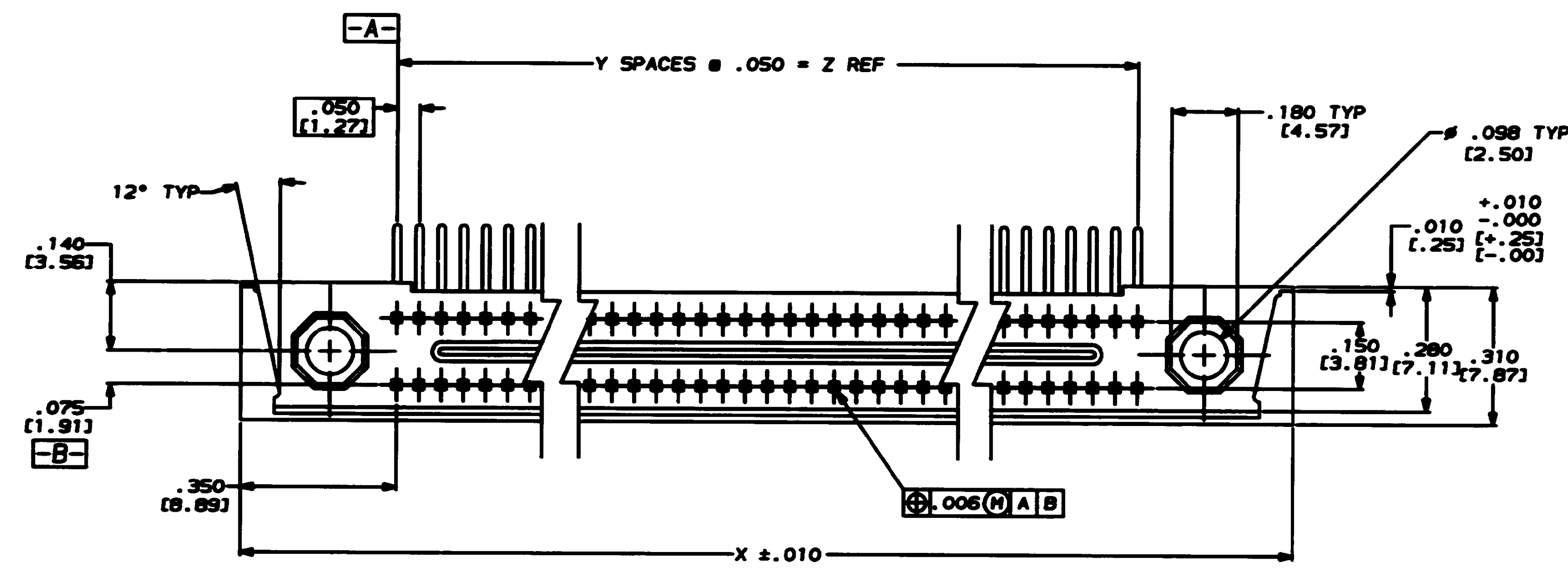
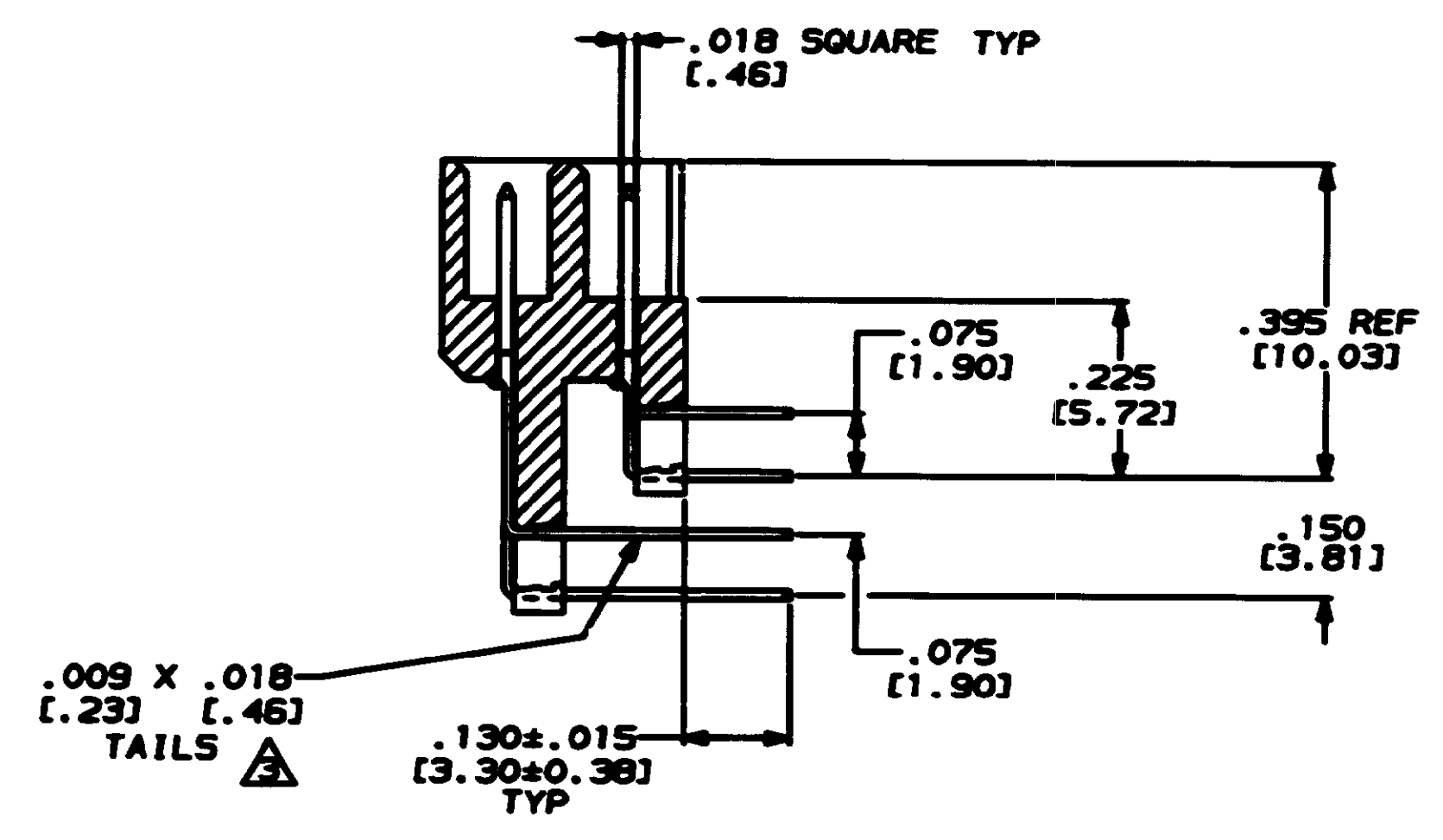
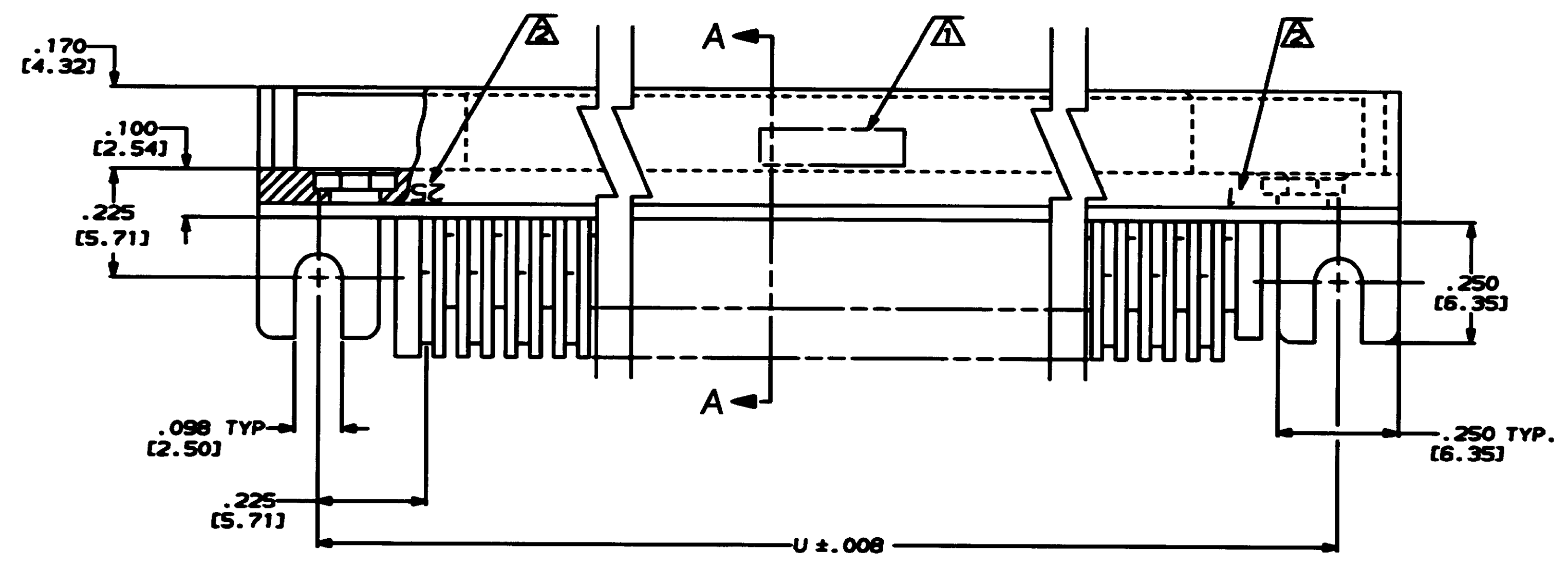


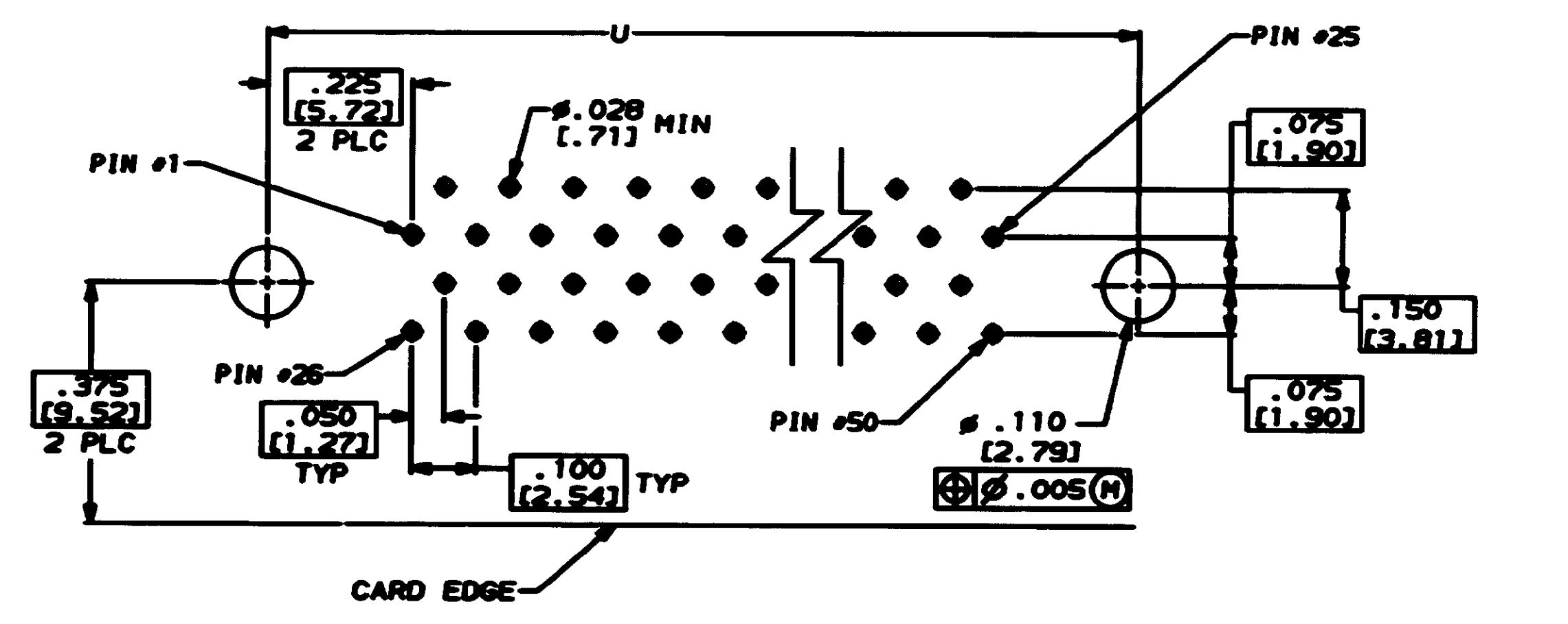
REV. NO.		DATE		DESCRIPTION		DATE	APPD
0	REL PER	NPR 94-1947	TA			3-31-64	DG



- △ MARK AMP, PART NO., DATE CODE
- △ NUMBERS INDICATING END POSITIONS MARKED THIS SIDE ONLY.
- △ .000030 GOLD IN CONTACT AREA, SELECTIVE OVER NICKEL TIN ON CONTACT TAILS. CONTACT MATL. BRASS.
- △ HOUSING MATERIAL: LIQUID CRYSTAL POLYMER PER MIL-M-24519, GLCP-30F, COLOR: GRAY.



SECTION A-A



RECOMMENDED PRINTED CIRCUIT BOARD LAYOUT (CONNECTOR SIDE)

CONTACT IDENT NUMBERS	Z	Y	X	U	NO OF POSN	PART NUMBER
1 - 25	1.200 [30.48]	24	1.900 [48.26]	1.650 [41.91]	50	449793-1
DO NOT SCALE PRINT. UNLESS SPECIFIED DIMENSIONS IN INCHES TOLERANCES ON:		OR 3-31-64 T. ALEXANDER		AMP INCORPORATED 200 North 17th St., P.O. Box 17000 Charlotte, N.C. 28217		
2 PLC DEC ± .005		OR 3-31-64 B. BUTTER				
3 PLC DEC ± .008		APPD 3-31-64 B. BUTTER				
ANGLES ± 0° 30'		APPD 3-31-64 T. ALEXANDER				
MATERIAL		PRODUCT SPEC		NAME		
FINISH		APPLICATION SPEC		ASSEMBLY, PIN HEADER, MINI-BOX RIGHT ANGLE		
WEIGHT		SCALE		SIZE		DRAWING NO 449793
		5:1		PECH NO 00779		
				SHEET		1 OF 1