



Front



Back

Warrior

PA.710.A

Specification

Patent Pending

| | |
|---------------------|--|
| Part No. | PA.710.A |
| Product Name | Warrior Ultra Wide-Band LTE/Cellular/CDMA SMT Antenna For 2G/3G/4G applications LTE / GSM / CDMA /DCS /PCS / WCDMA / UMTS / HSDPA / GPRS / EDGE /IMT, 698MHz to 960MHz, 1710MHz to 2690Mhz |
| Feature | High efficiency Wide-Band Antenna Patent Pending Surface Mount Technology 40 x 6 x 5mm size RoHS Compliant |



1. Introduction

The Warrior, the revolutionary patent pending PA.710A is a 2G/3G/4G, High Efficiency SMT Ceramic antenna, operating at 698MHz to 960MHz and 1710MHz to 2690MHz. It uses high grade custom ceramic material and new design

techniques to deliver the highest efficiencies on all bands when mounted on the device's main PCB. The exceptional wide-band response means it is the ideal antenna for all LTE applications that also need high efficiency and backward

compatibility for 2G and 3G globally on all lower and upper bands.

The PA.710A is delivered on tape and reel and mounted securely during the device PCB reflow process.

1.1 Key Advantages

1. Highest efficiency in a small size, i.e. 40mm*6mm*5mm.

A comparative antenna, for example metal/FR4/FPC/whip/rod/helix, would have much reduced efficiency in this configuration due to their different dielectric constants.

Very high efficiency antennas are critical to 3G and 4G devices ability to deliver the stated data-speed rates of systems such as HSPA and LTE.

2. More resistant to detuning compared to other antenna integrations.

If tuning is required it can be tuned for the device environment using a matching circuit, or other techniques on the main PCB itself. There is no need for new tooling, thereby saving money if customization is required.

3. Highly reliable and robust

Its predecessors the PA.25A and PA700A antennas are used by the world's leading automotive makers in extremely challenging environments. The antenna meets all temperature and mechanical specs required (vibration, drop tests etc)

4. Easy to integrate.

Other antenna designs come in irregular shapes and sizes making them more difficult to integrate.

5. Surface Mount Technology (Directly On-Board)

antenna saves on labor, cable and connector costs, leads to higher integration yield rates, and reduces losses in transmission.

6. Minimum Transmission and Reception Losses

these are kept to absolute minimum resulting in much improved OTA (over the air), i.e. TRP (Total Radiated Power)/TIS (Total Isotropic Radiation), device performance compared to similar efficiency cable and connector antenna solutions. This means it is an ideal antenna to be used for devices that need to pass for example USA carrier network approvals

7. RSE Reductions

Will help to eliminate radiated spurious emission failures compared to other antenna technologies as the required

layout for the antenna can deliver natural isolation between the onboard noise and the antenna itself.

Also the antenna can be matched better to the system with the matching circuit function.

8. High Gain in Both Polarization Planes

Achieves moderate to high gain in both vertical and horizontal polarization planes. This feature is very useful in certain wireless communications where the antenna orientation is not fixed and the reflections or multipath signals may be present from any plane.

In those cases the important parameter to be considered is the total field strength, which is the vector sum of the signal from the horizontal and vertical polarization planes at any instant in time.

2. Specification

Electrical

| | | | | |
|----------------------------------|------------------|--------------|--------------|--------------|
| Antenna | PA710 Warrior | | | |
| Standard | 2G/3G/4G | | | |
| Operation Frequency (MHz) | 698~960MHz | 1710~2170MHz | 2300~2400MHz | 2490~2690MHz |
| Peak Gain | 1.0dBi | 3.2dBi | 3.5dBi | 3.5dBi |
| Average Gain | -2.3 dB | -1.5dB | -1.8dB | -1.5dB |
| Efficiency | 60% | 70% | 65% | 70% |
| VSWR | <3.0:1 | | | |
| Impedance | 50Ω | | | |
| Polarization | Linear | | | |
| Radiation Properties | Omni-directional | | | |
| Max Input Power | 5 W | | | |

* The Warrior PA710 antenna performance was measured with 120x45mm ground plane.

Mechanical

| | |
|------------------------|-------------------------------------|
| Dimensions (mm) | 40 x 6 x 5 mm |
| Material | Ceramic |
| Termination | Ag (environmental-friendly Pb free) |
| EVB Connector | SMA-Female |

Environmental

| | |
|------------------------------|----------------------------|
| Operation Temperature | -40°C to 85°C |
| Storage Temperature | -40°C to 105°C |
| Relative Humidity | Non-condensing 65°C 95% RH |
| RoHs Compliant | Yes |

3. Test Set Up

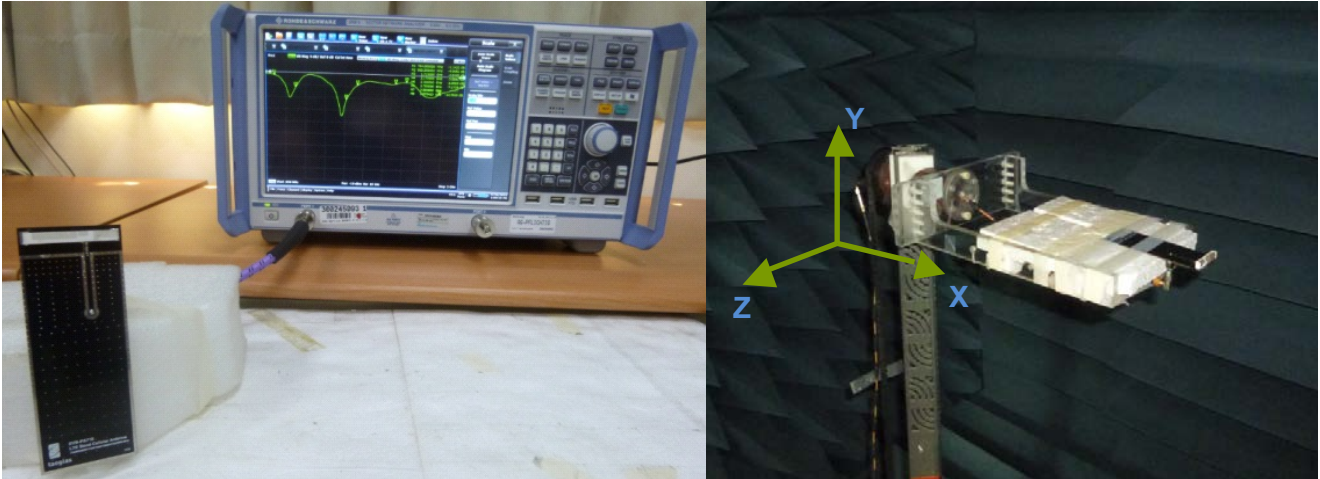


Figure 1. Impedance measurements (left hand) and peak gain, average gain, efficiency and radiation pattern measurements (right hand)

4. Antenna Parameters

4.1 Return Loss

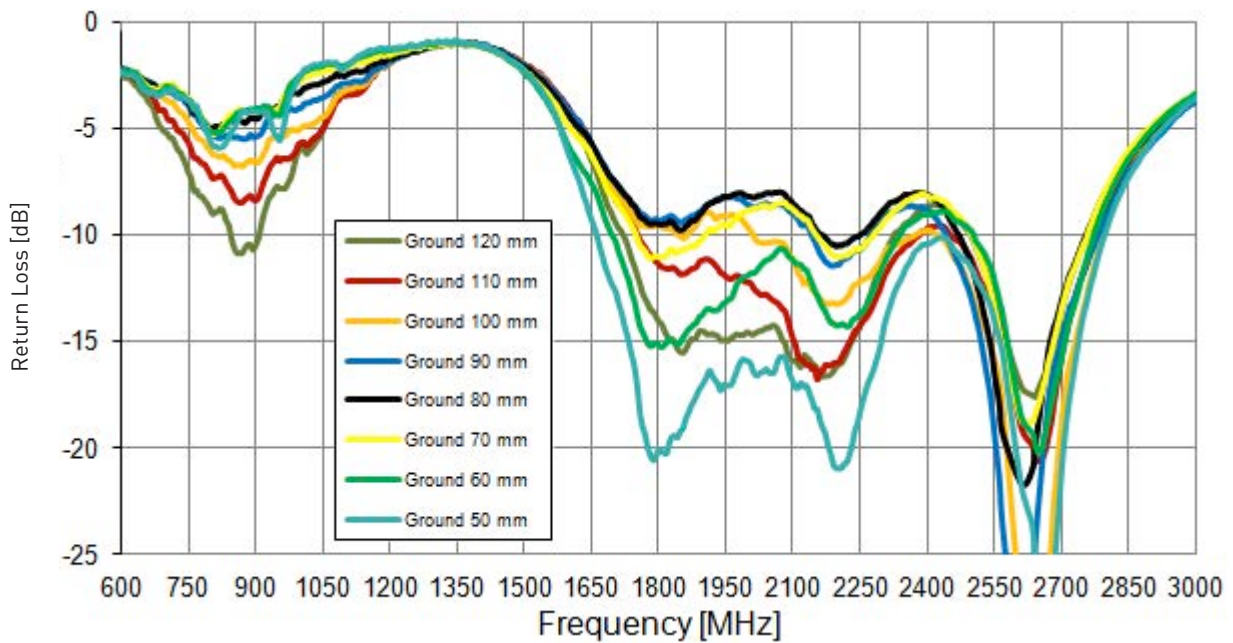


Figure 2. Return Loss of the Warrior PA710 LTE antenna

4.2 VSWR

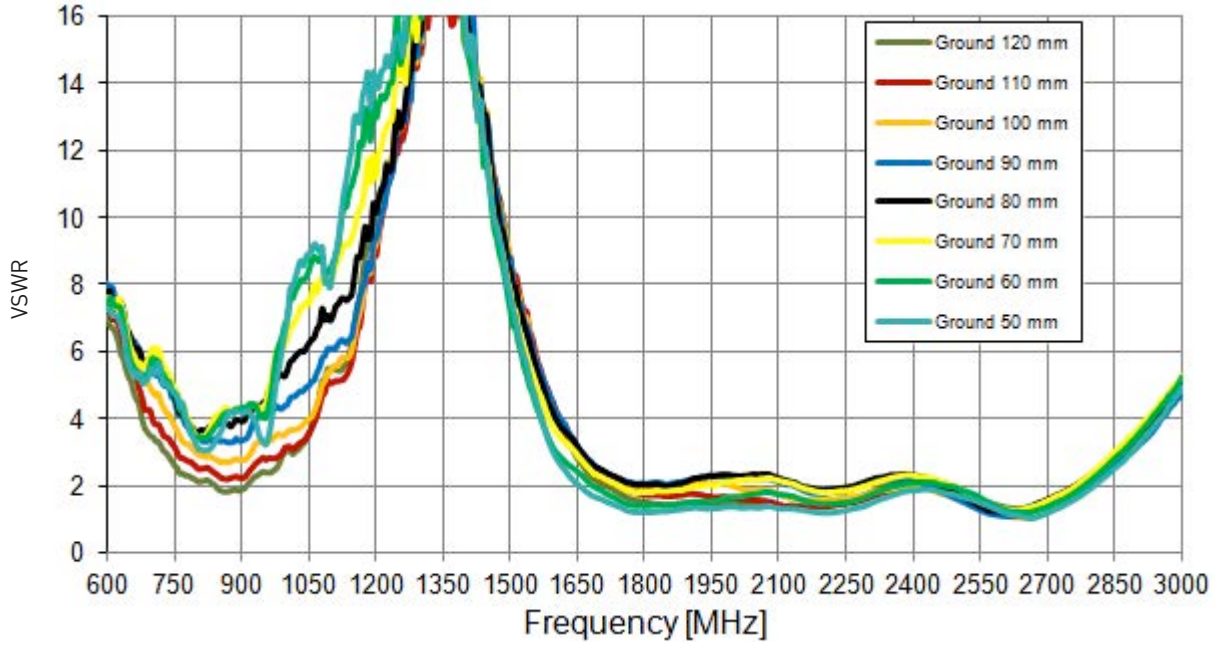


Figure 3. VSWR of the Warrior PA710 LTE Antenna

4.3 Efficiency

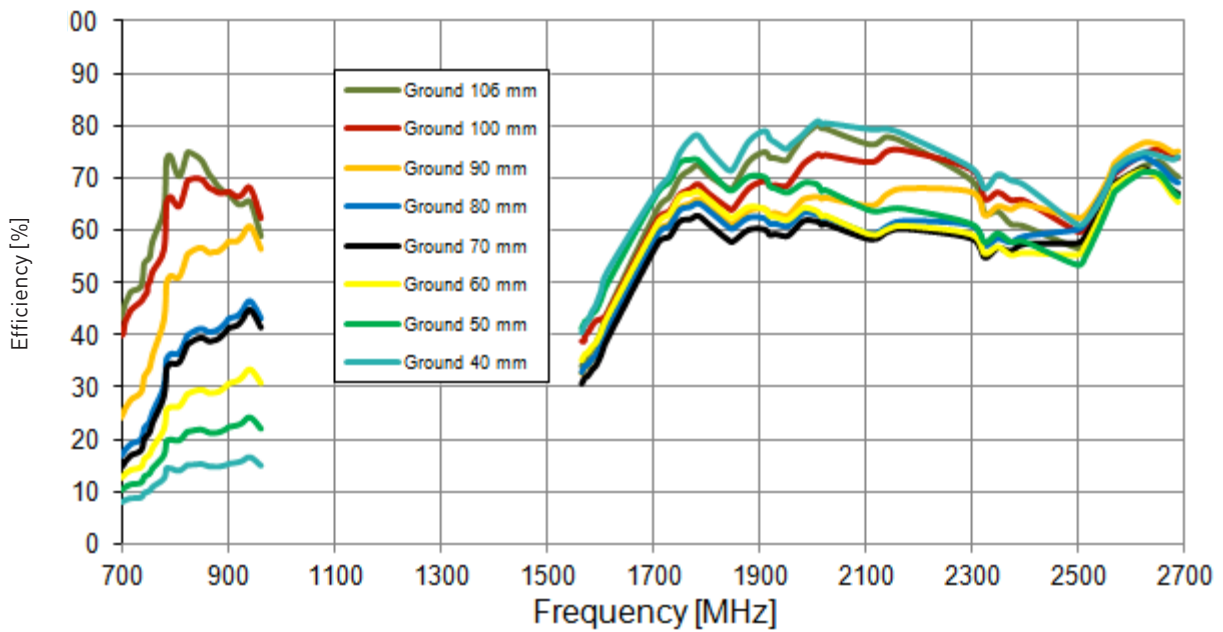


Figure 4. Efficiency of the Warrior PA710 LTE Antenna

4.4 Peak Gain

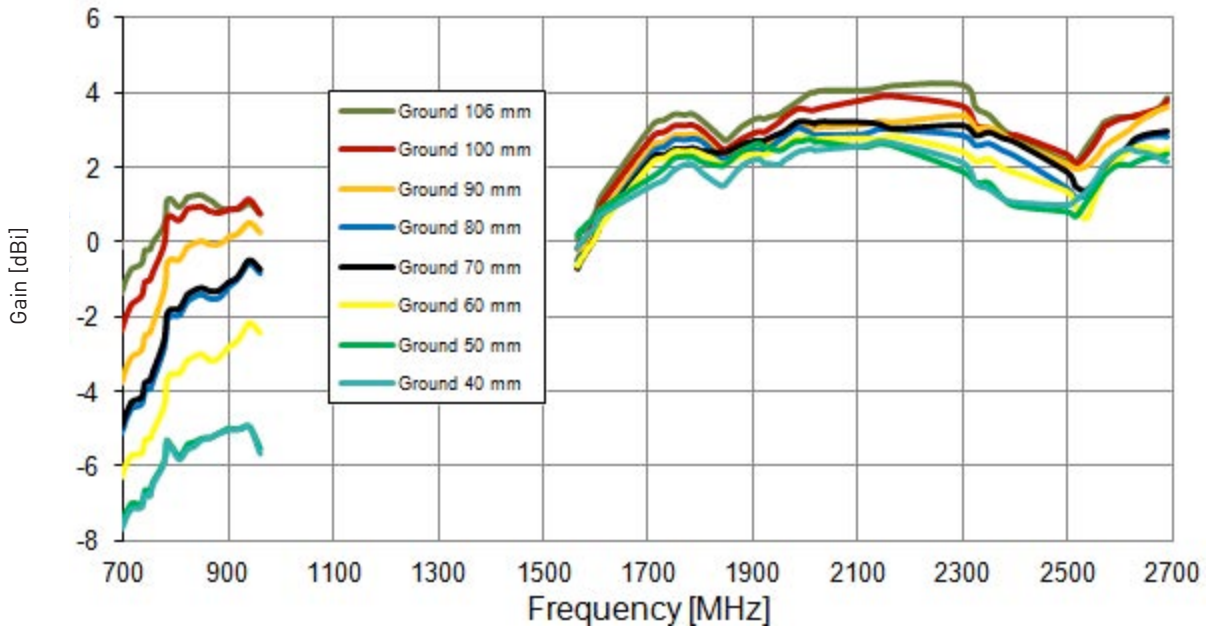


Figure 5. Peak Gain of the Warrior PA710 LTE Antenna

4.5 Average Gain

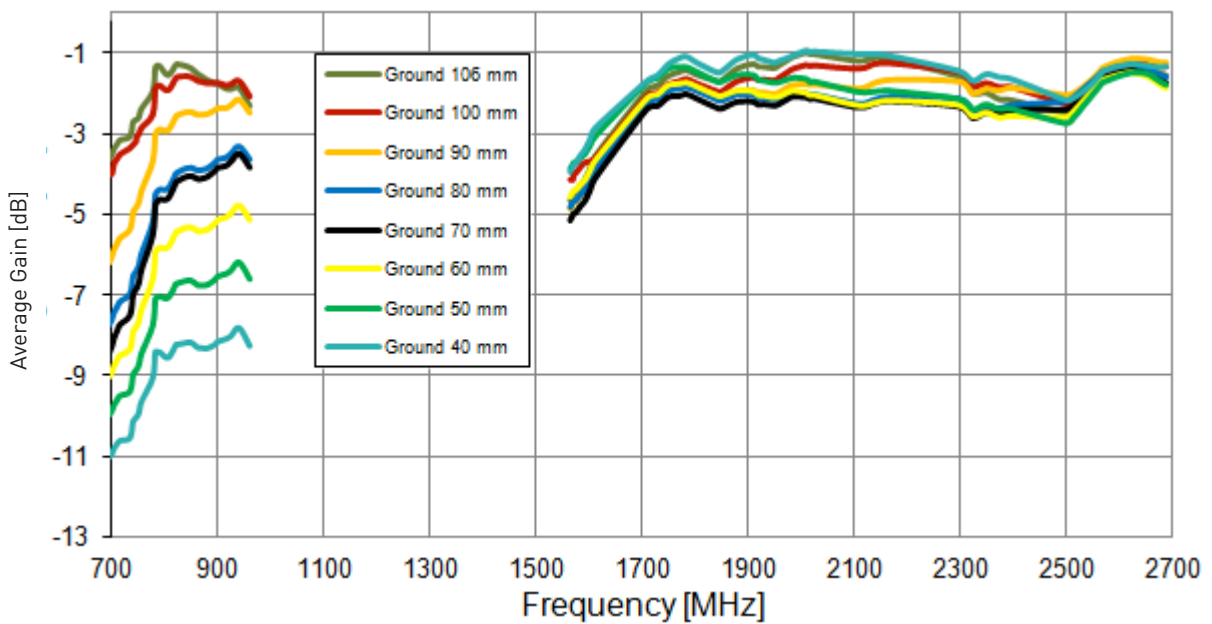


Figure 6. Average Gain of the Warrior PA710 LTE Antenna

4.6 3D Radiation Pattern (measured on 120*45mm EVB)

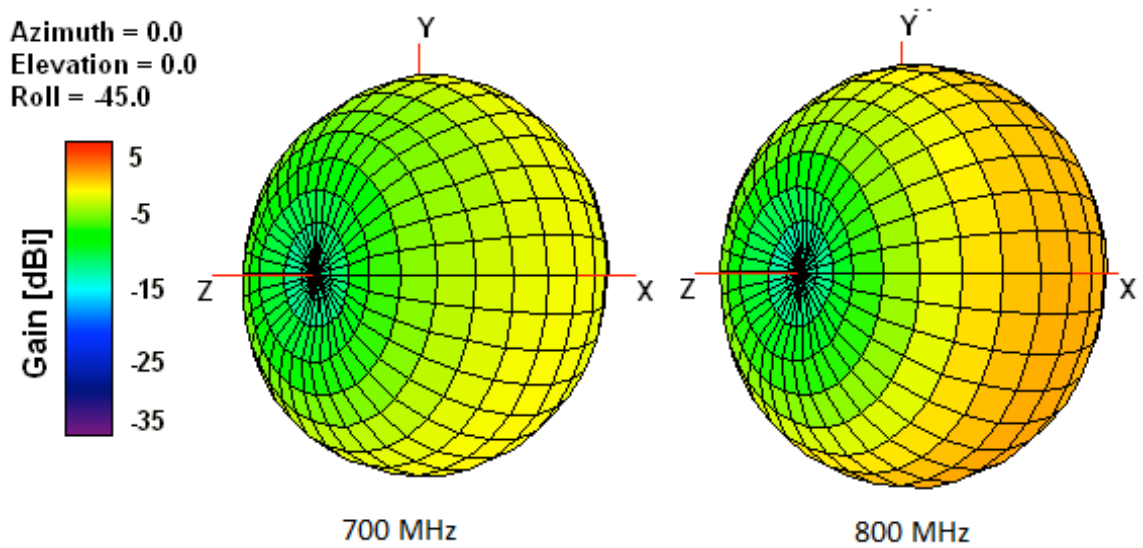


Figure 7. 3D Radiation Pattern at 700 and 800 MHz of the Warrior PA710 Antenna

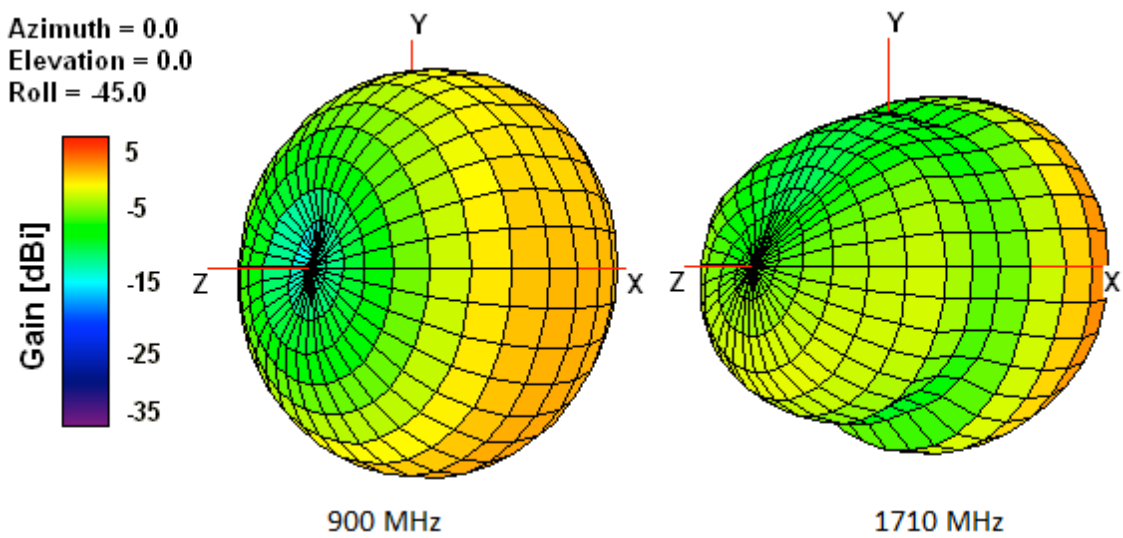


Figure 8. 3D Radiation Pattern at 900 and 1700 MHz of the Warrior PA710 Antenna

4.6 3D Radiation Pattern (measured on 120*45mm EVB)

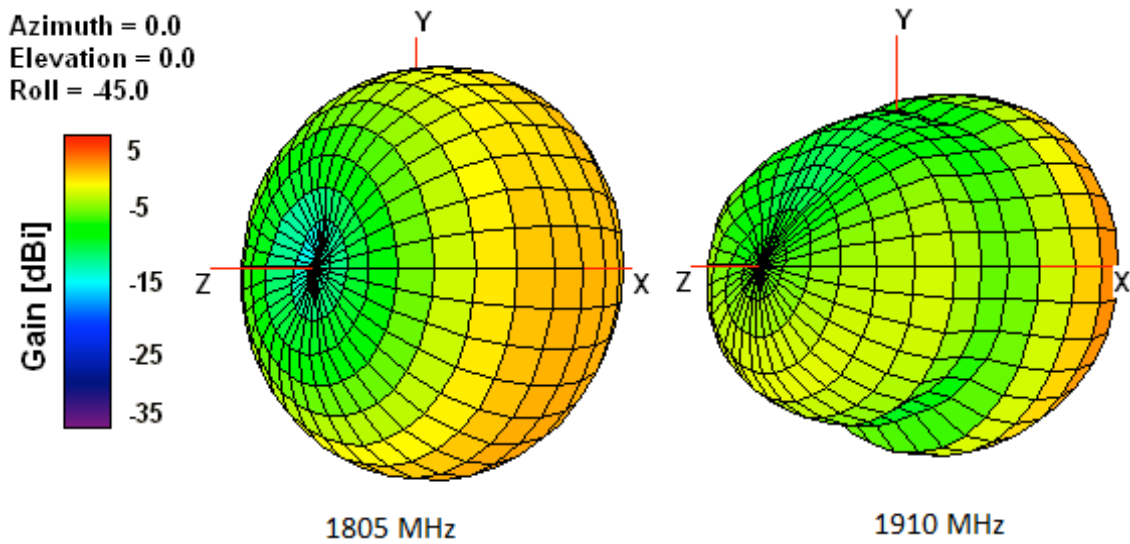


Figure 9. 3D Radiation Pattern at 1805 and 1910 MHz of the Warrior PA710 Antenna

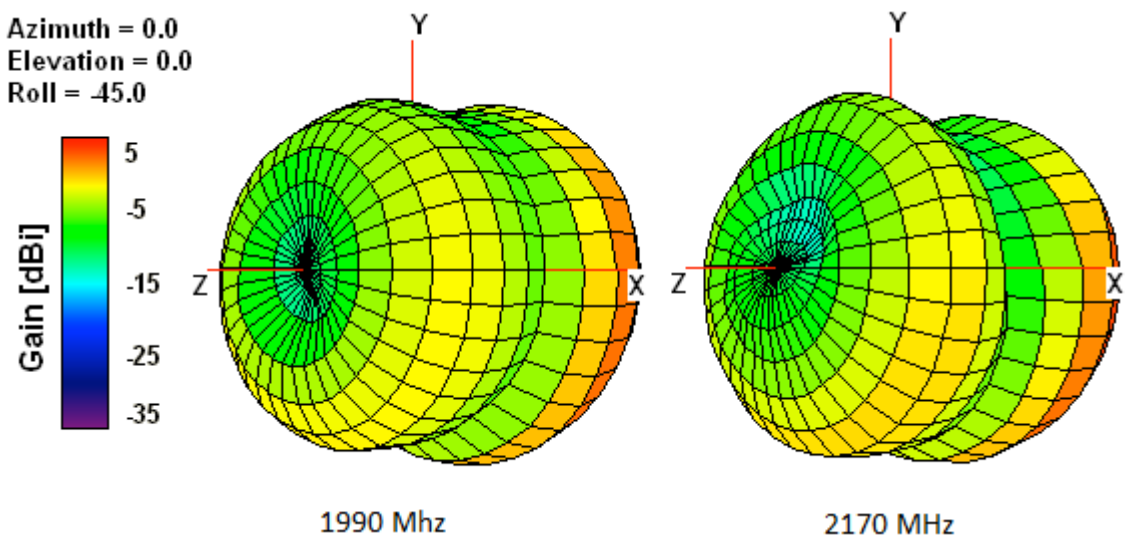


Figure 10. 3D Radiation Pattern at 1990 and 2170 MHz of the Warrior PA710 Antenna

4.6 3D Radiation Pattern (measured on 120*45mm EVB)

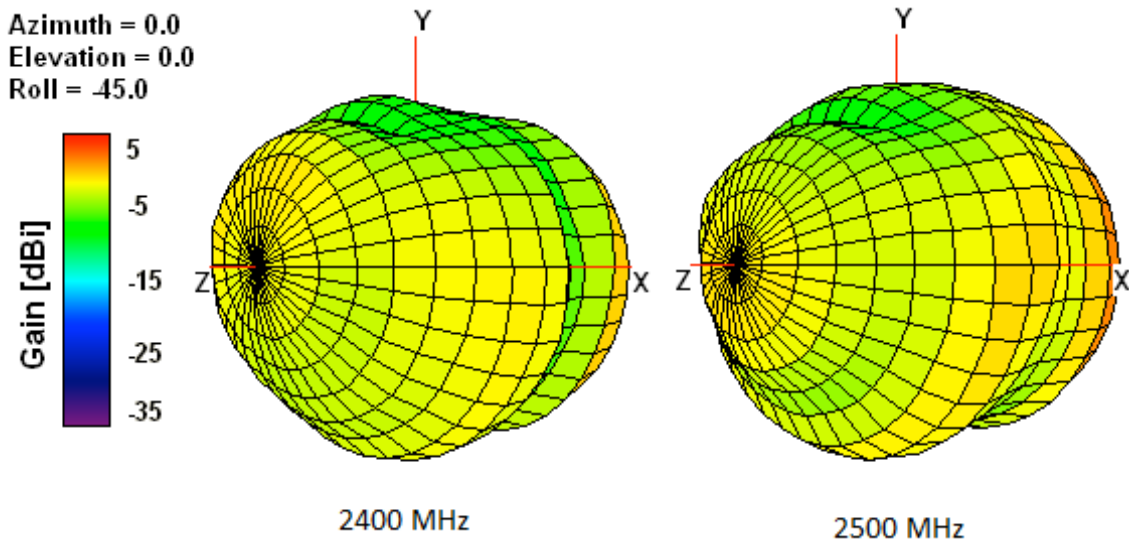


Figure 11. 3D Radiation Pattern at 2500 and 2600 MHz of the Warrior PA710 Antenna

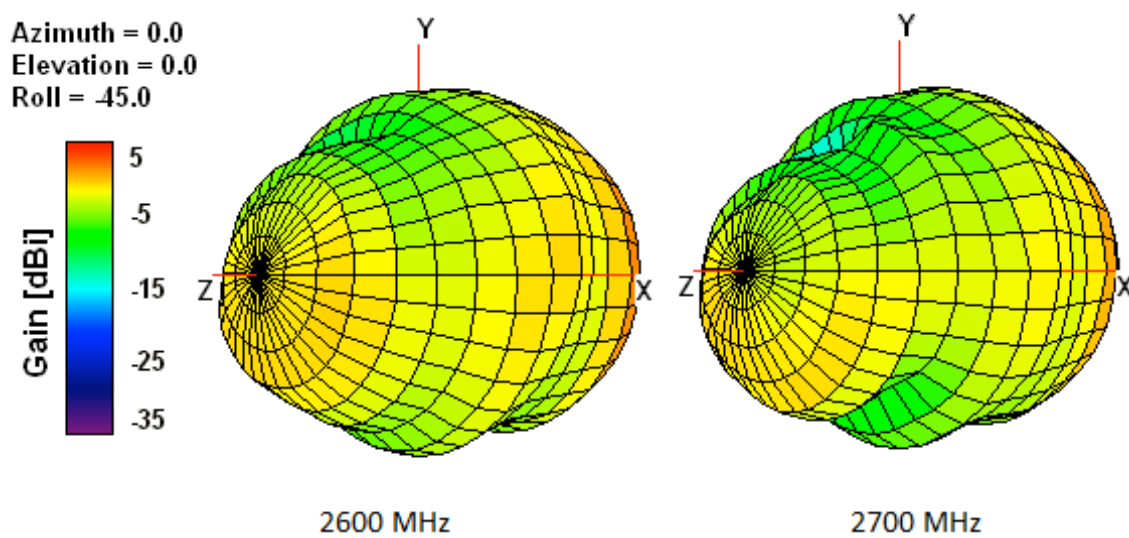
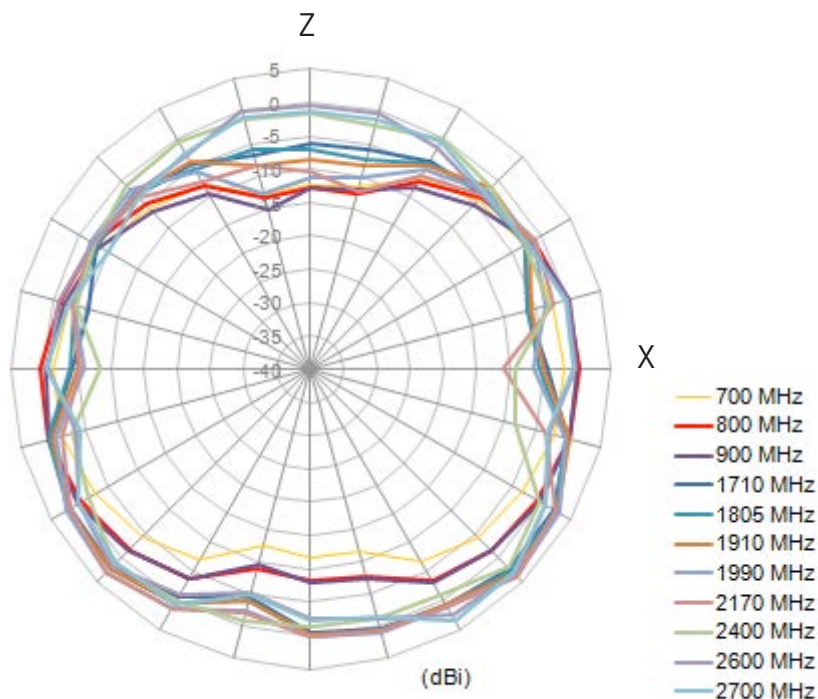
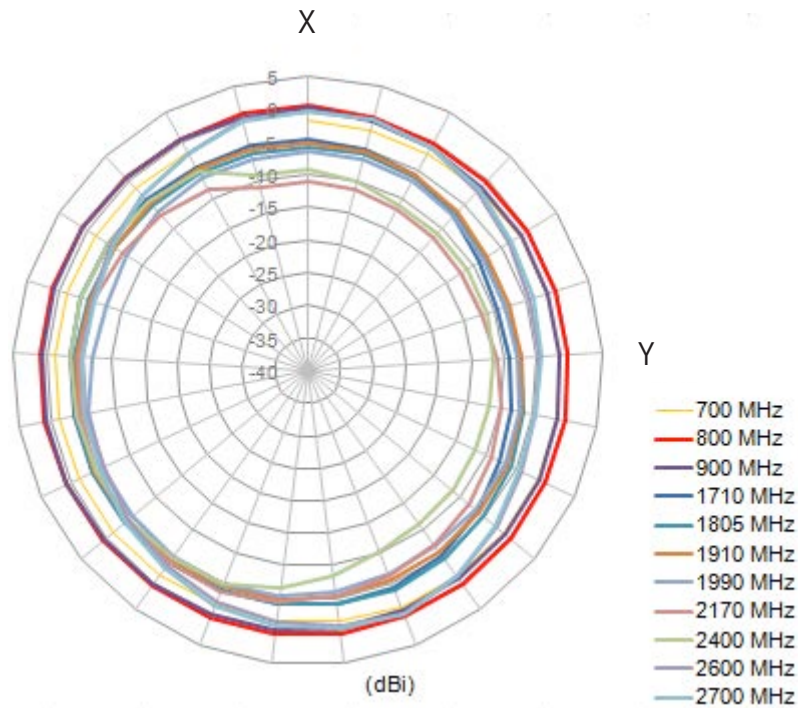


Figure 12. 3D Radiation Pattern at 2700 and 2800 MHz of the Warrior PA710 Antenna

4.7 2D Radiation Pattern (measured on 120*45mm EVB)



4.7 2D Radiation Pattern (measured on 120*45mm EVB)

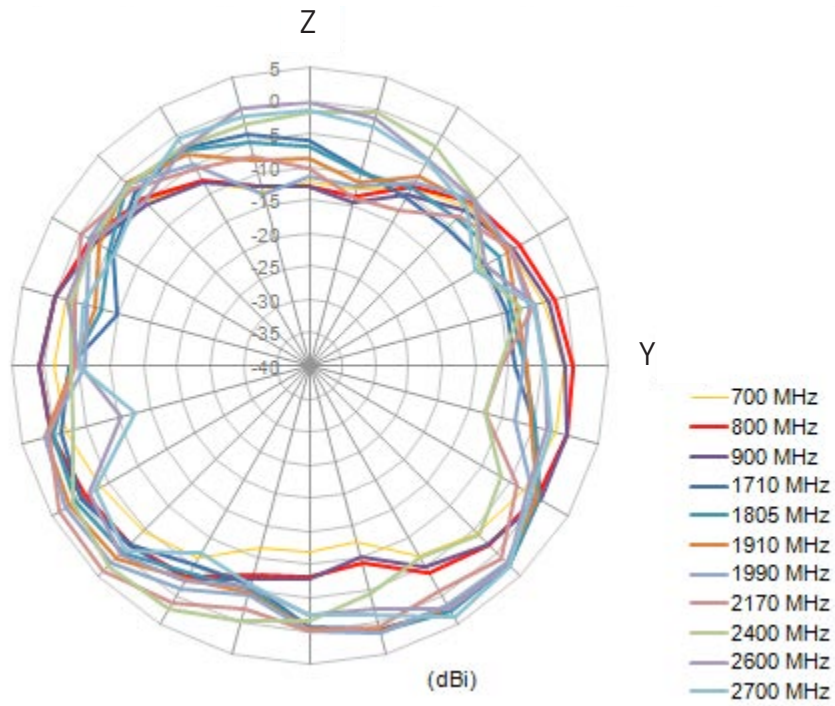


Figure 13. 2D Radiation Pattern of the Warrior PA710 Antenna

5. Mechanical Drawing

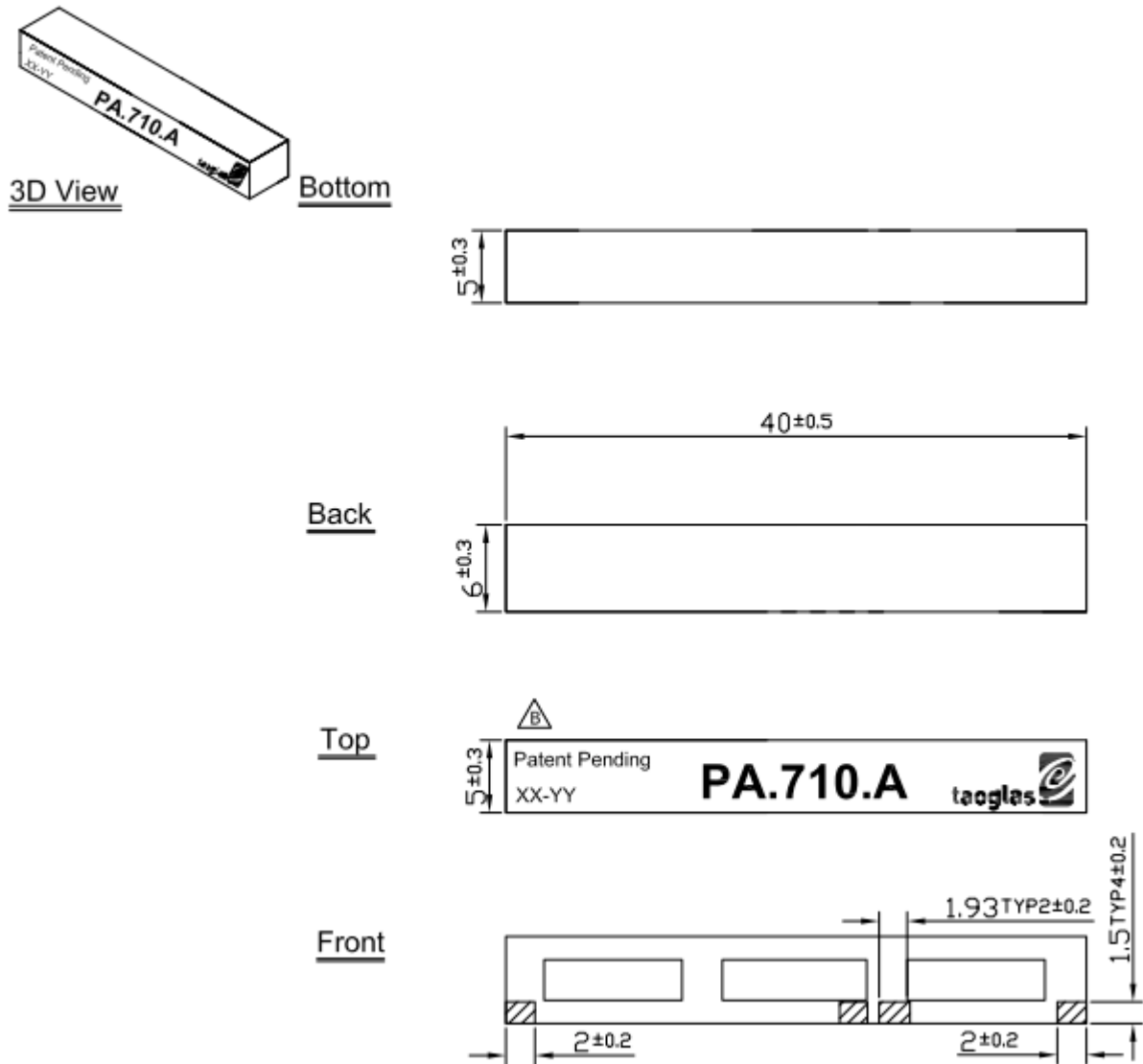


Figure 14. Mechanical Drawing of the Warrior PA710 Antenna.

6. Layout Dimensions

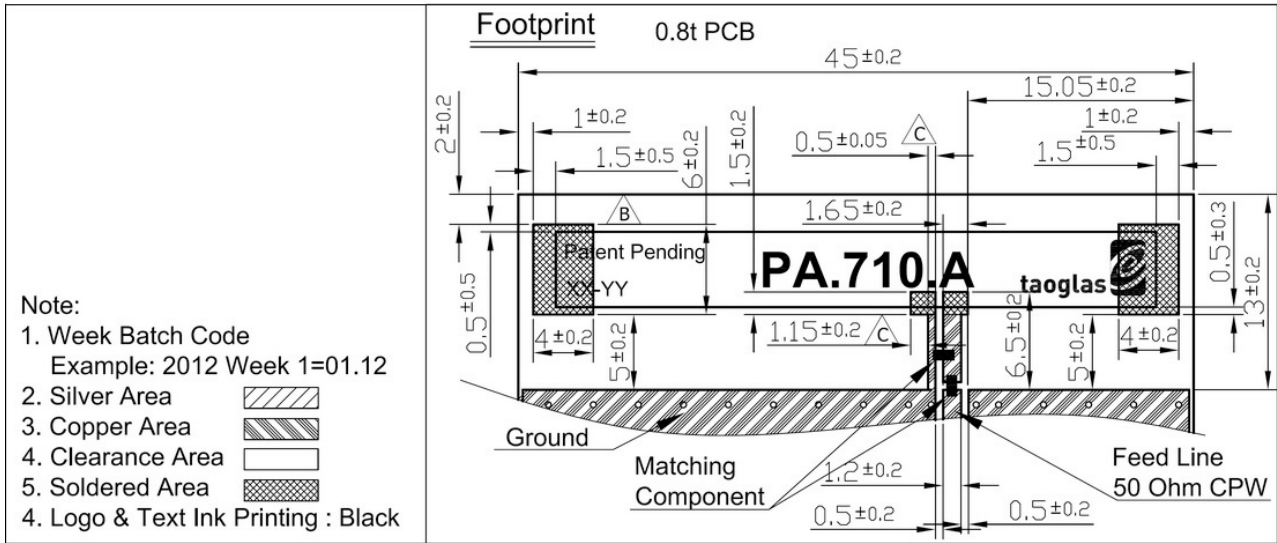
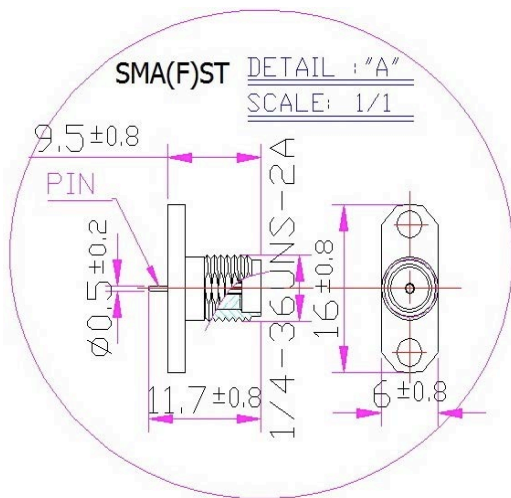
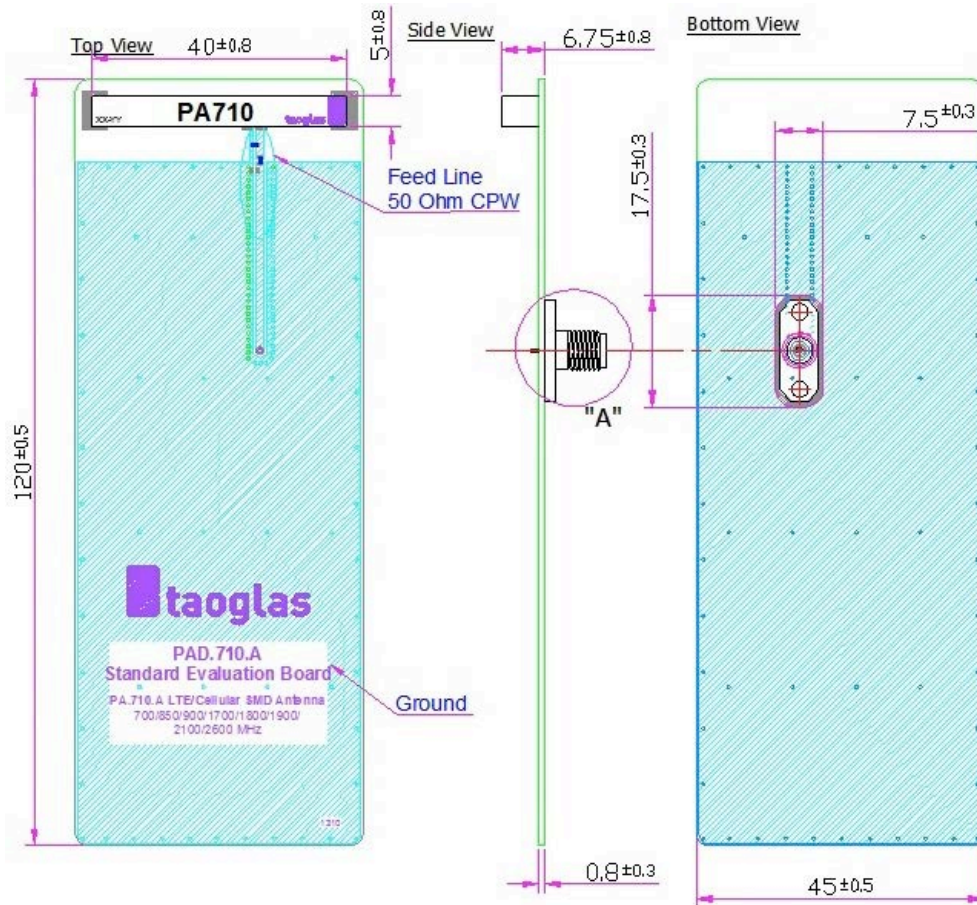


Figure 15. Layout dimensions of the Warrior PA710 Antenna

7. EVB Dimensions



NOTE:




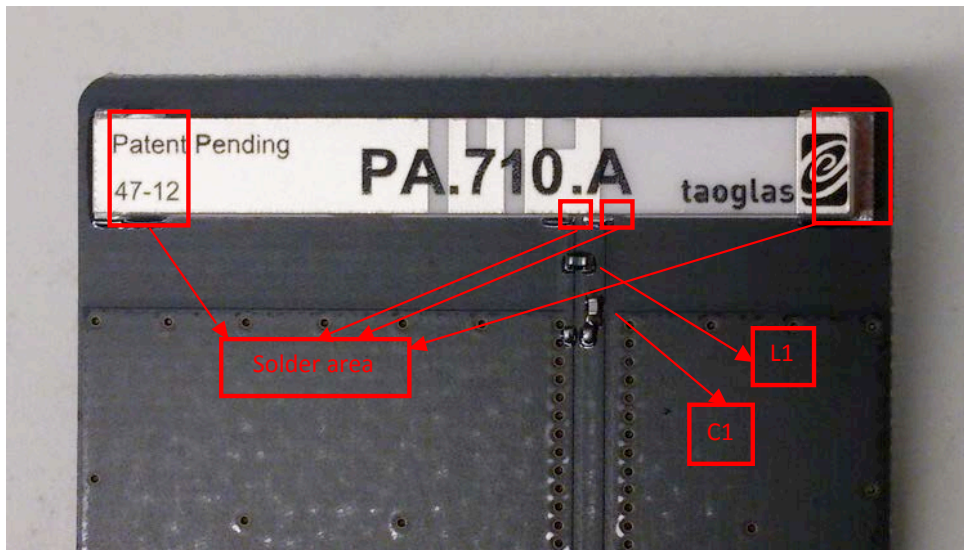
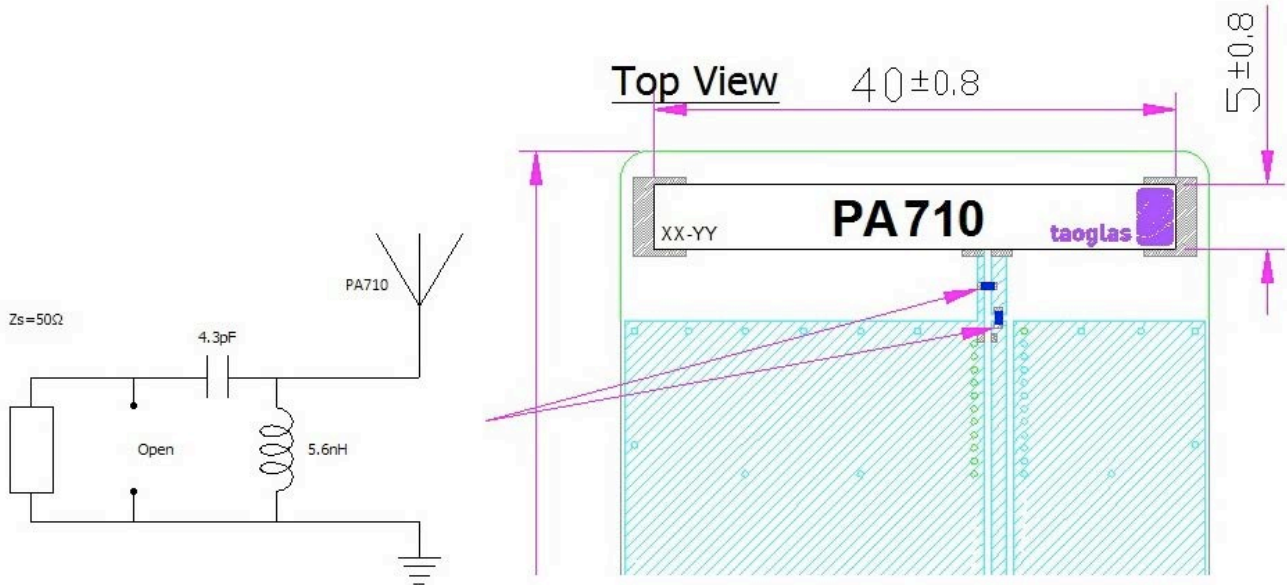
1. Week Batch Code
Example: 2010 Week 1=01.10
2. Soldered Area 
3. Copper Area 
4. Logo & Text Ink Printing : Black
5. Ground Clearance Area 

Figure 16. EVB Dimensions of the Warrior PA710.

8. Matching Circuit



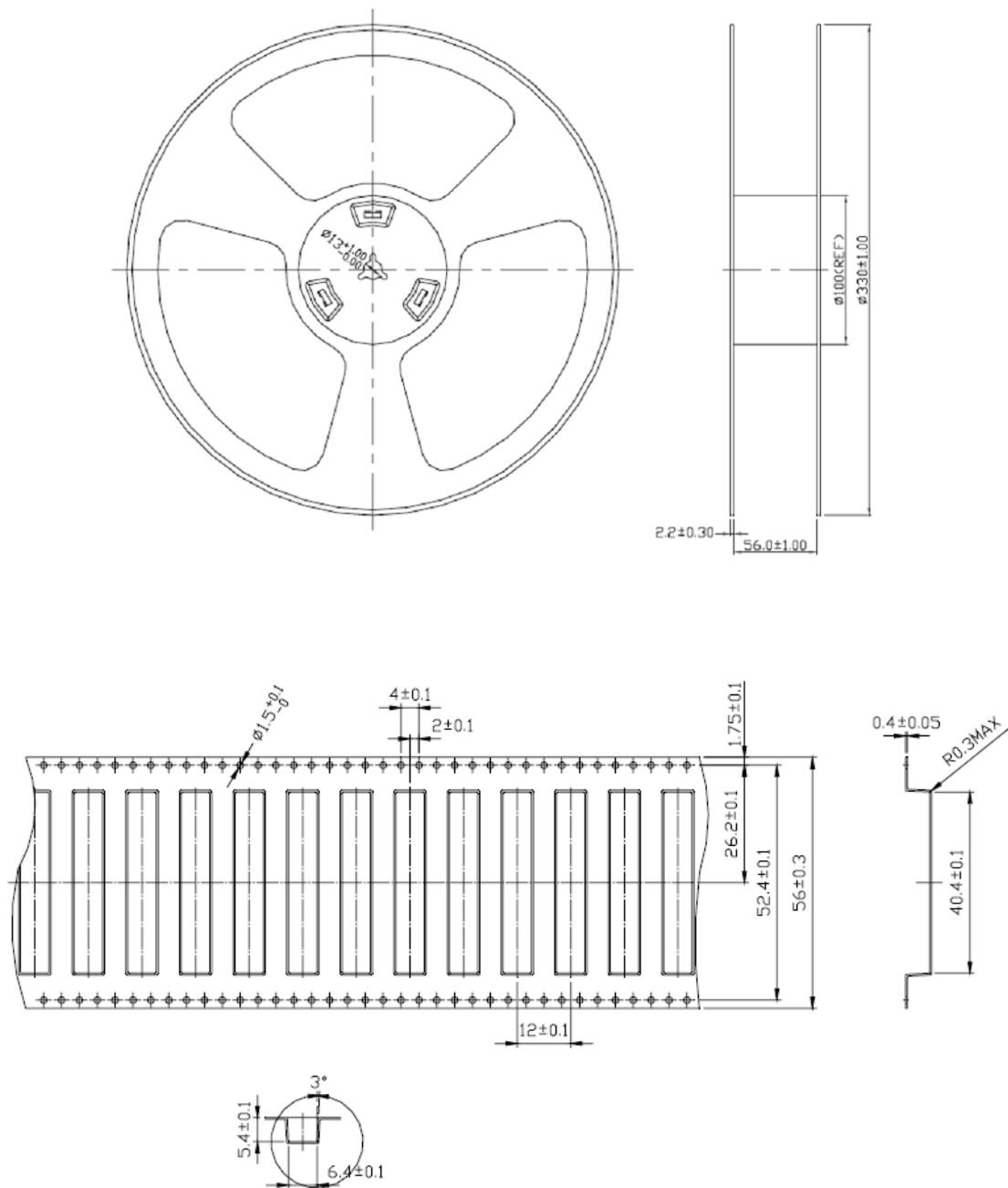
| Circuit Symbol | Size | Description |
|----------------|------|--------------------------------------|
| L1 | 0402 | 5.6nH inductor (LQG15HS5N6S02D) |
| C1 | 0402 | 4.3pF Capacitor (GRM1555C1H4R3CA01D) |

Figure 17. Recommended matching circuit

9. Packaging

Blister tape to IEC 286-3, Polyester

Pieces / Tape = 450



10. Recommended Reflow Temperature Profile

The PA.710 can be assembled following either Sn-Pb or Pb-Free assembly processes. The recommended soldering temperatures are as follows:

| Phase | Profile Features | Sn-Pb Assembly | Pb-Free Assembly (SnAgCu) |
|------------------------------------|--|----------------------------------|----------------------------------|
| Ramp-Up | Avg Ramp-Up Rate (T _{smax} to T _P) | 3°C/second (max) | 3°C/second (max) |
| Preheat | Temperature Min (T _{smin}) Temperature Max (T _{smax}) Time (t _{smin} to t _{smax}) | 100°C 150°C 60-120 seconds | 100°C 150°C 60-120 seconds |
| Reflow | Temperature (T _L) Total Time Above T _L b(t _L) | 183°C 60-150 seconds | 217°C 60-150 seconds |
| Peak | Temperature (T _p) Time (t _p) | 235°C 10-30 seconds | 260°C 20-40 seconds |
| Ramp-Down | Rate | 6°C/second (max) | 6°C/second (max) |
| Time from 25°C to peak Temperature | | 6 minutes max | 8 minutes max |

Temperature profile - (green area) for the assembly process in reflow ovens

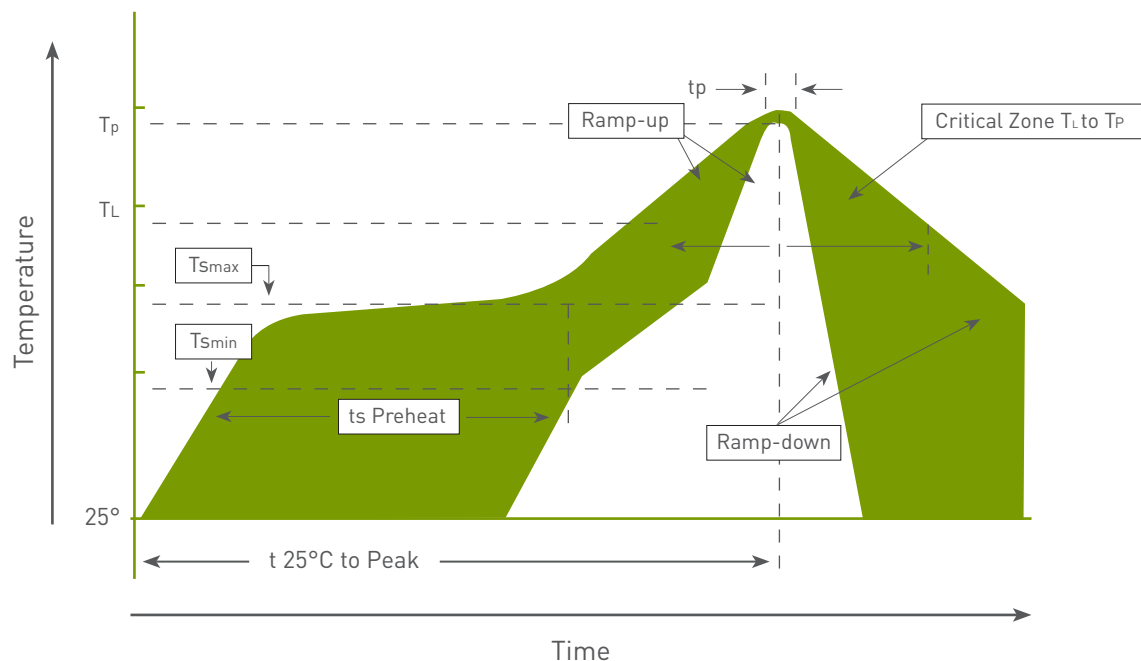


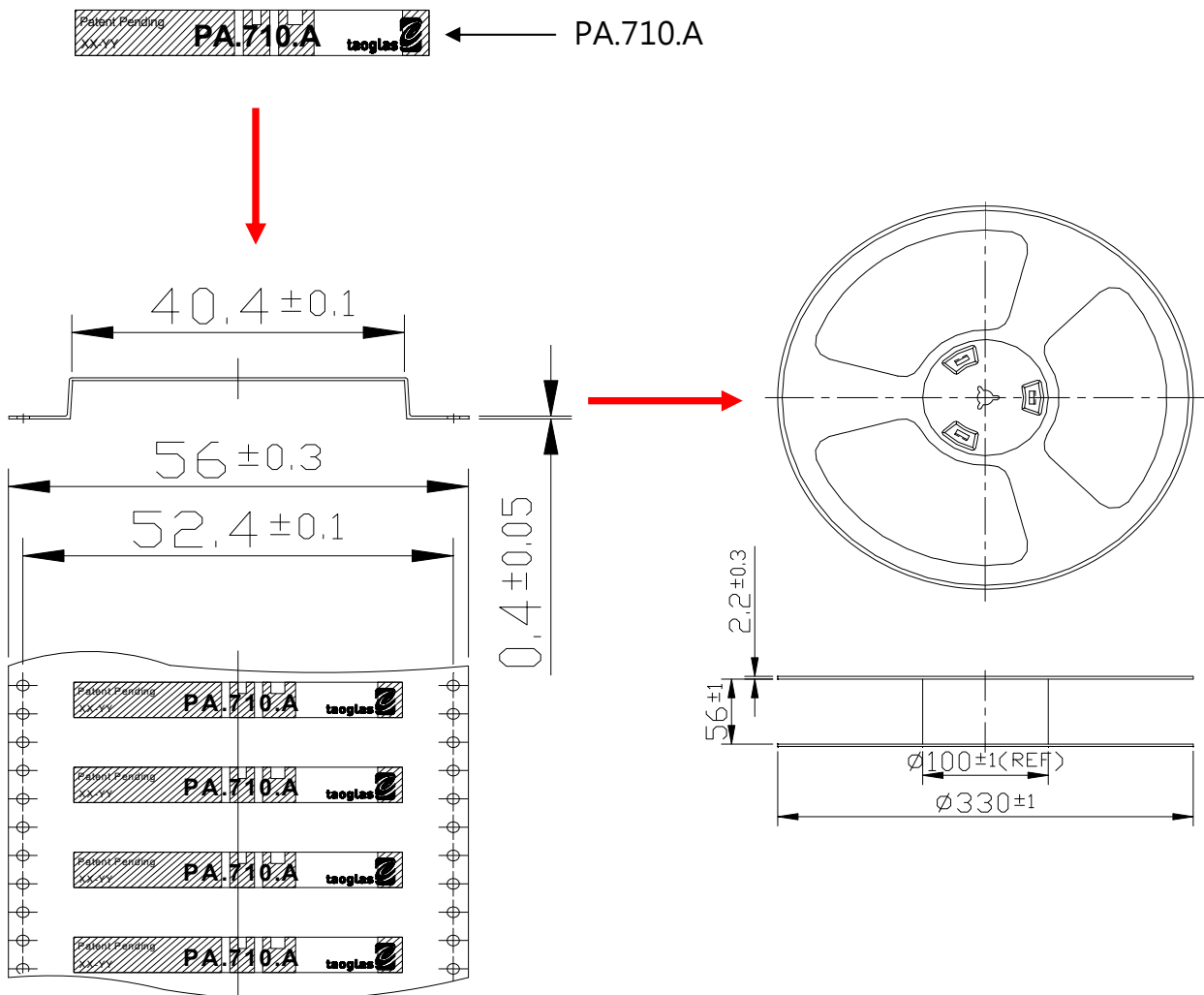
Figure 18. Temperature profile for the assembly process in reflow ovens

11. Packaging

450 Pieces per reel

Shrink line PE bag no push antenna and neat

Each one PE bags quantity not deficient



Taoglas makes no warranties based on the accuracy or completeness of the contents of this document and reserves the right to make changes to specifications and

product descriptions at any time without notice. Taoglas reserves all rights to this document and the information contained herein.

Reproduction, use or disclosure to third parties without express permission is strictly prohibited.
Copyright © Taoglas Ltd.