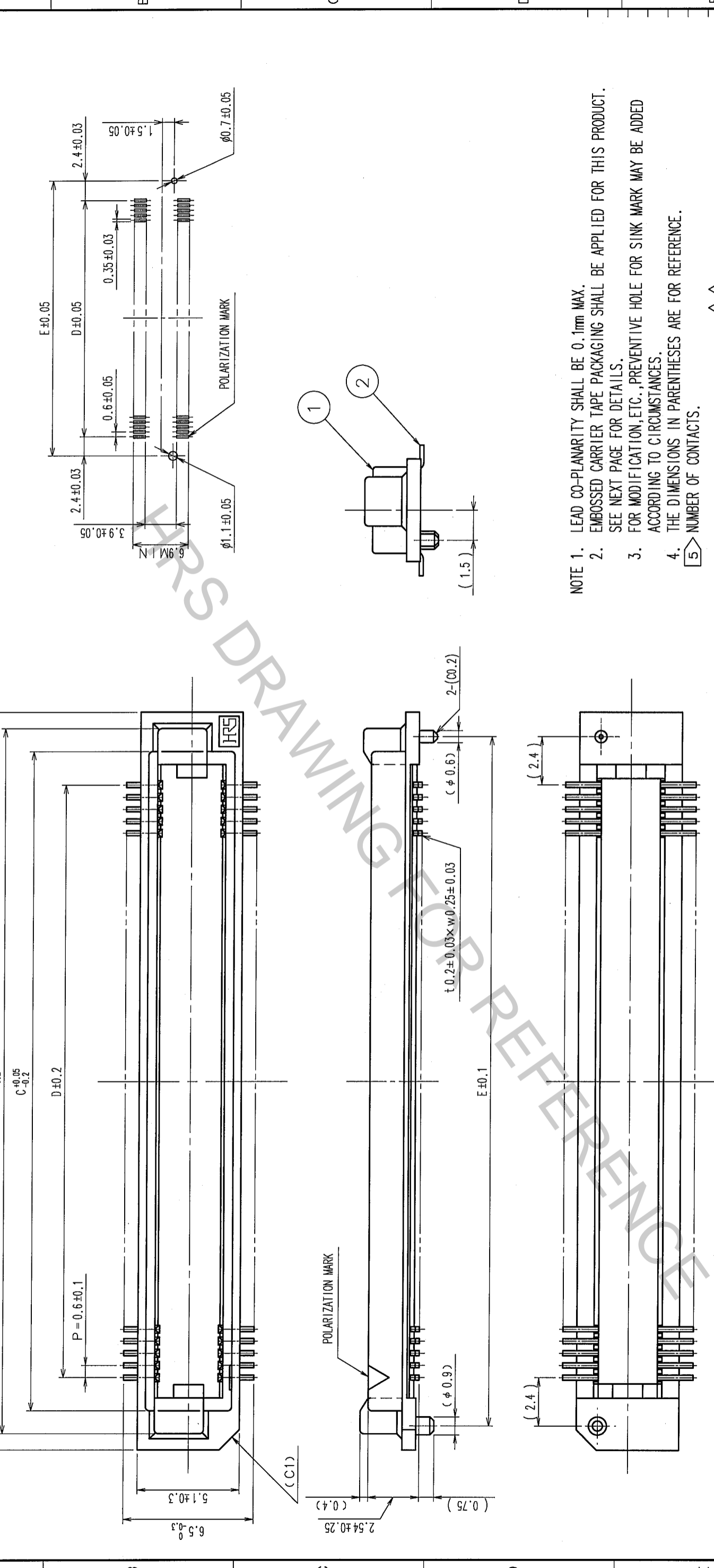


| COUNT | DESCRIPTION OF REVISIONS | BY | CHKD | DATE | COUNT | DESCRIPTION OF REVISIONS | BY | CHKD | DATE |
|-------|--------------------------|-----|------|----------|-------|--------------------------|----|------|------|
| 3 | RE-F-09671 | K.N | H.Y | 04.04.08 | | | | | |
| 1 | DIS-F-000293 | K.D | H.O | 05.02.28 | | | | | |

RECOMMENDED LAND PATTERN DIMENSION OF P.C.B. (MOUNTING SIDE)



| NO. | MATERIAL | FINISH, REMARKS | NO. | MATERIAL | FINISH, REMARKS |
|-----|----------|-----------------------|-----|-----------------|-----------------|
| 1 | PPS | LIGHT BROWN (UL94V-0) | 2 | PHOSPHOR BRONZE | |

| CONTACT AREA: GOLD | LEAD AREA: GOLD FLASH | UNDER PLATING: NICKEL | FINISH, REMARKS |
|--------------------|-----------------------|-----------------------|-----------------|
| 0.1μm min. | | 0.5μm min. | |

| CODE NO. (OLD) | CL | DRAWN | DESIGNED | CHECKED | APPROVED | RELEASED |
|----------------|----|-----------|-------------|----------|--------------|----------|
| | | S. SUZUKI | K. NAKAMURA | H. OKAWA | Y. YOSHIMURA | |
| | | 03.03.06 | 03.03.06 | 03.03.06 | 03.03.06 | |

| DRAWING NO. | PART NO. |
|----------------|-----------------|
| EDC3-150726-22 | FX8-**-P-SV(92) |

| SCALE | UNITS | CODE NO. |
|-------|-------|----------|
| FREE | mm | CL578 |

DIMENSION TABLE OF CONNECTOR AND P.C.B. LAND PATTERN.

| PART No. | CODE No. | A | B | C | D | E |
|-----------------|-----------------|-----|------|----|------|------|
| FX8-60P-SV(92) | CL578-0001-6-92 | 60 | 24.6 | 23 | 20.7 | 17.4 |
| FX8-80P-SV(92) | CL578-0003-1-92 | 80 | 30.6 | 29 | 26.7 | 23.4 |
| FX8-90P-SV(92) | CL578-0004-4-92 | 90 | 33.6 | 32 | 29.7 | 26.4 |
| FX8-100P-SV(92) | CL578-0005-7-92 | 100 | 36.6 | 35 | 32.7 | 29.4 |
| FX8-120P-SV(92) | CL578-0006-0-92 | 120 | 42.6 | 41 | 38.7 | 35.4 |
| FX8-140P-SV(92) | CL578-0007-2-92 | 140 | 48.6 | 47 | 44.7 | 41.4 |

- NOTE 1. LEAD CO-PLANARITY SHALL BE 0.1mm MAX.
 2. EMBOSSED CARRIER TAPE PACKAGING SHALL BE APPLIED FOR THIS PRODUCT. SEE NEXT PAGE FOR DETAILS.
 3. FOR MODIFICATION, ETC., PREVENTIVE HOLE FOR SINK MARK MAY BE ADDED ACCORDING TO CIRCUMSTANCES.
 4. THE DIMENSIONS IN PARENTHESES ARE FOR REFERENCE.
 [5] NUMBER OF CONTACTS.

| | |
|-----|--|
| TO | |
| PCK | |

