



SWING HANDLE - METAL HANDLE WITH NYLON BODY



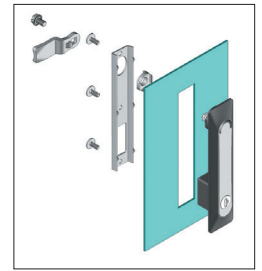
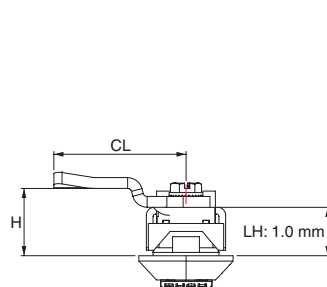
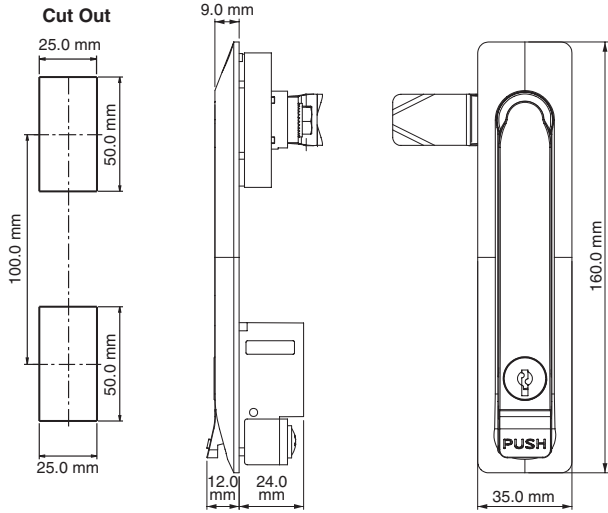
*Example with cam.
Cam sold separately.

Specifications

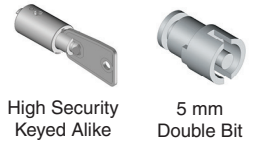
- Material:
Body: Zinc Alloy (Zamak) DIN-EN 1774-ZnAl4Cu1 or PA6 GFR 30
Handle: Zinc Alloy (Zamak) DIN-EN 1774-ZnAl4Cu1
Cam: Steel or PA6 GFR 30
Seal: Polyurethane

Features

- Swing handle with push button
- Standard cut out
- Ultra low external profile, just 9.0 mm to give flush appearance
- Applications: Electric panels, machinery covers, rack enclosures

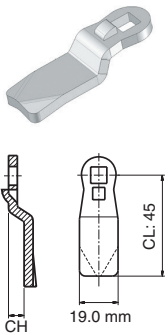


Driver/Head Styles



Item Number			
Handle / Body Finish			
Black / Black	Chrome / Black	Driver or Cylinder	Cam
908-12-20-00-00	—	None	Select Cam Below
908-12-20-07-00	908-11-20-07-00	CH751	Select Cam Below
908-12-20-15-00	908-11-20-15-00	5mm Double bit	Select Cam Below
908-12-20-20-00	908-11-20-20-00	High-Security	Select Cam Below

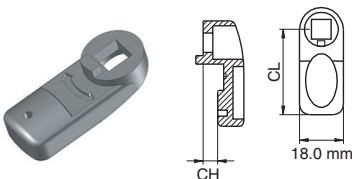
Steel Cam



Item Number	CH (mm)	CL (mm)	H (mm)
30403033	0.0	45.0	18.5
30403439	1.0	45.0	19.5
30403159	2.0	45.0	20.5
30403063	3.0	45.0	21.5
30403149	4.0	45.0	22.5
30403160	6.0	45.0	24.5
30403161	8.0	45.0	26.5
30403162	10.0	45.0	28.5
30403045	12.0	45.0	30.5
30403163	14.0	45.0	32.5
30403151	16.0	45.0	34.5

Item Number	CH (mm)	CL (mm)	H (mm)
30403165	18.0	45.0	36.5
30403166	20.0	45.0	38.5
30403167	22.0	45.0	40.5
30403168	24.0	45.0	42.5
30403169	-2.0	45.0	16.5
30403170	-4.0	45.0	14.5
30403171	-6.0	45.0	12.5
30403172	-8.0	45.0	10.5
30403173	-10.0	45.0	8.5
30403174	-12.0	45.0	6.5
30403175	-14.0	45.0	4.5

Nylon Cam



Item Number	CH (mm)	CL (mm)	H (mm)
30402004	0.0	35.0	18.5
30402011	0.0	25.0	18.5
30402005	6.0	35.0	24.5
30402008	4.0	45.0	22.5
30402013	-4.0	45.0	14.5