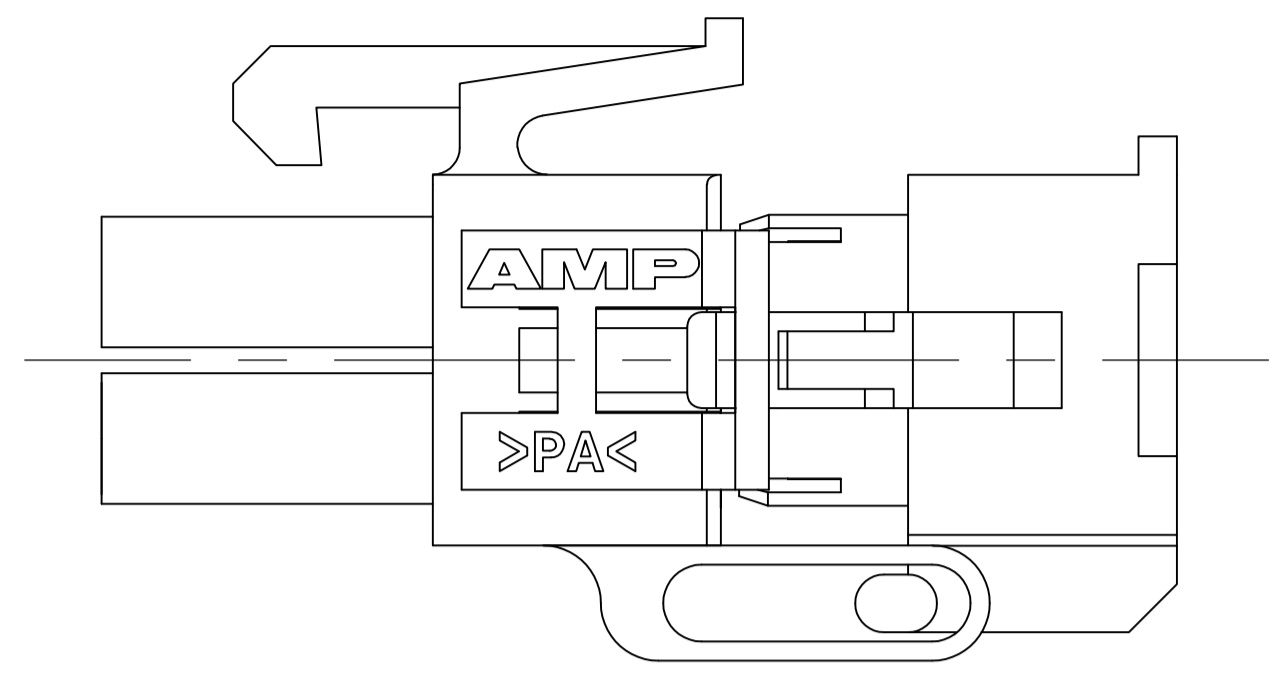
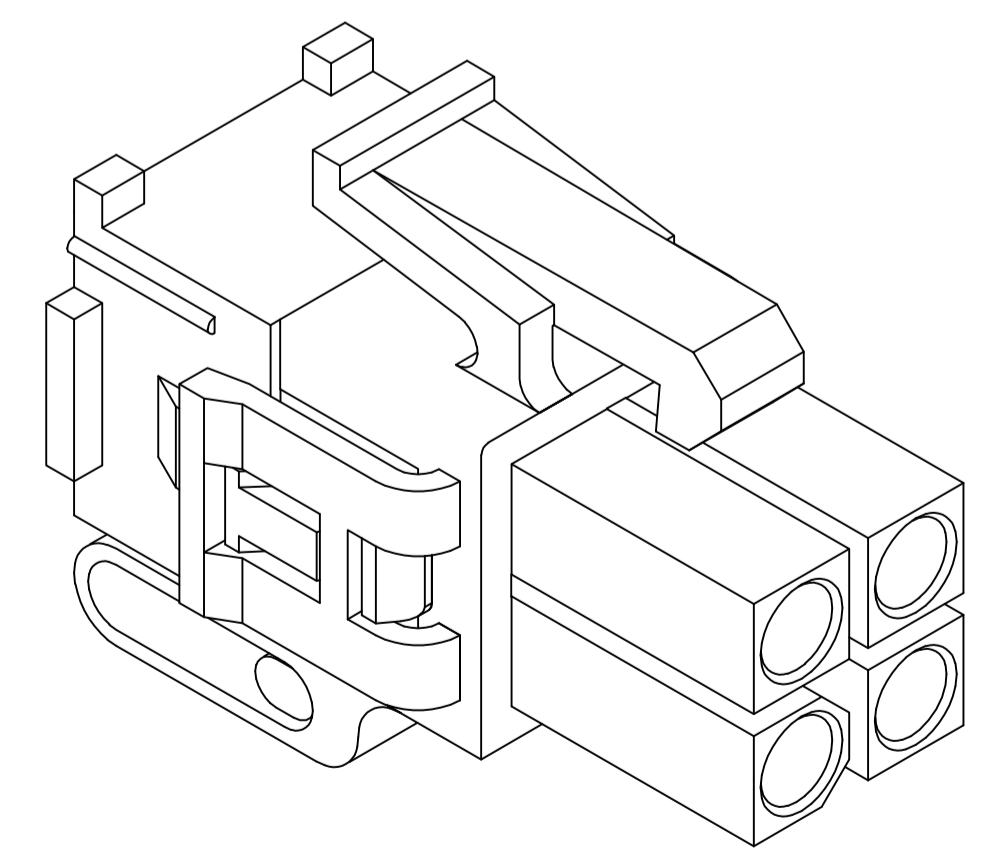
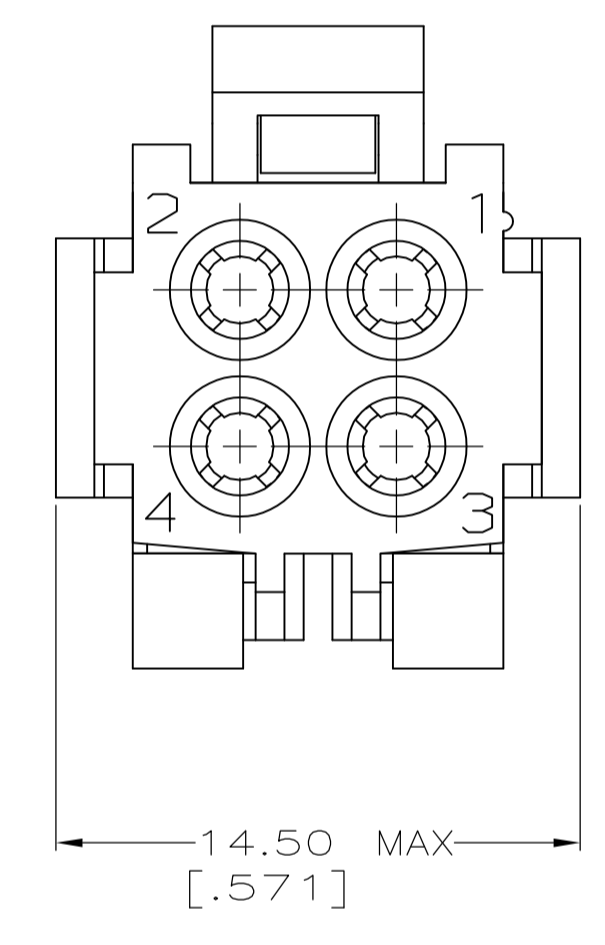
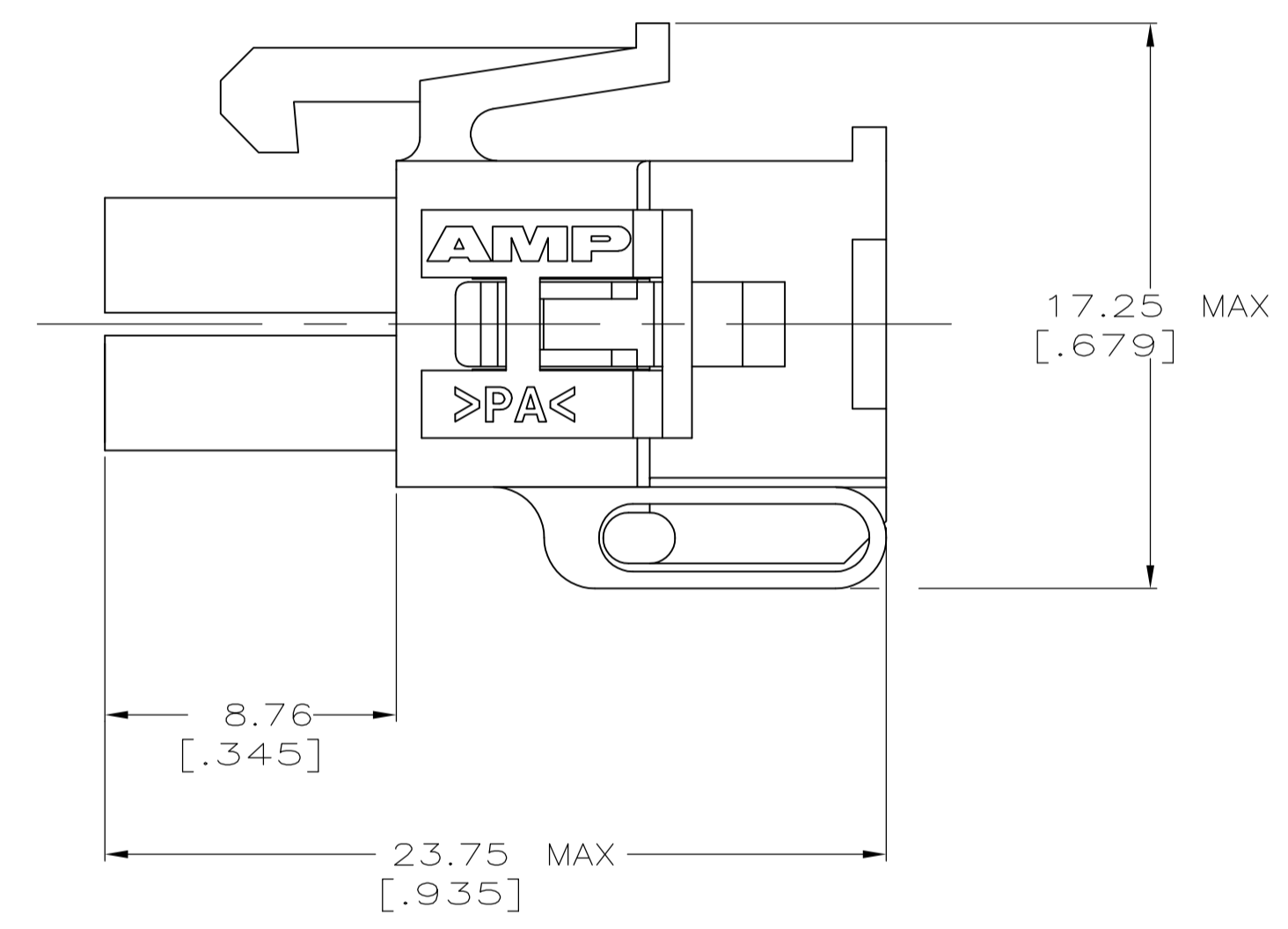
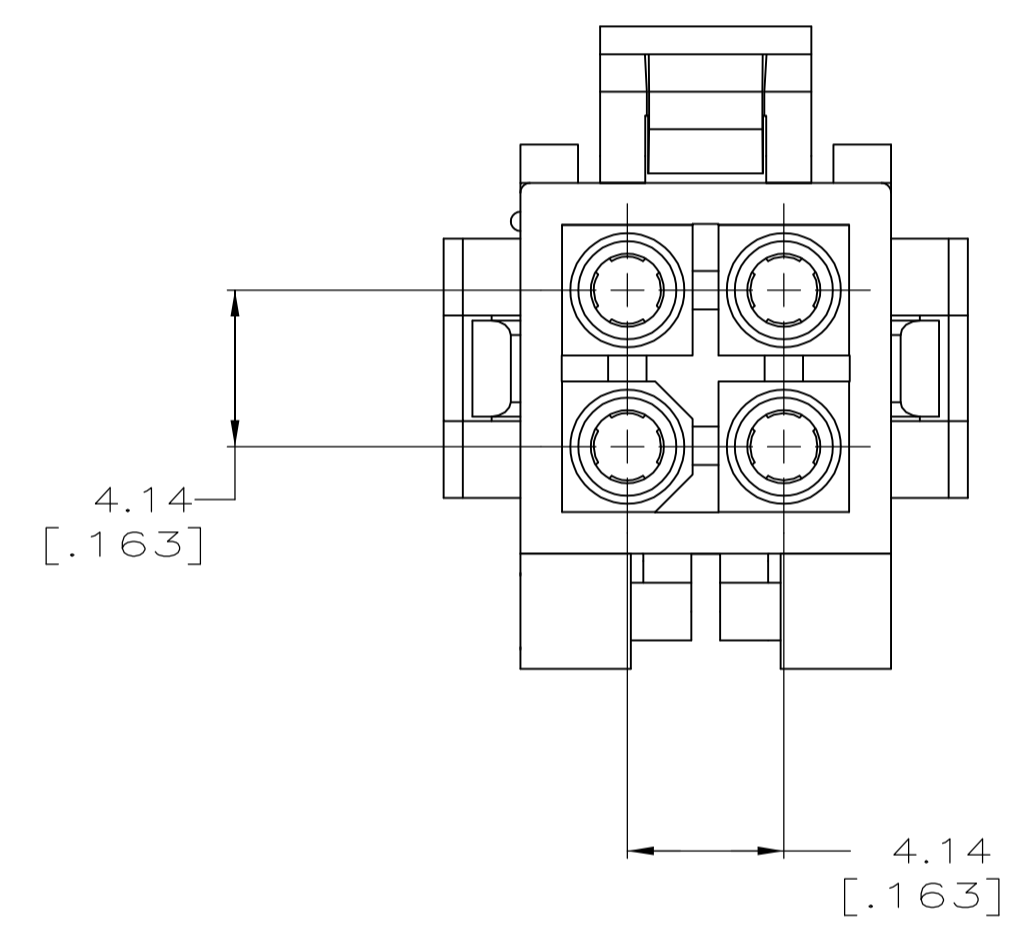


LOC		DIST		REVISIONS			
P	LTR	DESCRIPTION	DATE	DWN	APVD		
C		REVISED PER ECO-10-005348	12MAR10	HMR	MS		



PRE-STAGED CONDITION

- 1 DIMENSIONS IN BRACKETS ARE IN INCHES.
- 2 THIS PRODUCT IS MOISTURIZED WHEN PACKAGED. DO NOT OPEN PACKAGING UNTIL TIME OF USE AND ALWAYS RESEAL UNUSED PORTION IMMEDIATELY AFTER USE.



3-DIMENSIONAL MODEL
NTS

794188-1
PART NUMBER

THIS DRAWING IS A CONTROLLED DOCUMENT.		DWN K. WHITAKER 5-12-97	Tyco Electronics Tyco Electronics Corporation Harrisburg, PA 17105-3608
DIMENSIONS: mm		CHK R. SWING 5-12-97	
TOLERANCES UNLESS OTHERWISE SPECIFIED:		APP'D R. ORSTAD 5-12-97	NAME R. ORSTAD
0. PLC ± -		PRODUCT SPEC	
1. PLC ± -		APPLICATION SPEC	
2. PLC ± 0.13[.005]		SIZE A1	
3. PLC ± -		CAGE CODE C=794188	
4. PLC ± -		DRAWING NO 00779	
ANGLES ± 0.30°		RESTRICTED TO	
FINISH -		WEIGHT -	
MATERIAL NYLON UL 94V-0, NATURAL		CUSTOMER DRAWING	

METRIC